



Artisan Technology Group is your source for quality new and certified-used/pre-owned equipment

- FAST SHIPPING AND DELIVERY
- TENS OF THOUSANDS OF IN-STOCK ITEMS
- EQUIPMENT DEMOS
- HUNDREDS OF MANUFACTURERS SUPPORTED
- LEASING/MONTHLY RENTALS
- ITAR CERTIFIED SECURE ASSET SOLUTIONS

SERVICE CENTER REPAIRS

Experienced engineers and technicians on staff at our full-service, in-house repair center

*InstraView*SM REMOTE INSPECTION

Remotely inspect equipment before purchasing with our interactive website at www.instraview.com ↗

WE BUY USED EQUIPMENT

Sell your excess, underutilized, and idle used equipment. We also offer credit for buy-backs and trade-ins. www.artisanng.com/WeBuyEquipment ↗

LOOKING FOR MORE INFORMATION?

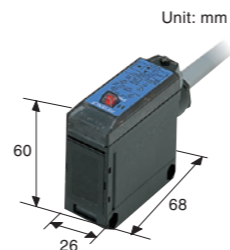
Visit us on the web at www.artisanng.com ↗ for more information on price quotations, drivers, technical specifications, manuals, and documentation

Contact us: (888) 88-SOURCE | sales@artisanng.com | www.artisanng.com

Multi-voltage Power Supply Photoelectric Sensors PW Series

Ultra-small sensor head

All PW Series sensors have a long-detecting distance: 1 m for the diffuse-reflective type, 5 m for the retro-reflective type, and 10 m for the thru-beam type. The powerful light beam allows stable sensor operation even in dusty environments.

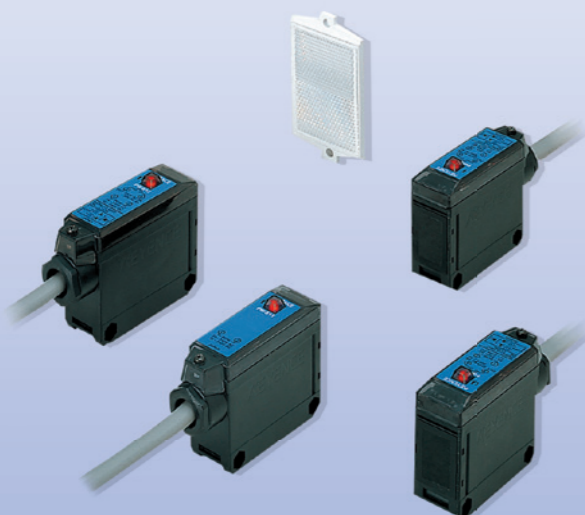


Multi-mode timer (Models: PW-41J/51J/61J)

The output time for models equipped with a timer can be set within a range of 0.1 to 5 seconds. The timer operates in three ways: ON-delay mode, OFF-delay mode, and One-shot mode.

Slit plate enhances detection accuracy

The thru-beam types (PW-51 and PW-51J) are equipped with a slit plate that reduces the light to a narrow beam. This allows an object as small as 3 x 6 mm to be detected from a distance of 1.5 m. A narrow beam has other advantages, including maintaining a constant detection, and preventing interference when 2 or more sensors are installed in parallel.



Features

- Long detecting distance
- AC/DC multi-power supply
- Powerful light beam
- Multi-mode timer

Expert Engineering Sites

www.sensorcentral.com



An on-line guide of automation knowledge and techniques

Lineup

Type	Appearance	Detecting distance	Timer mode	Model
Thru-beam		10 m ¹	— 0.1 to 5 s	PW-51 PW-51J
Retro-reflective		0.1 to 5 m (with R-1)	— 0.1 to 5 s	PW-61 PW-61J
Diffuse-reflective		1 m	— 0.1 to 5 s	PW-41 PW-41J

1. Opaque materials of 3 x 6 mm with slit plate attached (at detecting distance of 1.5 m)

Specifications

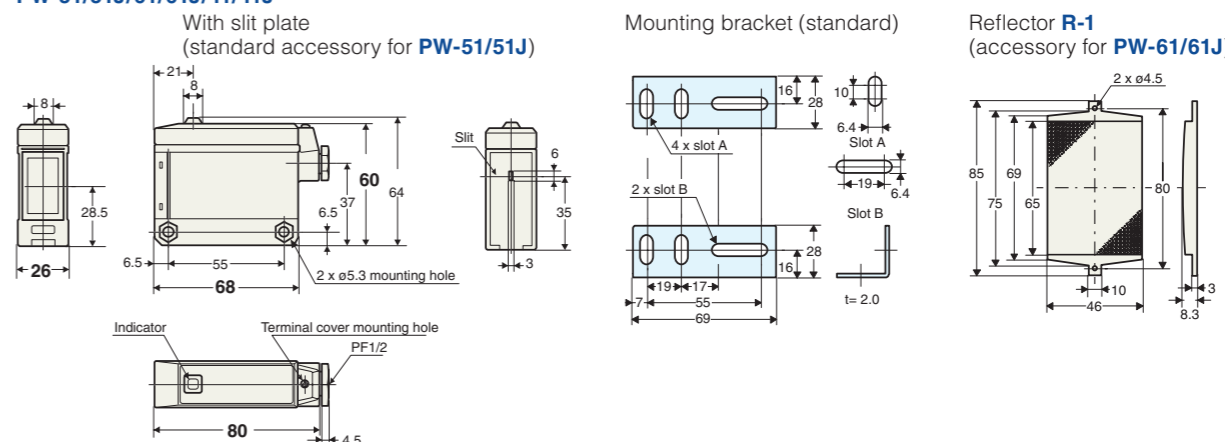
Type	Thru-beam		Retro-reflective		Diffuse-reflective	
Model	PW-51	PW-51J	PW-61	PW-61J	PW-41	PW-41J
Detecting distance	10 m ¹		0.1 to 5 m (with R-1)		1 m (with 200 x 200 mm white mat paper)	
Standard detectable	Opaque materials (15 x 15 mm min.) ¹		Opaque materials (30 x 30 mm min.)		Opaque and transparent materials	
Hysteresis	—		—		20% max. of detecting distance (150 mm min. detecting distance)	
Response time	—		20 ms max.		—	
Light source	—		Infrared LED		—	
Sensitivity adjustment	—		—		1-turn trimmer (240°)	
Operation mode	—		LIGHT-ON/DARK-ON (switch-selectable)		—	
Indicator	—		Output: Red LED, Power: Red LED (thru-beam type only)		—	
Timer mode	—	0.1 to 5 s ²	—	0.1 to 5 s ²	—	0.1 to 5 s ²
Control output	—		SPST-NO relay contact, 250 VAC 3 A max., 30 VDC 3 A max. (resistive load)		—	
Power supply	—		24 to 240 VAC ±10%, 50/60 Hz, 12 to 240 VDC ±10%		—	
Power consumption	3 VA max. (both transmitter and receiver)		—		3 VA max.	
Enclosure rating	—		IP66		—	
Ambient light	—		Incandescent lamp: 5,000 lux max., Sunlight: 20,000 lux max.		—	
Ambient temperature	—		-10 to +60°C, No freezing		—	
Relative humidity	—		35 to 85%, No condensation		—	
Materials	—		Housing: PBT, Lens: acrylic, Terminal cover: Polysulfone		—	
Weight	Transmitter: Approx. 70 g Receiver: Approx. 90 g	Transmitter: Approx. 70 g Receiver: Approx. 95 g	Approx. 95 g	Approx. 100 g	Approx. 95 g	Approx. 100 g

1. Opaque materials of 3 x 6 mm with slit plate attached (at detecting distance of 1.5 m)
2. ON-delay, OFF-delay, and One-shot modes are selectable.

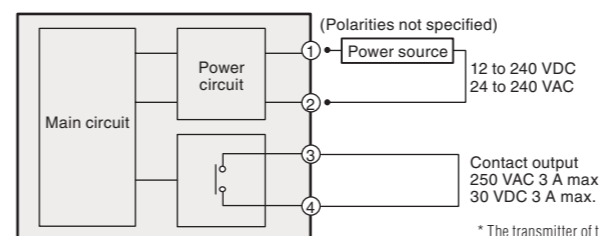
Dimensions

Unit: mm

PW-51/51J/61/61J/41/41J



Input/Output Circuits



* The transmitter of the thru-beam type is provided with power terminals only.

Fibreoptic

Photoelectric

Proximity

Area Sensor

Pressure

Multi Function

High Precision

PLC/Touch Panel

Static Elimination

Vision System

Laser Marker

Barcode

Microscope

PHOTOELECTRIC SELECTION GUIDE

CMOS LASER LV-S/H

COMPACT LASER LV-S/H

RGB COLOUR CZ-V20 CZ

FLUORESCENCE DETECTION UV CZ-H52

LUSTRE DETECTION CZ-H72

HEAVY-DUTY PX

SEPARATE AMP. PS

SELF-CONTAINED PZ-G PZ-V/M PZ2 PZ2-62 PZ-101

AMP-IN-CABLE PQ

MULTI-VOLTAGE PW

PASSAGE PG



Artisan Technology Group is your source for quality new and certified-used/pre-owned equipment

- FAST SHIPPING AND DELIVERY
- TENS OF THOUSANDS OF IN-STOCK ITEMS
- EQUIPMENT DEMOS
- HUNDREDS OF MANUFACTURERS SUPPORTED
- LEASING/MONTHLY RENTALS
- ITAR CERTIFIED SECURE ASSET SOLUTIONS

SERVICE CENTER REPAIRS

Experienced engineers and technicians on staff at our full-service, in-house repair center

*InstraView*SM REMOTE INSPECTION

Remotely inspect equipment before purchasing with our interactive website at www.instraview.com ↗

WE BUY USED EQUIPMENT

Sell your excess, underutilized, and idle used equipment. We also offer credit for buy-backs and trade-ins. www.artisanng.com/WeBuyEquipment ↗

LOOKING FOR MORE INFORMATION?

Visit us on the web at www.artisanng.com ↗ for more information on price quotations, drivers, technical specifications, manuals, and documentation

Contact us: (888) 88-SOURCE | sales@artisanng.com | www.artisanng.com