



Artisan Technology Group is your source for quality new and certified-used/pre-owned equipment

- FAST SHIPPING AND DELIVERY
- TENS OF THOUSANDS OF IN-STOCK ITEMS
- EQUIPMENT DEMOS
- HUNDREDS OF MANUFACTURERS SUPPORTED
- LEASING/MONTHLY RENTALS
- ITAR CERTIFIED SECURE ASSET SOLUTIONS

SERVICE CENTER REPAIRS

Experienced engineers and technicians on staff at our full-service, in-house repair center

*InstraView*SM REMOTE INSPECTION

Remotely inspect equipment before purchasing with our interactive website at www.instraview.com ↗

WE BUY USED EQUIPMENT

Sell your excess, underutilized, and idle used equipment. We also offer credit for buy-backs and trade-ins. www.artisanng.com/WeBuyEquipment ↗

LOOKING FOR MORE INFORMATION?

Visit us on the web at www.artisanng.com ↗ for more information on price quotations, drivers, technical specifications, manuals, and documentation

Contact us: (888) 88-SOURCE | sales@artisanng.com | www.artisanng.com

The V246 is a single-width, C-size, register-based, fully programmable, VXIbus module that provides eight channels of bridge signal conditioning.

It accommodates transducers that represent one, two, or four active arms of a bridge circuit.

APPLICATIONS

Automotive body engineering tests
Automotive safety tests
Rocket engine testing
Wind tunnel data acquisition
Air bag testing
General-purpose bridge measurements
General-purpose temperature measurements

V246

8-channel Bridge Signal Conditioner



A full-featured, high-accuracy, bridge signal conditioner

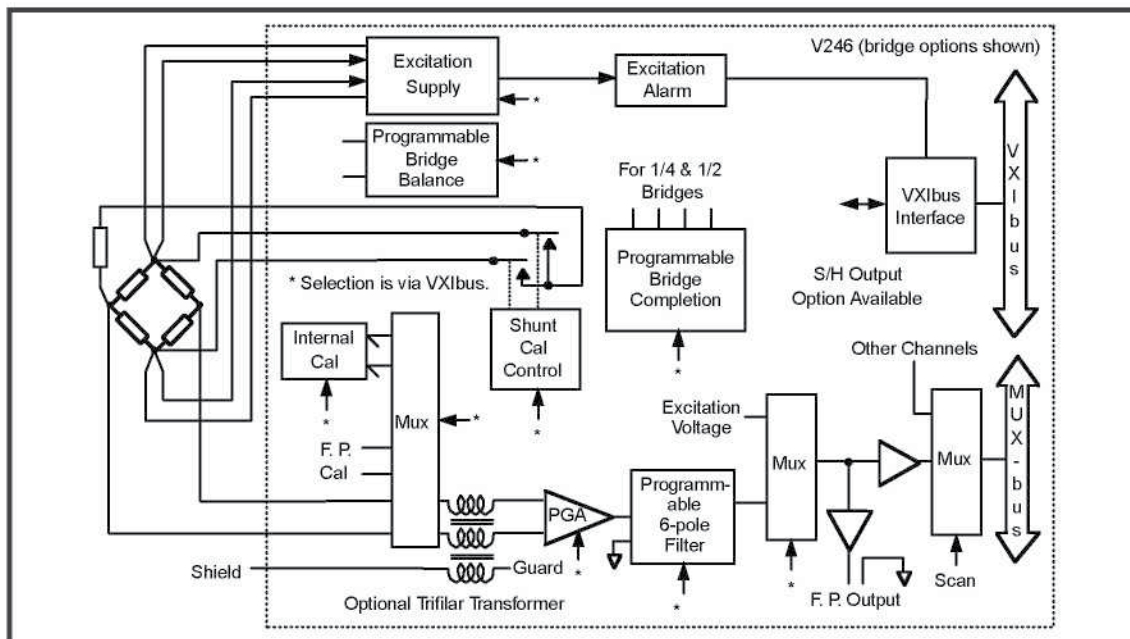
FEATURES

- Bridge completion for one, two, or four active arms using precision Vishay metal-foil resistors; RTD options available
- Programmable shunt calibration and excitation; current monitoring, RTD options
- 6-pole, low-pass filters with programmable cutoff frequency: 20, 200, 1000, or 2000 Hz; or bypass
- Programmable bridge balance
- 10-wire transducer hookups
- Optional simultaneous sampling
- Optional trifilar-wound input transformers provide excellent high-frequency CMRR

GENERAL DESCRIPTION

The V246 is a single-width, C-size, register-based, fully programmable, VXIbus module that provides eight channels of bridge signal conditioning. It accommodates transducers that represent one, two, or four active arms of a bridge circuit. An option is available for 3- or 4-wire RTDs. This module is intended for use as a front-end signal conditioner for the KineticSystems V207 and V208 ADC Subsystem modules, as well as with other VXIbus-based converter products. This combination permits the digitization of properly conditioned inputs from high-frequency strain gages, RTDs and other bridge-type sensors. No intermodule wiring is necessary since this module is fully compatible with the KineticSystems MUX-bus™.

The V246 Signal Conditioner provides bridge completion, excitation, anti-aliasing filtering, and amplification for bridge-type inputs. It contains provisions for 2-point shunt calibration, automatic voltage and excitation calibration, as well as excitation alarms. Bridge offsets of up to 70 mV may be nulled with a 12-bit DAC current source. Each channel may be programmed independently. A removable termination housing is available for convenient wiring of sensor leads. The V246 supports both static and dynamic configuration. It may be accessed using A24/A16, D16 data transfers.



Item	Specification
Inputs Number of channels Impedance Input protection	Eight differential channels 20 M Ω minimum, >100 M Ω typical ± 35 V, continuous
Gain Ranges	1, 2, 5, 10, 20, 50, 100, 200, 500, 1000
Frequency Response Filter type Cutoff frequencies	6-pole, Bessel or Chebyshev 20, 200, 1000 or 2000 Hz, programmable The filter may be bypassed for an extended frequency response to a -3dB point of 20 kHz.
Excitation - Bridge Options Line regulation Load regulation Temperature Coefficient	Independent excitation for each channel. Each channel provides +/- excitation and sense leads. Excitation voltages of 0 V, 2.5 V, 5 V, 10 V and 15 V are available. Open sense lines or an over-current condition will shut down the supply automatically and signal the error condition. Excitation calibration is also provided. 0.003 %/V 0.00025 V/mA 2 ppm/ $^{\circ}$ C
Excitation - RTD Options Temperature Coefficient	Independent excitation for each channel. Each voltage excitation source monitors the voltage across a precision resistor in series with each RTD, producing a precision current source. Currents of 400 or 800 μ A can be selected. The voltage across the series resistor can be measured to determine the exact current. 10ppm/ $^{\circ}$ C
Bridge Completion (bridge options)	Eight channels of bridge completion are provided. 1/4-, 1/2- and full-bridge configurations are supported. A matched pair of 120 Ω or 350 Ω resistors are provided for 1/4-bridge completion.
Shunt Calibration (bridge options)	+/- shunt calibration is performed on each channel. The customer supplied resistors are installed in the termination assembly. Switching is performed under software control.
Gain/Offset Accuracy	Referred to input (RTI), after automatic calibration: Accuracy Gain 1 $\pm(200 \mu\text{V} + 0.002\%$ of reading) 2 $\pm(200 \mu\text{V} + 0.002\%$ of reading) 10 $\pm(100 \mu\text{V} + 0.002\%$ of reading) 500 $\pm(5 \mu\text{V} + 0.01\%$ of reading) 1000 $\pm(5 \mu\text{V} + 0.01\%$ of reading)
Gain Stability	Better than 20 ppm/ $^{\circ}$ C (typical)
Offset Voltage Stability	Less than 2 $\mu\text{V}/^{\circ}$ C RTI at a gain of 1000
Noise	Less than 5 μV RTI at a gain of 1000 0.5 μV rms RTI (typical) @ gain = 1000 and 20 Hz filter
Linearity	Better than 0.005% FSR
CMRR	Typically better than -110 dB, dc to 120 Hz. Optional trifilar-wound inputs provide excellent RF rejection to 100 MHz.
Bridge Balance (bridge options)	A 12-bit DAC provides the ability to remove bridge offsets of up to ± 70 mV with a 350 Ω bridge.
I/O Connector Type	68P High Density
Power Requirements +5V +12V -12 V +24 V -24 V	3 A 200 mA 200 mA 350 mA 350 mA
Environmental and Mechanical Temperature range Operational Storage Relative humidity Cooling requirements Dimensions Front-panel potential	0 $^{\circ}$ C to 50 $^{\circ}$ C -25 $^{\circ}$ C to + 75 $^{\circ}$ C 0 to 85% non-condensing to 40 $^{\circ}$ C 10CFM 340 mm x 233.35 mm x 30.48 mm (C-size VXIbus) Chassis ground



RELATED PRODUCTS

- Model V207 16-bit, 500,000 Sample/second ADC Subsystem
- Model V208 16-bit, 100,000 Sample/second ADC Subsystem
- Model 5868-Bxyz Cable—68S High Density to Unterminated
- Model 5868-Fxyz Cable—68P/68S High Density for V246 to V765
- Model V750-ZA11 Termination Assembly for V246
- Model V765-ZA11 Rack-mount Termination Panel
- Model P200-246A Simultaneous Sampling Factory Upgrade for V246

ORDERING INFORMATION

MODEL	DESCRIPTION
V246-wxy2	8-channel Bridge Signal Conditioner
w: Filter type B = 6-pole Bessel K = 6-pole Chebyshev x: Front-end options Bridge Completion Trifilar Transformers A None Provided B 120 Ω Provided C 350 Ω Provided D None Not provided E 120 Ω Not provided F 350 Ω Not provided G RTD Provided (V246-wGy3) H RTD Not Provided (V246-wHy3) y: Simultaneous sampling options A = without simultaneous sampling B = with simultaneous sampling Example: A Model V246 8-channel Bridge Signal Conditioner module with 6-pole Bessel filters, trifilar-wound input trans formers, 350 D. bridge completion resistors, and simultaneous sampling would be ordered as: V246-BCB2.	

Example: A Model V246 8-channel Bridge Signal Conditioner module with 6-pole Bessel filters, trifilar-wound input trans formers, 350 D. bridge completion resistors, and simultaneous sampling would be ordered as: V246-BCB2.

Updated October 24, 2005

Copyright © 2005 KineticSystems Company, LLC. All rights reserved.

KineticSystems Company, LLC

900 N. State St.
Lockport, IL 60441-2200

Toll-Free (US and Canada):

phone 1-800-DATA NOW
1-800-328-2669

Direct:

phone +1-815-838-0005
fax +1-815-838-4424

Email:

mkt-info@kscorp.com

To find your local sales representative or distributor or to learn more about KineticSystems' products visit:

www.kscorp.com



Artisan Technology Group is your source for quality new and certified-used/pre-owned equipment

- FAST SHIPPING AND DELIVERY
- TENS OF THOUSANDS OF IN-STOCK ITEMS
- EQUIPMENT DEMOS
- HUNDREDS OF MANUFACTURERS SUPPORTED
- LEASING/MONTHLY RENTALS
- ITAR CERTIFIED SECURE ASSET SOLUTIONS

SERVICE CENTER REPAIRS

Experienced engineers and technicians on staff at our full-service, in-house repair center

*InstraView*SM REMOTE INSPECTION

Remotely inspect equipment before purchasing with our interactive website at www.instraview.com ↗

WE BUY USED EQUIPMENT

Sell your excess, underutilized, and idle used equipment. We also offer credit for buy-backs and trade-ins. www.artisanng.com/WeBuyEquipment ↗

LOOKING FOR MORE INFORMATION?

Visit us on the web at www.artisanng.com ↗ for more information on price quotations, drivers, technical specifications, manuals, and documentation

Contact us: (888) 88-SOURCE | sales@artisanng.com | www.artisanng.com