



## Artisan Technology Group is your source for quality new and certified-used/pre-owned equipment

- FAST SHIPPING AND DELIVERY
- TENS OF THOUSANDS OF IN-STOCK ITEMS
- EQUIPMENT DEMOS
- HUNDREDS OF MANUFACTURERS SUPPORTED
- LEASING/MONTHLY RENTALS
- ITAR CERTIFIED SECURE ASSET SOLUTIONS

### SERVICE CENTER REPAIRS

Experienced engineers and technicians on staff at our full-service, in-house repair center

### *InstraView*<sup>SM</sup> REMOTE INSPECTION

Remotely inspect equipment before purchasing with our interactive website at [www.instraview.com](http://www.instraview.com) ↗

### WE BUY USED EQUIPMENT

Sell your excess, underutilized, and idle used equipment. We also offer credit for buy-backs and trade-ins. [www.artisanng.com/WeBuyEquipment](http://www.artisanng.com/WeBuyEquipment) ↗

### LOOKING FOR MORE INFORMATION?

Visit us on the web at [www.artisanng.com](http://www.artisanng.com) ↗ for more information on price quotations, drivers, technical specifications, manuals, and documentation

**Contact us:** (888) 88-SOURCE | [sales@artisanng.com](mailto:sales@artisanng.com) | [www.artisanng.com](http://www.artisanng.com)

The V253 is a single-width, C-size, register-based, VXIbus module that contains 16 channels of programmable-frequency, low-pass filtering.

Each differential input signal is received by a programmable gain instrumentation amplifier which provides typically -120 dB of common-mode rejection

## APPLICATIONS

Shock/vibration tests  
Rocket engine testing  
Wind tunnel data acquisition

# V253

## 16-channel, Programmable Gain Analog Filter



Provides programmable cutoff frequencies with 6-pole roll-off

## FEATURES

- 16 differential channels
- Programmable gain on all channels
- Optional 6-pole, low-pass filter with program-selectable cutoff frequency: 20, 200, 1000, 2000 Hz; or 20 kHz bypass
- Optional simultaneous sampling
- Output available at front panel or MUX-bus™

### GENERAL DESCRIPTION

The V253 is a single-width, C-size, register-based, VXIbus module that contains 16 channels of programmable-frequency, low-pass filtering. Each differential input signal is received by a programmable gain instrumentation amplifier which provides typically -120 dB of common-mode rejection. Gains of 1, 2, 5, and 10 with multipliers of 1, 10, and 100 are programmable on a channel-by-channel basis.

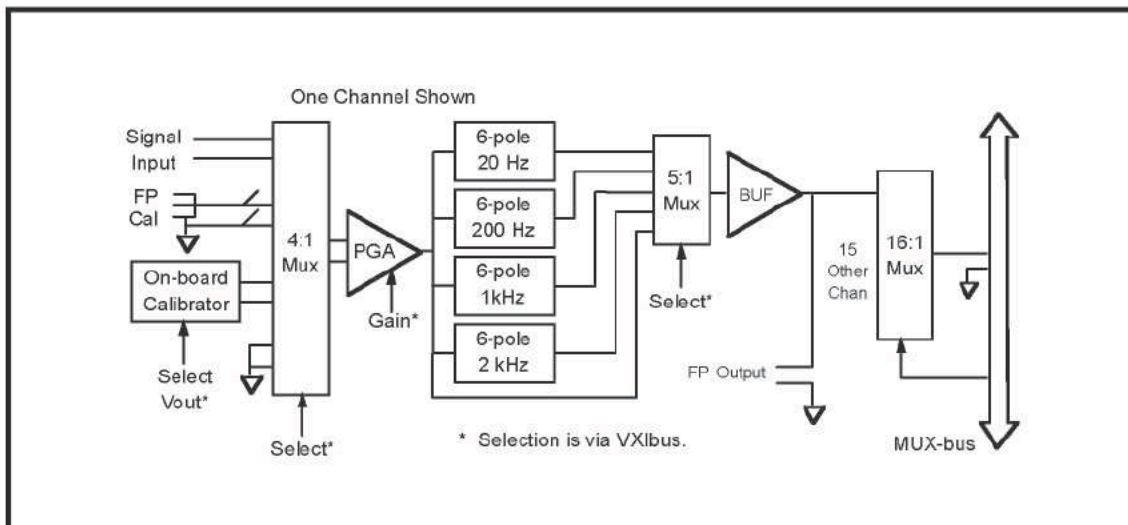
Module options provide low-pass Bessel or Chebyshev filters for all channels. Standard cutoff frequencies of 20 Hz, 200 Hz, 1 kHz, and 2 kHz are programmable on a channel-by-channel basis or may be bypassed.

Please consult the factory regarding the availability of other cutoff frequencies by special order. These filters are also suitable for eliminating extraneous signals (such as 60 Hz noise) or for anti-aliasing.

This filter module is also available with an optional sample/hold amplifier per channel. This option provides for simultaneous sampling of all channels by using the VXIbus trigger lines. Input and output signals appear at the V253 front panel through 68-contact High Density connectors. The differential input signals are brought in via one of these connectors and the filtered output pairs use a second connector. The output signals are also available as four multiplexed channels on the VXI Local Bus, using the KineticSystems MUX-bus™ protocol for the V207 or V208 host ADC.

Calibration inputs are provided via the front panel connector, a mainframe reference from the MUX-bus, or from an on-board reference. A removable termination housing is available for convenient I/O wiring.

The V253 supports both static and dynamic configuration. It may be accessed using A24/A16, D16 data transfers.



Item	Specification																																																		
Inputs Number of channels Impedance Input protection	16 differential input and output 20 MΩ minimum, >100 MΩ typical To ±35 V, continuous																																																		
Gain Ranges	1, 2, 5, 10, 20, 50, 100, 200, 500, 1000																																																		
Frequency Response Filter type Cutoff frequencies	6-pole, Bessel or Chebyshev 20 Hz, 200 Hz, 1 kHz, 2 kHz; programmable The filter may be bypassed for an extended frequency response to a -3 dB point of 20 kHz.																																																		
Gain/Offset Accuracy	(after automatic calibration) <table border="0"> <tr> <td><u>Gain</u></td> <td><u>Accuracy</u></td> </tr> <tr> <td>1</td> <td>±(200 μV + 0.002% of reading)</td> </tr> <tr> <td>2</td> <td>±(200 μV + 0.002% of reading)</td> </tr> <tr> <td>10</td> <td>±(100 μV + 0.002% of reading)</td> </tr> <tr> <td>500</td> <td>±(5 μV + 0.01% of reading)</td> </tr> <tr> <td>1000</td> <td>±(5 μV + 0.01% of reading)</td> </tr> </table>	<u>Gain</u>	<u>Accuracy</u>	1	±(200 μV + 0.002% of reading)	2	±(200 μV + 0.002% of reading)	10	±(100 μV + 0.002% of reading)	500	±(5 μV + 0.01% of reading)	1000	±(5 μV + 0.01% of reading)																																						
<u>Gain</u>	<u>Accuracy</u>																																																		
1	±(200 μV + 0.002% of reading)																																																		
2	±(200 μV + 0.002% of reading)																																																		
10	±(100 μV + 0.002% of reading)																																																		
500	±(5 μV + 0.01% of reading)																																																		
1000	±(5 μV + 0.01% of reading)																																																		
Gain Stability	Better than 20 ppm/°C (typical)																																																		
Offset Voltage Stability	Less than 2 μV/°C RTI at a gain of 1000																																																		
Noise	Less than 5 μV RMS at a gain of 1000																																																		
Linearity	±0.003% FSR maximum																																																		
Outputs Output range Output current Output resistance	±10V 5 mA maximum 100 Ω maximum																																																		
I/O Connector	68P High Density (input) 68S High Density (output)																																																		
Power Requirements	<table border="0"> <tr> <td></td> <td><u>ZAA1</u></td> <td><u>ZAB1</u></td> <td><u>ZAC1</u></td> <td><u>ZBA1</u></td> <td><u>ZBB1</u></td> <td><u>ZBC1</u></td> <td><u>ZCA1</u></td> <td><u>ZCB1</u></td> <td><u>ZCC1</u></td> </tr> <tr> <td></td> <td><u>ZDA1</u></td> <td><u>ZDB1</u></td> <td><u>ZDC1</u></td> <td><u>ZEA1</u></td> <td><u>ZEB1</u></td> <td><u>ZEC1</u></td> <td></td> <td></td> <td></td> </tr> <tr> <td>+5V</td> <td>2.4 A</td> <td>2.4 A</td> <td>2.4 A</td> <td>2.4 A</td> <td>2.4 A</td> <td>2.4 A</td> <td>2.4 A</td> <td>2.4 A</td> <td>2.4 A</td> </tr> <tr> <td>+24 V</td> <td>420 mA</td> <td>500 mA</td> <td>610mA</td> <td>560 mA</td> <td>570 mA</td> <td>680 mA</td> <td>560 mA</td> <td>660 mA</td> <td>760 mA</td> </tr> <tr> <td>-24 V</td> <td>420 mA</td> <td>540 mA</td> <td>630 mA</td> <td>620 mA</td> <td>610 mA</td> <td>780 mA</td> <td>620 mA</td> <td>700 mA</td> <td>780 mA</td> </tr> </table>		<u>ZAA1</u>	<u>ZAB1</u>	<u>ZAC1</u>	<u>ZBA1</u>	<u>ZBB1</u>	<u>ZBC1</u>	<u>ZCA1</u>	<u>ZCB1</u>	<u>ZCC1</u>		<u>ZDA1</u>	<u>ZDB1</u>	<u>ZDC1</u>	<u>ZEA1</u>	<u>ZEB1</u>	<u>ZEC1</u>				+5V	2.4 A	2.4 A	2.4 A	2.4 A	2.4 A	2.4 A	2.4 A	2.4 A	2.4 A	+24 V	420 mA	500 mA	610mA	560 mA	570 mA	680 mA	560 mA	660 mA	760 mA	-24 V	420 mA	540 mA	630 mA	620 mA	610 mA	780 mA	620 mA	700 mA	780 mA
	<u>ZAA1</u>	<u>ZAB1</u>	<u>ZAC1</u>	<u>ZBA1</u>	<u>ZBB1</u>	<u>ZBC1</u>	<u>ZCA1</u>	<u>ZCB1</u>	<u>ZCC1</u>																																										
	<u>ZDA1</u>	<u>ZDB1</u>	<u>ZDC1</u>	<u>ZEA1</u>	<u>ZEB1</u>	<u>ZEC1</u>																																													
+5V	2.4 A	2.4 A	2.4 A	2.4 A	2.4 A	2.4 A	2.4 A	2.4 A	2.4 A																																										
+24 V	420 mA	500 mA	610mA	560 mA	570 mA	680 mA	560 mA	660 mA	760 mA																																										
-24 V	420 mA	540 mA	630 mA	620 mA	610 mA	780 mA	620 mA	700 mA	780 mA																																										
Environmental and Mechanical Temperature range Operational Storage Relative humidity Cooling requirements Dimensions Front-panel potential	0°C to +50°C -25°C to +75°C 0 to 85%, non-condensing, to 40°C 10 CFM 340 mm x 233.35 mm x 30.48 mm (C-size VXIbus) Chassis ground																																																		



**RELATED PRODUCTS**

- Model V207      16-bit, 500,000 Sample/second ADC Subsystem
- Model V208      16-bit, 100,000 Sample/second ADC Subsystem
- Model 5868-Axyz    Cable—68P High Density to Underterminated
- Model 5868-Bxyz    Cable—68S High Density to Underterminated
- Model 5868-Cxyz    Cable—68P High Density to 68P High Density  
(V253 output to V765/V792)
- Model 5868-Dxyz    Cable—68S High Density to 68P High Density  
(V765/V792-ZA11 to V253 input)
- Model 5868-Exyz    Cable—68S High Density to 68S High Density
- Model 5868-Qxyz    Cable—68S High Density to 68P High Density  
(V792-ZB11 to V253 input)
- Model V752-ZA11    Termination Assembly for V253
- Model V752-ZC11    Isothermal Termination Assembly for V253
- Model V765-ZA11    Rack-mount Termination Panel
- Model V792-ZA11    Rack-mount Isothermal Termination Panel  
(Use 5868-Dxyz cable)
- Model V792-ZB11    Rack-mount Isothermal Termination Panel  
(Use 5868-Qxyz cable)

**ORDERING INFORMATION**

MODEL	DESCRIPTION
V253-Zxy1	16-channel Programmable Gain and Filter x: A = no filters B = 8-channel filters, Bessel C = 16-channel filters, Bessel D = 8-channel filters, Chebyshev E = 16-channel filters, Chebyshev y: A = no simultaneous sampling B = 8-channel simultaneous sampling C = 16-channel simultaneous sampling
Example: V253-ZCC1 would be a 16-channel Programmable Gain and Filter module with 16-channels of Bessel filtering and 16-channels of simultaneous sampling.	

Updated October 24, 2005

Copyright © 2005 KineticSystems Company, LLC. All rights reserved.

**KineticSystems Company, LLC**

900 N. State St.  
Lockport, IL 60441-2200

**Toll-Free (US and Canada):**

phone 1-800-DATA NOW  
1-800-328-2669

**Direct:**

phone +1-815-838-0005  
fax +1-815-838-4424

**Email:**

mkt-info@kscorp.com

To find your local sales representative or distributor or to learn more about KineticSystems' products visit:

**www.kscorp.com**



## Artisan Technology Group is your source for quality new and certified-used/pre-owned equipment

- FAST SHIPPING AND DELIVERY
- TENS OF THOUSANDS OF IN-STOCK ITEMS
- EQUIPMENT DEMOS
- HUNDREDS OF MANUFACTURERS SUPPORTED
- LEASING/MONTHLY RENTALS
- ITAR CERTIFIED SECURE ASSET SOLUTIONS

### SERVICE CENTER REPAIRS

Experienced engineers and technicians on staff at our full-service, in-house repair center

### *InstraView*<sup>SM</sup> REMOTE INSPECTION

Remotely inspect equipment before purchasing with our interactive website at [www.instraview.com](http://www.instraview.com) ↗

### WE BUY USED EQUIPMENT

Sell your excess, underutilized, and idle used equipment. We also offer credit for buy-backs and trade-ins. [www.artisanng.com/WeBuyEquipment](http://www.artisanng.com/WeBuyEquipment) ↗

### LOOKING FOR MORE INFORMATION?

Visit us on the web at [www.artisanng.com](http://www.artisanng.com) ↗ for more information on price quotations, drivers, technical specifications, manuals, and documentation

**Contact us:** (888) 88-SOURCE | [sales@artisanng.com](mailto:sales@artisanng.com) | [www.artisanng.com](http://www.artisanng.com)