



## Artisan Technology Group is your source for quality new and certified-used/pre-owned equipment

- FAST SHIPPING AND DELIVERY
- TENS OF THOUSANDS OF IN-STOCK ITEMS
- EQUIPMENT DEMOS
- HUNDREDS OF MANUFACTURERS SUPPORTED
- LEASING/MONTHLY RENTALS
- ITAR CERTIFIED SECURE ASSET SOLUTIONS

### SERVICE CENTER REPAIRS

Experienced engineers and technicians on staff at our full-service, in-house repair center

### *InstraView*<sup>SM</sup> REMOTE INSPECTION

Remotely inspect equipment before purchasing with our interactive website at [www.instraview.com](http://www.instraview.com) ↗

### WE BUY USED EQUIPMENT

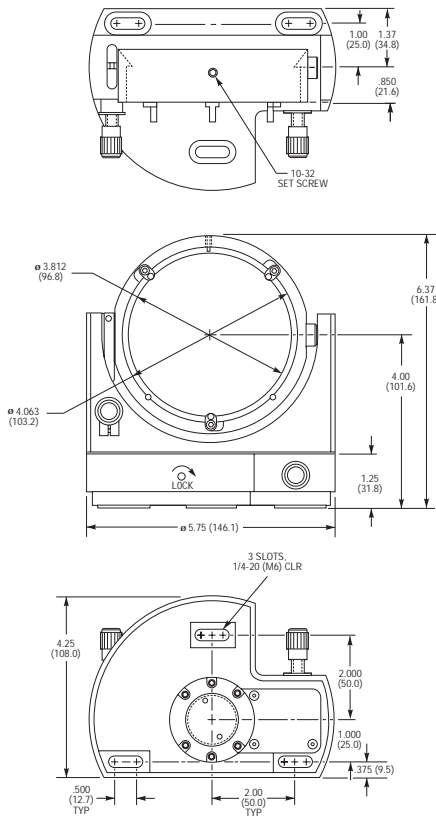
Sell your excess, underutilized, and idle used equipment. We also offer credit for buy-backs and trade-ins. [www.artisanng.com/WeBuyEquipment](http://www.artisanng.com/WeBuyEquipment) ↗

### LOOKING FOR MORE INFORMATION?

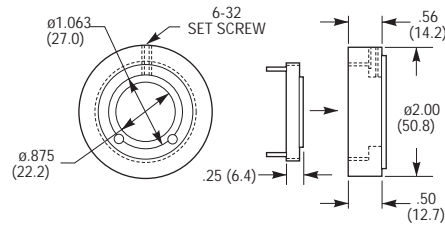
Visit us on the web at [www.artisanng.com](http://www.artisanng.com) ↗ for more information on price quotations, drivers, technical specifications, manuals, and documentation

**Contact us:** (888) 88-SOURCE | [sales@artisanng.com](mailto:sales@artisanng.com) | [www.artisanng.com](http://www.artisanng.com)

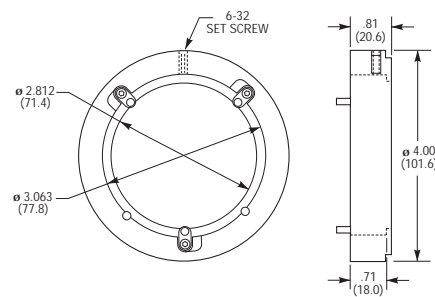
**Model 605-4**



**Model 605A-2-1**



**Model 605A-4-3**



**Related Products**



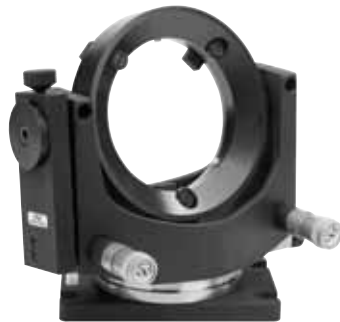
*Broadband Dielectric Mirrors (see page 524)*



*Ultra-Low Loss SuperMirrors™ (see page 529)*

**CAD** See our website for CAD files

# SL-A Series Gimbal Optical Mounts



*SL8ABM*

- Accommodates circular or rectangular optics to 16.5 in. (420 mm)
- Versatile design accepts optics larger and smaller than nominal dimensions
- Unlimited coarse rotation in elevation and azimuth, up to ±2° fine adjustment range

SL-A Gimbal Optical Mounts facilitate fast, accurate positioning of large circular or rectangular optics. Unlimited rotation in elevation and azimuth allow the mount and optic to be oriented in any position in space. Circular optics smaller than the mount's nominal diameter are securely held inside the mount ring by extendible clamp arms. Circular and rectangular optics larger than the nominal diameter may also be attached to the mounting ring with external clamps. For added versatility, a large aperture in the base allows light to pass through unobstructed.

A clutch nut on each axis allows the mirror to be quickly oriented in any coarse position. Locking the clutch nuts enables up to ±2° fine adjustment using your choice of standard micrometer, differential micrometer, or lockable adjustment screws.

**Related Products**



*Broadband Metallic Mirrors (see page 518)*

# Specifications

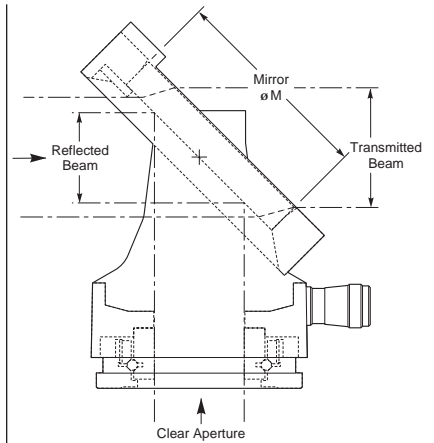
	SL8A	SL15A	SL20A
Travel, Coarse	360°	360°	360°
Travel, Fine (using micrometers with 4 mm of travel)	±2°	±1.15°	±0.92°
Sensitivity with standard BM Micrometers (arc sec)	3.5	2.1	1.7
Sensitivity with BD Differential Micrometers (arc sec)	0.35	0.21	0.17
Mirror Diameter (mm)	42-80	92-152.4	148-203.4
Mirror Thickness (mm)	6-15	6-24	6-30
Transmitted Beam (mm)	50	95	125
Reflected Beam/Clear Aperture Through Base (mm)	35	58	80

# Ordering Information

Larger SL-A Series mounts are available by special order for optics up to 16.5 in. (420 mm) diameter. Contact our technical sales staff for information.

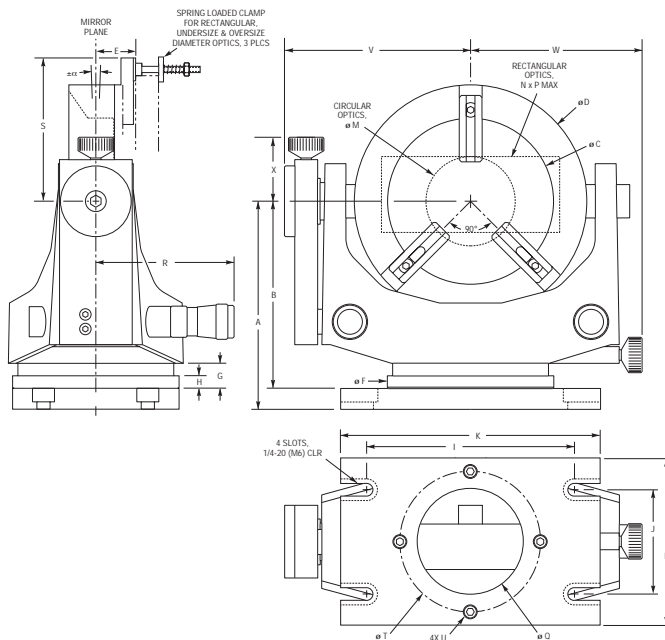
Model	Description
<b>Gimbal mount for nominal ø3 in. (80 mm) optics</b>	
SL8ABM	with BM standard micrometers
SL8ABD	with BD differential micrometers
SL8ABHC	with BHC locking adjustment screws
<b>Gimbal mount for nominal ø6 in. (150 mm) optics</b>	
SL15ABM	with BM standard micrometers
SL15ABD	with BD differential micrometers
SL15ABHC	with BHC locking adjustment screws
<b>Gimbal mount for nominal ø8 in. (200 mm) optics</b>	
SL20ABM	with BM standard micrometers
SL20ABD	with BD differential micrometers
SL20ABHC	with BHC locking adjustment screws

For Vacuum Compatible versions append 'V6' to the part number, e.g., SL8ABMV6. Stepper Motor versions are available, contact our technical sales staff for more information.



Laser Line Dielectric Mirrors (see page 526)

# SL-A Series



### Dimensions [in. (mm)]

Model	A	B	C	D	E	F	G	H
SL8A	3.94 (100)	3.54 (90)	3.15 (80.1)	4.41 (112)	0.43 (11)	3.15 (80)	0.47 (12)	0.24 (12)
SL15A	6.30 (160)	5.91 (150)	6.01 (152.6)	7.48 (190)	0.71 (18)	4.72 (120)	0.69 (17.5)	0.31 (8)
SL20A	7.87 (200)	7.09 (180)	8.01 (250)	9.84 (250)	0.91 (23)	6.30 (160)	0.73 (18.5)	0.39 (10)

### Dimensions [in. (mm)]

Model	I	J	K	L	M Min	M Max	N	P
SL8A	3.94 (100)	1.97 (115)	4.53 (115)	3.15 (80)	1.65 (42)	3.15 (80)	3.94 (100)	3.15 (80)
SL15A	3.94 (100)	3.94 (100)	4.92 (125)	4.92 (125)	3.62 (92)	6.00 (152.4)	7.09 (180)	7.09 (180)
SL20A	5.91 (150)	3.94 (100)		Ø7.87 (200)	5.83 (148)	8.00 (203.4)	9.25 (235)	9.25 (235)

### Dimensions [in. (mm)]

Model	Q	S	T	U	V	W	X	α
SL8A	1.38 (35)	2.72 (69)	2.68 (68)	M4	3.52 (89.5)	3.25 (82.5)	1.22 (31)	±2°
SL15A	2.28 (58)	4.88 (124)	4.13 (105)	M5	5.63 (143)	5.37 (136.5)	1.71 (43.5)	±1.15°
SL20A	3.15 (80)	5.63 (143)	5.51 (140)	M6	7.17 (182)	6.73 (171)	2.13 (54)	±0.92°

### Dimensions [in. (mm)]

Model	R		
	BM	BD	BHC
SL8A	2.62 ±0.16 (66.5 ±4)	2.62 ±0.11 (66.5 ±2.8)	0.55 ±0.04 (14 ±1)
SL15A	3.31 ±0.20 (84 ±5)	3.52 ±0.20 (89.5 ±5)	2.64 ±0.12 (67 ±3)
SL20A	3.66 ±0.20 (93 ±5)	3.90 ±0.20 (99 ±5)	2.99 ±0.12 (76 ±3)



## Artisan Technology Group is your source for quality new and certified-used/pre-owned equipment

- FAST SHIPPING AND DELIVERY
- TENS OF THOUSANDS OF IN-STOCK ITEMS
- EQUIPMENT DEMOS
- HUNDREDS OF MANUFACTURERS SUPPORTED
- LEASING/MONTHLY RENTALS
- ITAR CERTIFIED SECURE ASSET SOLUTIONS

### SERVICE CENTER REPAIRS

Experienced engineers and technicians on staff at our full-service, in-house repair center

### *InstraView*<sup>SM</sup> REMOTE INSPECTION

Remotely inspect equipment before purchasing with our interactive website at [www.instraview.com](http://www.instraview.com) ↗

### WE BUY USED EQUIPMENT

Sell your excess, underutilized, and idle used equipment. We also offer credit for buy-backs and trade-ins. [www.artisanng.com/WeBuyEquipment](http://www.artisanng.com/WeBuyEquipment) ↗

### LOOKING FOR MORE INFORMATION?

Visit us on the web at [www.artisanng.com](http://www.artisanng.com) ↗ for more information on price quotations, drivers, technical specifications, manuals, and documentation

**Contact us:** (888) 88-SOURCE | [sales@artisanng.com](mailto:sales@artisanng.com) | [www.artisanng.com](http://www.artisanng.com)