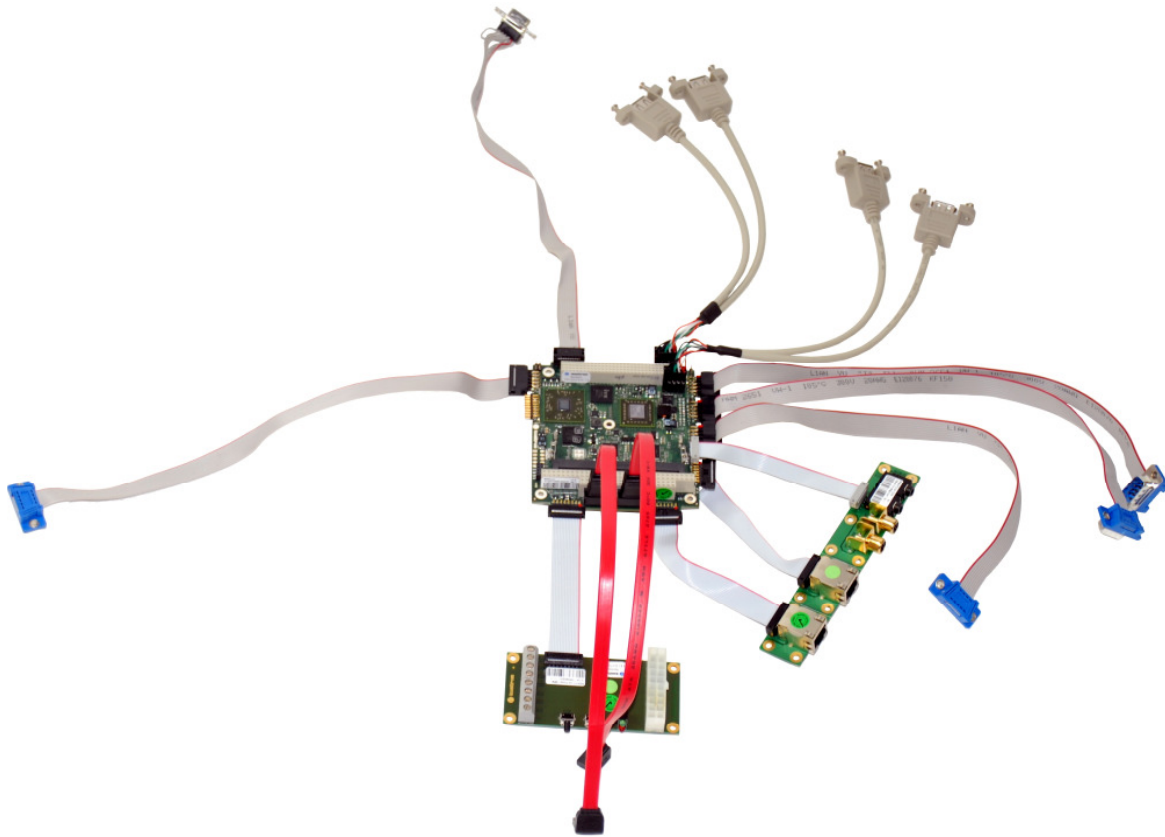


» MSM-e0 Evaluation-Kit «



Product	Ordering Information	Quantity
MSM-e0 Evaluation Kit	802409	1
MSM-e0 T44R Board	802400	1
MSM-e0 Heat Spreader Kit	802408	1
MSM-PC104 Active Cooler Kit	802316	1
MSM-PC104 Cable Kit	802040	1
RAM 2GB DDR3 SODIMM	890681	1
ATX Power Supply		1
2.5" SATA Hard Disk		1

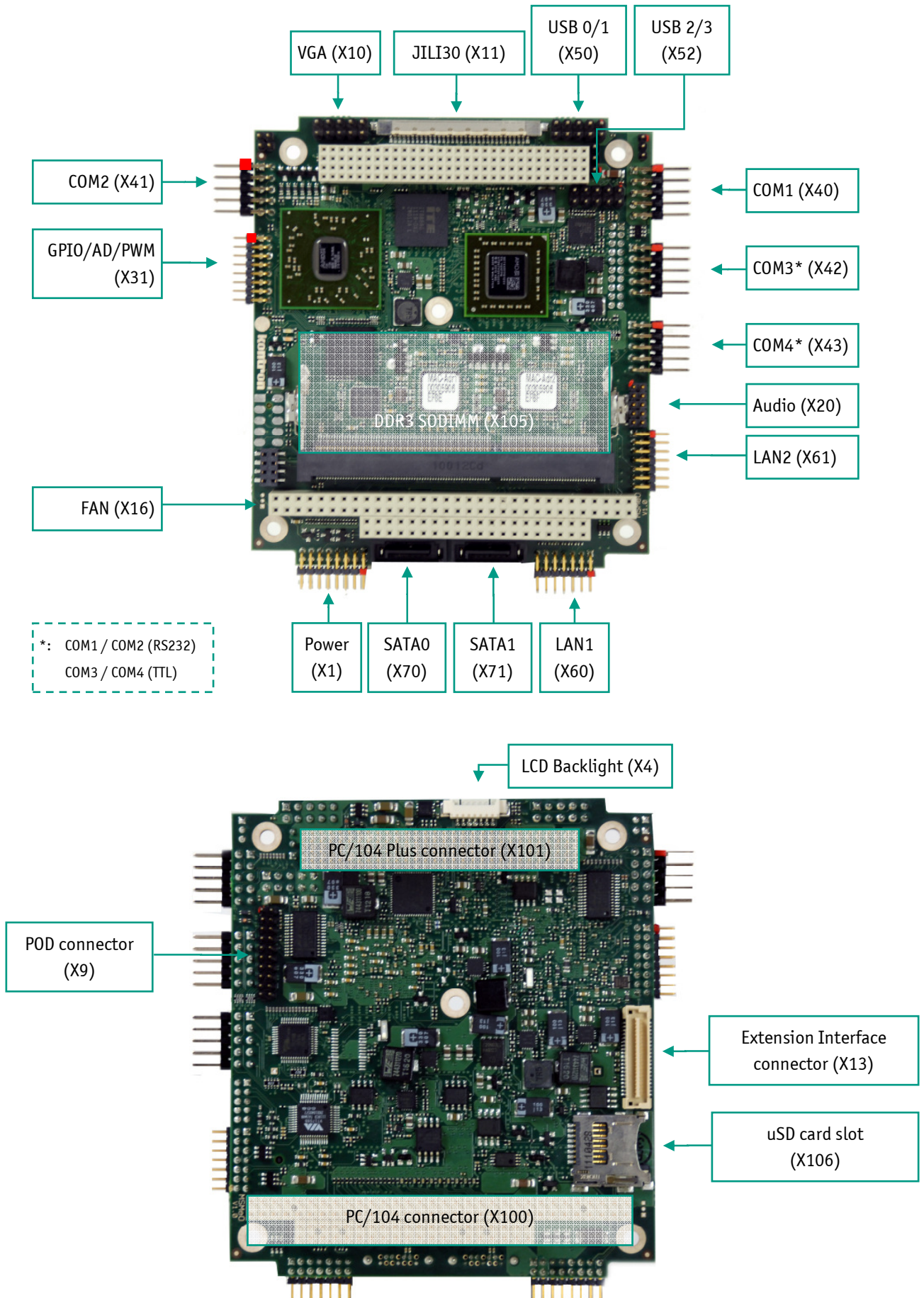
Ready to Run Package



Included:

- » MICROSPACE® MSM-e0
PCI/104 Board with AMD T44R
- » Heat spreader assembly with attached active cooler
- » PC/104 Cable Kit
 - » 9-Pin DSUB adapter
 - » VGA adapter
 - » SATA cables
 - » LAN adapter
 - » Audio adapter
 - » ATX power adapter
- » ATX Power Supply
- » 2.5" SATA Hard Disk
- » Dual Boot System
 - » Windows Embedded Standard 7 (Evaluation Version)
 - » Linux Fedora
- » Board Support Packages:
 - » Win XP and Win XPe
 - » WES7
 - » Linux
 - » VxWorks
- » GPIO / ADC / PWM Test Software with GUI for Linux and WES7
- » Documentation

Component Connection Diagram



Operating System Support

The MSM-e0 is an x86 compatible computer and supports a wide range of operating systems. Kontron provides BSPs for Microsoft Windows XP Embedded, Windows Embedded Standard 7, Fedora Linux and VxWorks.

Technical Support

Technicians and engineers from Kontron AG and/or its subsidiaries are available for technical support. We are committed to making our products easy to use and will help you to use our products in your systems.

For technical support, please consult our technical support department:

Web: <http://support.kcc-ag.ch>

Tel.: +41 (0) 32 681-5848

Fax: +41 (0) 32 681-5801

For the latest product documentation, utilities, drivers, additional tools and software please consult our website:

Web: <http://kontron.com>

Development Kit Features

Preloaded Hard Disk

The Development Kit contains a SATA hard disk with a pre-installed Fedora Core 14 Linux distribution and a Windows Embedded Standard 7 evaluation version. All necessary hardware drivers (including accelerated video support) for the MSM-e0 are pre-installed. On the common "MSM-e0" partition, all the necessary documentation, driver installation files, BSP, Tools and included software source files can be found.

SATA Hard Disk			
Partition 1: NTFS WES7	Partition 2: Linux	Partition 3: Linux	Partition 4: FAT32 MSM-e0 Documentation Drivers Tools BIOS BSP

GPIO / ADC / PWM Demo Application

The evaluation kit contains a demonstration program for the onboard GPIO / ADC and PWM functions. The demo program shows the usage of the communication to the onboard system controller which controls these functions. The Windows version of the program is written in C/C++ (Borland C++ builder). The Linux version of the program is written in C/C++ with Qt. All sources of the demo programs are included on the hard disk. Use the link on the desktop to start the program.

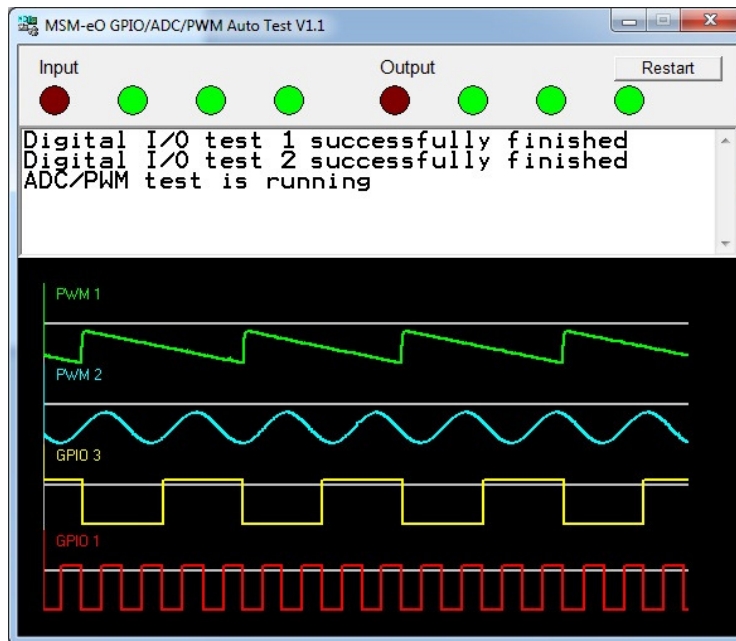


Figure 1: Demo application running under WES7

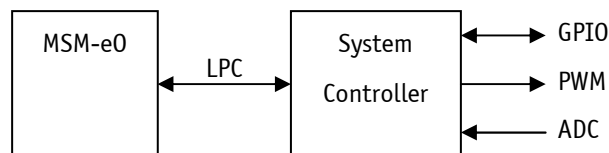


Figure 2: GPIO / ADC / PWM block diagram

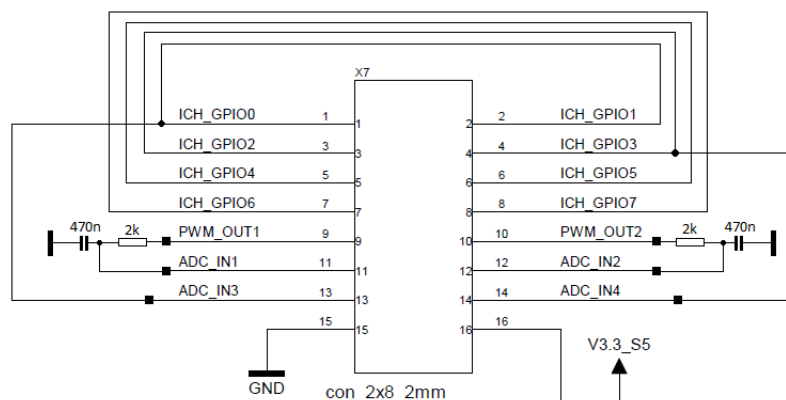


Figure 3: GPIO/ADC/PWM loopback adapter

Appendix A: Document Revision History

Revision	Date	Edited by	Changes
100	16 Dec 2011	WAS	Initial version

Corporate Offices

Europe, Middle East & Africa

Oskar-von-Miller-Str. 1
85386 Eching/Munich
Germany

Tel.: +49 (0)8165/ 77 777
Fax: +49 (0)8165/ 77 219

info@kontron.com

North America

14118 Stowe Drive
Poway, CA 92064-7147
USA

Tel.: +1 888 294 4558
Fax: +1 858 677 0898

info@us.kontron.com

Asia Pacific

17 Building, Block #1,ABP.
188 Southern West 4th Ring
Beijing 100070, P.R.China

Tel.: + 86 10 63751188
Fax: + 86 10 83682438

info@kontron.cn

