



Artisan Technology Group is your source for quality new and certified-used/pre-owned equipment

- FAST SHIPPING AND DELIVERY
- TENS OF THOUSANDS OF IN-STOCK ITEMS
- EQUIPMENT DEMOS
- HUNDREDS OF MANUFACTURERS SUPPORTED
- LEASING/MONTHLY RENTALS
- ITAR CERTIFIED SECURE ASSET SOLUTIONS

SERVICE CENTER REPAIRS

Experienced engineers and technicians on staff at our full-service, in-house repair center

*InstraView*SM REMOTE INSPECTION

Remotely inspect equipment before purchasing with our interactive website at www.instraview.com ↗

WE BUY USED EQUIPMENT

Sell your excess, underutilized, and idle used equipment. We also offer credit for buy-backs and trade-ins. www.artisanng.com/WeBuyEquipment ↗

LOOKING FOR MORE INFORMATION?

Visit us on the web at www.artisanng.com ↗ for more information on price quotations, drivers, technical specifications, manuals, and documentation

Contact us: (888) 88-SOURCE | sales@artisanng.com | www.artisanng.com

Model 9705

Revision 1.1

IP Programmable High-Precision Frequency Synthesizer



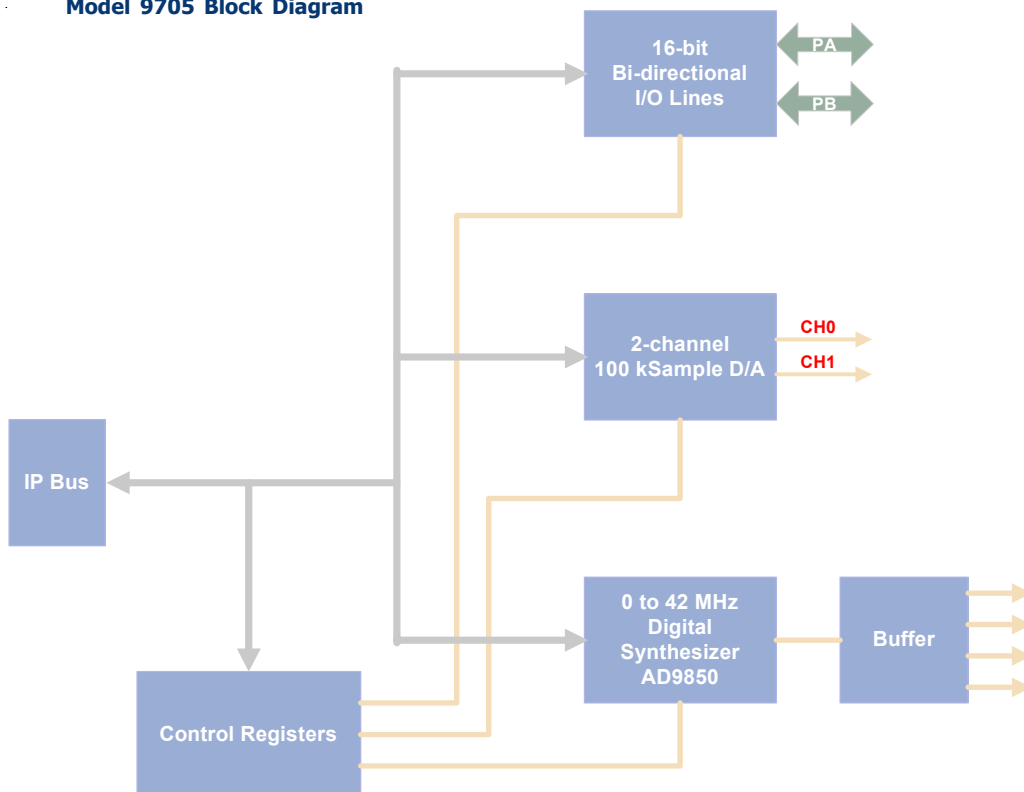
The Model 9705 is an Industry Pack (IP) clocking module that offers the industry's first digital synthesizer on an IP module.

The Model 9705 contains a high-frequency digital synthesizer and is capable of generating any sampling rate from 0 to 42MHz, selectable in .03 increments. This module also contains a configurable 16-bit parallel port.

For more sophisticated signal processing requirements, 100kHz dual-channel, 16-bit D/A for input or output is available.

As an option, KSI offers this product without the dual D/A channels. This provides a cost-effective solution for system clocking in applications that do not require D/A functionality.

Model 9705 Block Diagram



Features

- 0 to 42MHz TTL clock outputs
- 16 digital bi-directional TTL level I/O lines that can drive up to 10 TTL loads
- 2-channel, 100K sample per second Sigma-Delta D/A converter
- 1 digital frequency synthesizer with four TTL-level buffered outputs allows distribution to multiple systems
- 125MHz standard option of the high-frequency base oscillator
- FIFO allows clumps of data to be sent to the D/A, which frees up the software to deal with other functions
- Seven-level interrupt generator with programmable polarity selection
- Synthesizer with 32-bit phase update register
- D/A >85dB dynamic range
- D/A output voltage 3.5Vpp (optional 10 Vpp)
- Stability: 100ppm for 0–50 C
- Accuracy: 50ppm for -40–+85 C
- Jitter: < 300 ps

Ordering Information

Model 9705-001

-No D/A

Model 9705-004

-Single, high-power clock output

KSI
A Division of DSPCon, Inc.

www.ksi-corporation.com



Artisan Technology Group is your source for quality new and certified-used/pre-owned equipment

- FAST SHIPPING AND DELIVERY
- TENS OF THOUSANDS OF IN-STOCK ITEMS
- EQUIPMENT DEMOS
- HUNDREDS OF MANUFACTURERS SUPPORTED
- LEASING/MONTHLY RENTALS
- ITAR CERTIFIED SECURE ASSET SOLUTIONS

SERVICE CENTER REPAIRS

Experienced engineers and technicians on staff at our full-service, in-house repair center

*InstraView*SM REMOTE INSPECTION

Remotely inspect equipment before purchasing with our interactive website at www.instraview.com ↗

WE BUY USED EQUIPMENT

Sell your excess, underutilized, and idle used equipment. We also offer credit for buy-backs and trade-ins. www.artisanng.com/WeBuyEquipment ↗

LOOKING FOR MORE INFORMATION?

Visit us on the web at www.artisanng.com ↗ for more information on price quotations, drivers, technical specifications, manuals, and documentation

Contact us: (888) 88-SOURCE | sales@artisanng.com | www.artisanng.com