



## Artisan Technology Group is your source for quality new and certified-used/pre-owned equipment

- FAST SHIPPING AND DELIVERY
- TENS OF THOUSANDS OF IN-STOCK ITEMS
- EQUIPMENT DEMOS
- HUNDREDS OF MANUFACTURERS SUPPORTED
- LEASING/MONTHLY RENTALS
- ITAR CERTIFIED SECURE ASSET SOLUTIONS

### SERVICE CENTER REPAIRS

Experienced engineers and technicians on staff at our full-service, in-house repair center

### *InstraView*<sup>SM</sup> REMOTE INSPECTION

Remotely inspect equipment before purchasing with our interactive website at [www.instraview.com](http://www.instraview.com) ↗

### WE BUY USED EQUIPMENT

Sell your excess, underutilized, and idle used equipment. We also offer credit for buy-backs and trade-ins. [www.artisanng.com/WeBuyEquipment](http://www.artisanng.com/WeBuyEquipment) ↗

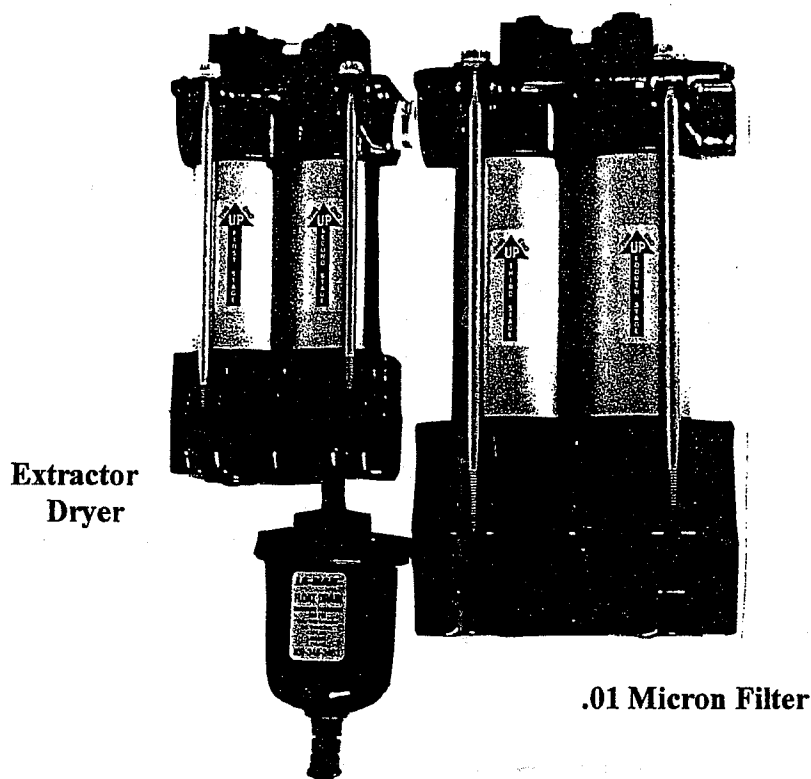
### LOOKING FOR MORE INFORMATION?

Visit us on the web at [www.artisanng.com](http://www.artisanng.com) ↗ for more information on price quotations, drivers, technical specifications, manuals, and documentation

**Contact us:** (888) 88-SOURCE | [sales@artisanng.com](mailto:sales@artisanng.com) | [www.artisanng.com](http://www.artisanng.com)

# LA-MAN-DRY

## *SUPERSTAR .01 MICRON COALESCING FILTER*



The La-Man Superstar .01 Micron Coalescing Filter, is the optimum choice for airline protection. The coalescing filter removes dirt, water, oil, and reduces oil vapor. The system provides clean, dry, oil free air for your application.

### FEATURES:

5 Micron depth filter with automatic drain  
 .01 micron coalescing and oil vapor absorption filters  
 Differential Pressure Gauges to indicate filter conditions

### SPECIFICATIONS:

Maximum Pressure	250 PSIG
Maximum Temperature	120 Degrees F
Air Flow Capacity	35 SCFM
Filtration	.01 Micron

### INSTALLATION:

Install the Superstar .01 Micron Coalescing Filter as close as possible to the point of use for best performance. The filters must be installed in the up-right position for proper drainage.

### OPERATION:

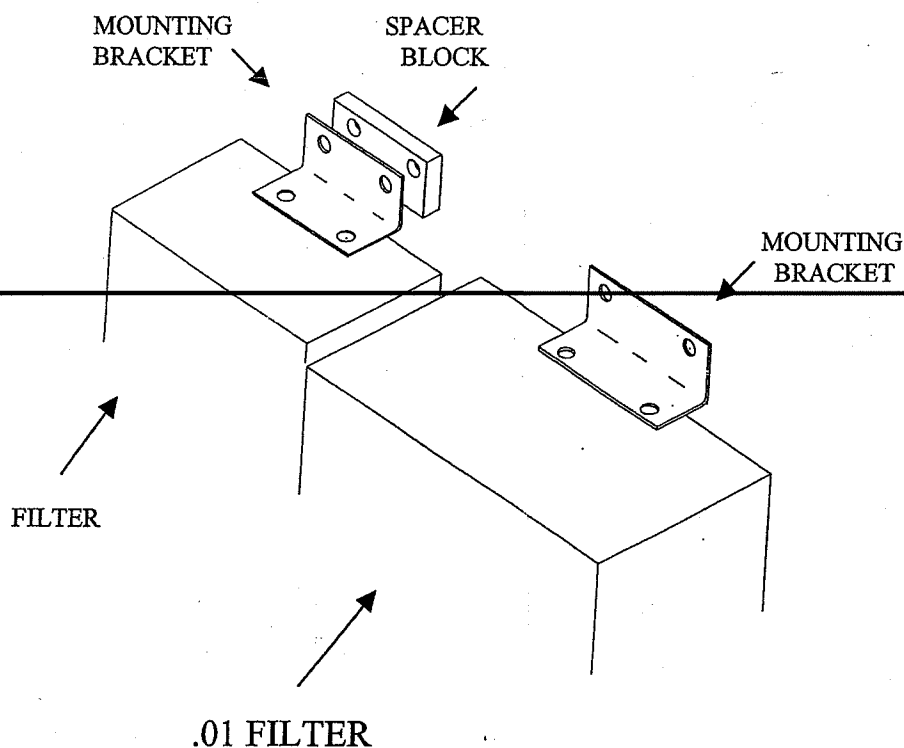
During system operation, inspect differential pressure gauges to monitor filter cartridge conditions. When gauges are red in color, replace the filter cartridges. Turn off airline when not in use.

**MAINTENANCE:**

**WARNING: USE PERSONAL PROTECTIVE EQUIPMENT TO PREVENT EYE INJURY WHEN SERVICING THIS UNIT.**

**WARNING: ALWAYS TURN OFF AIR SUPPLY AND BLEED AIR PRESSURE BEFORE SERVICING THIS UNIT OR INJURY COULD RESULT.**

1. Installation **MUST NOT** be at the compressor sight. Install the filters as close as possible to the machinery or air tools being used.
2. Replace the 3<sup>rd</sup> and 4<sup>th</sup> stage cartridges every 6 months (Depending on airline conditions). If at any time the differential pressure gauge indicators turn red in color, the elements need servicing.
3. Loosen the bolts on the top of the manifold enough to allow the cartridges to move freely. Remove one corner bolt. Slide out old cartridges.
4. Slide in the new cartridges (3<sup>rd</sup> stage under the inlet side) with the arrows pointing up.
5. Replace the corner bolt and tighten in an "X" pattern to 50 Inch Pounds.
6. Slowly pressurize the unit and check for leaks.



**LA-MAN<sup>®</sup> CORPORATION**

***WE MAKE COMPRESSED AIR WORK<sup>®</sup>***

4400 EASTPORT PARKWAY, PORT ORANGE, FL 32127

PH: 386-304-0411 • 800-348-2463



## Artisan Technology Group is your source for quality new and certified-used/pre-owned equipment

- FAST SHIPPING AND DELIVERY
- TENS OF THOUSANDS OF IN-STOCK ITEMS
- EQUIPMENT DEMOS
- HUNDREDS OF MANUFACTURERS SUPPORTED
- LEASING/MONTHLY RENTALS
- ITAR CERTIFIED SECURE ASSET SOLUTIONS

### SERVICE CENTER REPAIRS

Experienced engineers and technicians on staff at our full-service, in-house repair center

### *InstraView*<sup>SM</sup> REMOTE INSPECTION

Remotely inspect equipment before purchasing with our interactive website at [www.instraview.com](http://www.instraview.com) ↗

### WE BUY USED EQUIPMENT

Sell your excess, underutilized, and idle used equipment. We also offer credit for buy-backs and trade-ins. [www.artisanng.com/WeBuyEquipment](http://www.artisanng.com/WeBuyEquipment) ↗

### LOOKING FOR MORE INFORMATION?

Visit us on the web at [www.artisanng.com](http://www.artisanng.com) ↗ for more information on price quotations, drivers, technical specifications, manuals, and documentation

**Contact us:** (888) 88-SOURCE | [sales@artisanng.com](mailto:sales@artisanng.com) | [www.artisanng.com](http://www.artisanng.com)