



Artisan Technology Group is your source for quality new and certified-used/pre-owned equipment

- FAST SHIPPING AND DELIVERY
- TENS OF THOUSANDS OF IN-STOCK ITEMS
- EQUIPMENT DEMOS
- HUNDREDS OF MANUFACTURERS SUPPORTED
- LEASING/MONTHLY RENTALS
- ITAR CERTIFIED SECURE ASSET SOLUTIONS

SERVICE CENTER REPAIRS

Experienced engineers and technicians on staff at our full-service, in-house repair center

*InstraView*SM REMOTE INSPECTION

Remotely inspect equipment before purchasing with our interactive website at www.instraview.com ↗

WE BUY USED EQUIPMENT

Sell your excess, underutilized, and idle used equipment. We also offer credit for buy-backs and trade-ins. www.artisanng.com/WeBuyEquipment ↗

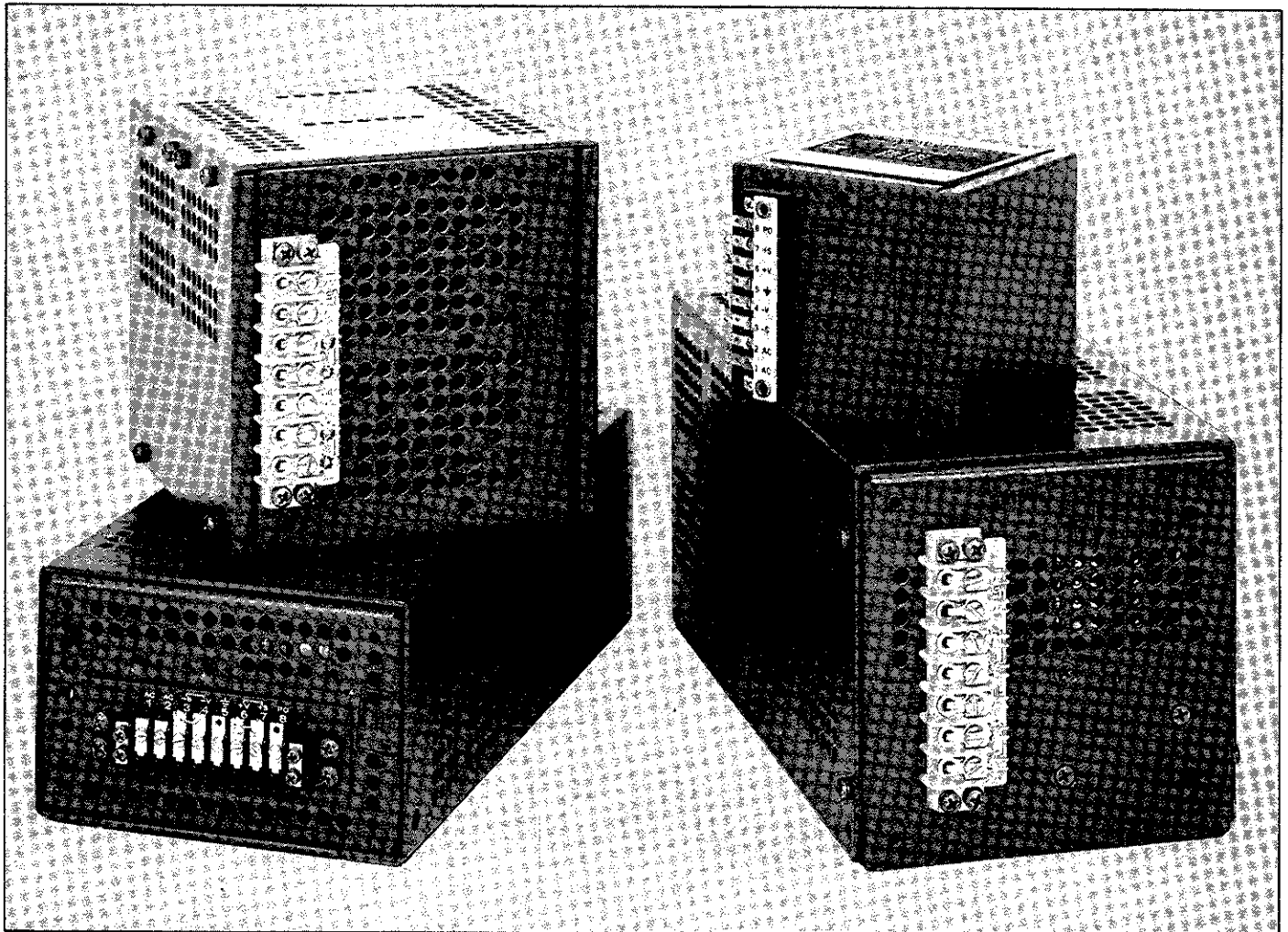
LOOKING FOR MORE INFORMATION?

Visit us on the web at www.artisanng.com ↗ for more information on price quotations, drivers, technical specifications, manuals, and documentation

Contact us: (888) 88-SOURCE | sales@artisanng.com | www.artisanng.com

5 YEAR GUARANTEED LINEAR

Lambda LC series



Features — LC series

9 package sizes

0.01% Reg line or load

250 μ V RMS Ripple

5-year guaranteed

Computer grade hermetically sealed 10-year life electrolytic capacitors.

Lambda MIL-T-27C grade 6 magnetics layer wound with electrostatic shield

Integrated circuit that replaces up to 32 discrete components for higher reliability

Lambda CC4®* Printed Circuit Board plated thru-holes fungus inert, flame retardant

*Licensee of Photo Circuits Inc.

Designed for use with breadboard, in laboratory or where precision is needed.

Meets military environmental specifications MIL-STD-810B, MIL-E-5272C, MIL-I-6181D

MIL-R-26 type wire wound resistors

Rugged convection-cooled chassis

MIL-W-16878 Wire UL approved

MIL-R-22684 type film resistors

MIL-R-11 composition resistors

 — Recognized

Specifications—LC Series

DC Output

Voltage range shown in tables.

REGULATED VOLTAGE

regulation, line 0.01% + 1 mV
 regulation, load 0.01% + 1 mV
 ripple and noise 250 μ V RMS, 1 mV pk-pk
 remote programming
 resistance 1000 ohms/volt, nominal
 remote programming
 voltage volt per volt
 temperature
 coefficient (0.01% + 300 μ V)/°C with external programming resistor; (0.015% + 300 μ V)/°C with internal programming resistor).

AC Input

line 105-132 VAC; 47-440 Hz. Derate 10% for 50 Hz operation. For operation at other than 57-63 Hz and 187-242 VAC, see AC input option. For 360-440 Hz ratings consult factory.
 power LCS-2, LCD-2 20 watts; LCS-A 80 watts; LCD-A 55 watts; LCD-4 125 watts; LCS-B 125 watts; LCS-C 215 watts; LCS-CC 300 watts; LCD-D 460 watts; LCS-E 700 watts; LCS-EE 850 watts.

Ambient Operating Temperature Range

Continuous duty from -20°C to +71°C with corresponding load current ratings for all modes of operation.

Storage Temperature Range

-55°C to +85°C.

Overload Protection

THERMAL

Thermostat, automatic reset when over-temperature condition is eliminated. (Not applicable to LCS-2, LCD-2, LCS-A, and LCD-A models.)

ELECTRICAL

External overload protection; automatic electronic current limiting circuit limits the output current to a preset value thereby providing protection for the load as well as the power supply.

Overshoot

No overshoot on turn-on, turn-off or power failure.

Input and Output Connections

Through terminal block on chassis.

Integrated Circuit Regulation

Integrated circuit provides regulation system, except for input and output capacitors, rectifiers and series regulation transistors.

Convection Cooled

No external heat sinking or forced air required.

Number of Package Sizes

Nine (9), Package 2, A, B, 4, C, CC, D, E, EE.

Controls

DC Output Control

Simple screwdriver voltage adjustment over entire voltage range.

Remote Sensing

Provision is made for remote sensing to eliminate effect of power output lead resistance on DC regulation. A terminal (RP) is provided for remote programming which eliminates interaction with internal voltage control, on LCS-CC, LCS-D, LCS-E, and LCS-EE models.

Current Limit

140% of 40°C rating for LCS-2, LCD-2, LCS-A, LCD-A, 130% of 40°C rating for LCD-4, LCS-B, LCS-C, LCS-CC, LCS-D, LCS-E, LCS-EE.

Mounting

LCS-2, LCD-2 four mounting surfaces; LCS-A, LCD-A, LCD-4, LCS-B, LCS-C, LCS-CC, and LCS-D three mounting surfaces, designed to mount in Lambda standard rack adapters. LCS-E and LCS-EE one mounting surface in horizontal plane.

Mil Spec

Altitude: MIL-STD-810 Meth. 500.1, Procedure I, high temperature: MIL-STD-810B, Meth. 501.1, Procedures I & II, MIL-E-5272C, Para. 4.1.2, Procedure II, low temperature: MIL-STD-810B, Method 502.1, Procedure I, temp. shock: MIL-STD-810B, Meth. 503.1, Procedure I, MIL-E-5272C, Para. 4.3.1, Procedure I, Humidity: MIL-STD-810B, Meth. 507.1, Procedure I, MIL-E-5272C, Para. 4.4.1, Procedure I, shock: MIL-STD-810B, Meth. 516.1, Procedures I, III, MIL-E-5272C, Para. 4.15.5.1, 4.15.5.2, vibration: MIL-STD-810B, Notice 1, Meth. 514, Procedures X, XI, emi: MIL-I-6181D.

Physical Data

Package Model	Weight		Size Inches
	Lbs. Net	Lbs. Ship	
LC-2	2-1/4	3-1/8	3-5/32 x 3-9/32 x 3-9/32
LC-A	6	7	3-3/16 x 3-3/4 x 6-1/2
LC-4	8	9	4-29/32 x 4-29/32 x 5
LC-B	7	8	3-3/16 x 4-15/16 x 6-1/2
LC-C	10	11	3-3/16 x 4-15/16 x 9-3/8
LC-CC	15	17	4-15/16 x 4-15/16 x 9-3/8
LC-D	23	26	4-15/16 x 7-1/2 x 9-3/8
LC-E	27	29	4-15/16 x 7-1/2 x 11-3/4
LC-EE	37	47	4-15/16 x 7-1/2 x 16-1/2

Finish

Gray. FED. STD. 595 No. 26081.

Accessories

Rack adapters, overvoltage protectors, chassis slides and blank panels. See pages 66-68.

Options

AC Input

Add Suffix	For Operation at:	Price Qty. 1-14	Price Single Model Qty. 15 & Up	Price Mixed Models Qty. 15 & Up
—V	187-242 VAC 47-440 Hz	12% or \$30*	10%	12% or \$30*
—V1	205-265 VAC 47-440 Hz	12% or \$30*	10%	12% or \$30*

*Whichever is greater.

Derate current 10% for 47-53 Hz operation.

Fungus Proofing

Add suffix -"R"- all models can be obtained with MIL-V-173 varnish to render all fungi nutrient components inert. LC series single output models add \$10.00 to price, LC series dual output models add \$15.00 to price.

Guaranteed for 5 Years

5-year guarantee includes labor as well as parts. Guarantee applied to operation at full published specifications at end of 5 years.

RU — Recognized

5-year guaranteed linear selector guide

Single output wide range Models LC

MODEL	REGULATION (line, load)	RIPPLE (RMS)	MAX AMPS AT AMBIENT OF				COMPLETE ELEC. SPEC. PG	PKG. SIZE	DIMENSIONS (inches)	COMPLETE MECH. SPEC. PG	PRICE
			40°C	50°C	60°C	71°C					
0-7 VOLTS ADJ.											
LCS-2-01	0.01% + 1 mV, 0.01% + 1 mV	250 μ V	0.550	0.455	0.350	0.240	39	2	3-5/32 x 3-9/32 x 3-9/32	126	\$202
LCS-A-01	0.01% + 1 mV, 0.01% + 1 mV	250 μ V	2.0	1.9	1.6	1.1	39	A	3-3/16 x 3-3/4 x 6-1/2	127	265
LCS-B-01	0.01% + 1 mV, 0.01% + 1 mV	250 μ V	3.7	3.3	2.7	1.7	39	B	3-3/16 x 4-15/16 x 6-1/2	127	351
LCS-C-01	0.01% + 1 mV, 0.01% + 1 mV	250 μ V	4.5	4.1	3.8	3.3	39	C	3-3/16 x 4-15/16 x 9-3/8	127	402
LCS-CC-01	0.01% + 1 mV, 0.01% + 1 mV	250 μ V	9.2	8.3	7.4	6.3	39	CC	4-15/16 x 4-15/16 x 9-3/8	128	552
LCS-D-01	0.01% + 1 mV, 0.01% + 1 mV	250 μ V	12.5	11.2	9.7	8.0	39	D	4-15/16 x 7-1/2 x 9-3/8	128	733
LCS-E-01	0.01% + 1 mV, 0.01% + 1 mV	250 μ V	17.0	15.6	14.1	11.8	39	E	4-15/16 x 7-1/2 x 11-3/4	129	859
0-18 VOLTS ADJ.											
LCS-2-02	0.01% + 1 mV, 0.01% + 1 mV	250 μ V	0.330	0.275	0.210	0.140	39	2	3-5/32 x 3-9/32 x 3-9/32	126	202
LCS-A-02	0.01% + 1 mV, 0.01% + 1 mV	250 μ V	1.1	1.0	0.9	0.7	39	A	3-3/16 x 3-3/4 x 6-1/2	127	265
LCS-CC-02	0.01% + 1 mV, 0.01% + 1 mV	250 μ V	3.8	3.5	3.2	2.7	39	CC	4-15/16 x 4-15/16 x 9-3/8	128	552

All outputs continuously adjustable over entire range. For other voltages or currents not listed see page 65 or consult your local Lambda Sales Engineer.

⁽¹⁾Ratings in parenthesis for LD series when cover is used.

5-year guaranteed linear selector guide

Single output wide range Models LC

MODEL	REGULATION (line, load)	RIPPLE (RMS)	MAX AMPS AT AMBIENT OF				COMPLETE ELEC. SPEC. PG	PKG. SIZE	DIMENSIONS (inches)	COMPLETE MECH. SPEC. PG	PRICE
			40°C	50°C	60°C	71°C					
0-32 VOLTS ADJ.											
LCS-2-03	0.01% + 1 mV, 0.01% + 1 mV	250 μ V	0.240	0.205	0.155	0.095	39	2	3-5/32 x 3-9/32 x 3-9/32	126	202
LCS-A-03	0.01% + 1 mV, 0.01% + 1 mV	250 μ V	0.69	0.64	0.60	0.45	39	A	3-3/16 x 3-3/4 x 6-1/2	127	265
LCS-B-03	0.01% + 1 mV, 0.01% + 1 mV	250 μ V	1.1	1.0	0.8	0.5	39	B	3-3/16 x 4-15/16 x 6-1/2	127	351
LCS-C-03	0.01% + 1 mV, 0.01% + 1 mV	250 μ V	1.6	1.5	1.4	1.2	39	C	3-3/16 x 4-15/16 x 9-3/8	127	402
0-60 VOLTS ADJ.											
LCS-2-04	0.01% + 1 mV, 0.01% + 1 mV	250 μ V	0.145	0.115	0.087	0.057	39	2	3-5/32 x 3-9/32 x 3-9/32	126	215
LCS-A-04	0.01% + 1 mV, 0.01% + 1 mV	250 μ V	0.370	0.340	0.310	0.250	39	A	3-3/16 x 3-3/4 x 6-1/2	127	265
0-120 VOLTS ADJ.											
LCS-2-05	0.01% + 1 mV, 0.01% + 1 mV	250 μ V	0.050	0.050	0.045	0.030	39	2	3-5/32 x 3-9/32 x 3-9/32	126	215
LCS-A-05	0.01% + 1 mV, 0.01% + 1 mV	250 μ V	0.100	0.100	0.100	0.100	39	A	3-3/16 x 3-3/4 x 6-1/2	127	300

All outputs continuously adjustable over entire range. For other voltages or currents not listed see page 65 or consult your local Lambda Sales Engineer.
 (*) Ratings in parenthesis for LD series when cover is used.

5-year guaranteed linear selector guide

Single output fixed voltage Models LC

MODEL	REGULATION (line load)	RIPPLE (RMS)	MAX AMPS AT AMBIENT OF				COMPLETE ELEC. SPEC. PG	PKG. SIZE	DIMENSIONS (inches)	COMPLETE MECH. SPEC. PG	PRICE
			40°C	50°C	60°C	71°C					
5 VOLTS ± 5% ADJ.											
LCS-A-5-OV ⁽⁵⁾	0.01% + 1 mV, 0.01% + 1 mV	250 μV	2.7	2.3	1.8	1.2	39	A	3-3/16 x 3-3/4 x 6-1/2	127	\$277
LCS-B-5-OV ⁽⁵⁾	0.01% + 1 mV, 0.01% + 1 mV	250 μV	5.8	5.0	4.0	3.0	39	B	3-3/16 x 4-15/16 x 6-1/2	127	361
LCS-C-5-OV ⁽⁵⁾	0.01% + 1 mV, 0.01% + 1 mV	250 μV	9.0	8.0	6.8	5.3	39	C	3-3/16 x 4-15/16 x 9-3/8	127	434
LCS-CC-5-OV ⁽⁵⁾⁽¹⁴⁾	0.01% + 1 mV, 0.01% + 1 mV	250 μV	16.0	14.5	12.7	10.5	39	CC	4-15/16 x 4-15/16 x 9-3/8	128	594
LCS-D-5-OV ⁽⁵⁾	0.01% + 1 mV, 0.01% + 1 mV	250 μV	27.5	24.2	20.5	16.5	39	D	4-15/16 x 7-1/2 x 9-3/8	128	757
LCS-E-5-OV ⁽⁵⁾	0.01% + 1 mV, 0.01% + 1 mV	250 μV	35.0	30.0	24.0	17.5	39	E	4-15/16 x 7-1/2 x 11-3/4	129	904
LCS-EE-5-OV ⁽⁵⁾	0.01% + 1 mV, 0.01% + 1 mV	250 μV	45.0	39.0	32.0	25.0	39	EE	4-15/16 x 7-1/2 x 16-1/2	129	1213

^(2,3,4,5,11,14) See page 33. For other voltages or currents not listed see page 65 or consult your local Lambda Sales Engineer.

⁽⁶⁾ Ratings in parenthesis for LD and LN series when cover is used.

5-year guaranteed linear selector guide

Single output fixed voltage Models LC

MODEL	REGULATION (line load)	RIPPLE (RMS)	MAX AMPS AT AMBIENT OF				COMPLETE ELEC. SPEC. PG	PKG. SIZE	DIMENSIONS (inches)	COMPLETE MECH. SPEC. PG	PRICE
			40°C	50°C	60°C	71°C					
8 VOLTS ± 5% ADJ.											
LCS-A-8	0.01% + 1 mV. 0.01% + 1 mV	250 μV	2.4	2.0	1.7	1.1	39	A	3-3/16 x 3-3/4 x 6-1/2	127	253
10 VOLTS ± 5% ADJ.											
LCS-A-10	0.01% + 1 mV. 0.01% + 1 mV	250 μV	2.1	1.8	1.5	1.0	39	A	3-3/16 x 3-3/4 x 6-1/2	127	253
12 VOLTS ± 5% ADJ.											
LCS-A-12	0.01% + 1 mV. 0.01% + 1 mV	250 μV	1.9	1.7	1.3	0.9	39	A	3-3/16 x 3-3/4 x 6-1/2	127	253
LCS-B-12	0.01% + 1 mV. 0.01% + 1 mV	250 μV	3.8	3.6	3.0	2.2	39	B	3-3/16 x 4-15/16 x 6-1/2	127	351
LCS-C-12	0.01% + 1 mV. 0.01% + 1 mV	250 μV	6.5	6.1	5.5	4.6	39	C	3-3/16 x 4-15/16 x 9-3/8	126	426

^(4,11) See page 33. For other voltages or currents not listed see page 65 or consult your local Lambda Sales Engineer.

⁽⁶⁾ Ratings in parenthesis for LD and LN series when cover is used.

5-year guaranteed linear selector guide

Single output fixed voltage Models LC

MODEL	REGULATION (line, load)	RIPPLE (RMS)	MAX AMPS AT AMBIENT OF				COMPLETE ELEC. SPEC. PG	PKG. SIZE	DIMENSIONS (inches)	COMPLETE MECH. SPEC. PG	PRICE
			40°C	50°C	60°C	71°C					
15 VOLTS ±5% ADJ.											
LCS-A-15	0.01% ± 1 mV, 0.01% ± 1 mV	250 μV	1.8	1.5	1.2	0.9	39	A	3-3/16 x 3-3/4 x 6-1/2	127	253
LCS-B-15	0.01% ± 1 mV, 0.01% ± 1 mV	250 μV	3.2	2.8	2.5	1.5	39	B	3-3/16 x 4-15/16 x 6-1/2	127	351
LCS-C-15	0.01% ± 1 mV, 0.01% ± 1 mV	250 μV	6.0	5.6	5.1	4.5	39	C	3-3/16 x 4-15/16 x 9-3/8	127	426
LCS-CC-15	0.01% ± 1 mV, 0.01% ± 1 mV	250 μV	9.5	8.6	7.4	4.8	39	CC	4-15/16 x 4-15/16 x 9-3/8	128	564
20 VOLTS ±5% ADJ.											
LCS-A-20	0.01% ± 1 mV, 0.01% ± 1 mV	250 μV	1.4	1.2	1.0	0.8	39	A	3-3/16 x 3-3/4 x 6-1/2	127	253

(2,4,11,12) See page 33. For other voltages or currents not listed see page 65 or consult your local Lambda Sales Engineer.
 (16) Ratings in parenthesis for LD and LN series when cover is used

5-year guaranteed linear selector guide

Single output fixed voltage Models LC

MODEL	REGULATION (line, load)	RIPPLE (RMS)	MAX AMPS AT AMBIENT OF				COMPLETE ELEC. SPEC. PG	PKG. SIZE	DIMENSIONS (inches)	COMPLETE MECH. SPEC. PG	PRICE
			40°C	50°C	60°C	71°C					
24 VOLTS ±5% ADJ.											
LCS-A-24	0.01% + 1 mV, 0.01% + 1 mV	250 μV	1.7	1.0	0.85	0.70	39	A	3-3/16 x 3-3/4 x 6-1/2	127	253
LCS-B-24	0.01% + 1 mV, 0.01% + 1 mV	250 μV	2.1	2.0	1.8	1.2	39	B	3-3/16 x 4-15/16 x 6-1/2	127	351
LCS-C-24	0.01% + 1 mV, 0.01% + 1 mV	250 μV	3.6	3.4	3.0	2.5	39	C	3-3/16 x 4-15/16 x 9-3/8	127	412
LCS-CC-24											
LCS-CC-24	0.01% + 1 mV, 0.01% + 1 mV	250 μV	6.8	6.4	5.7	4.4	39	CC	4-15/16 x 4-15/16 x 9-3/8	128	564
LCS-D-24	0.01% + 1 mV, 0.01% + 1 mV	250 μV	10.0	8.8	7.5	6.0	39	D	4-15/16 x 7-1/2 x 9-3/8	128	733
28 VOLTS ±5% ADJ.											
LCS-A-28	0.01% + 1 mV, 0.01% + 1 mV	250 μV	1.0	0.9	0.75	0.60	39	A	3-3/16 x 3-3/4 x 6-1/2	126	253
LCS-B-28	0.01% + 1 mV, 0.01% + 1 mV	250 μV	1.8	1.7	1.6	1.0	39	B	3-3/16 x 4-15/16 x 6-1/2	127	351

28 Volts ±5% continued next page.

(4,11,12) See page 33. For other voltages or currents not listed see page 65 or consult your local Lambda Sales Engineer

*Ratings in parenthesis for LD and LN series when cover is used.

5-year guaranteed linear selector guide

Single output fixed voltage Models LC

MODEL	REGULATION (line, load)	RIPPLE (RMS)	MAX AMPS AT AMBIENT OF				COMPLETE ELEC. SPEC. PG	PKG. SIZE	DIMENSIONS (inches)	COMPLETE MECH. SPEC. PG	PRICE
			40°C	50°C	60°C	71°C					
28 VOLTS ±5% ADJ. (Cont'd)											
LCS-C-28	0.01% + 1 mV 0.01% + 1 mV	250 μV	3.0	2.7	2.6	2.2	39	C	3-3/16 x 4-15/16 x 9-3/8	127	\$412
LCS-CC-28	0.01% + 1 mV 0.01% + 1 mV	250 μV	6.0	5.6	5.0	4.3	39	CC	4-15/16 x 4-15/16 x 9-3/8	128	564
36 VOLTS ±5% ADJ.											
LCS-A-36	0.01% + 1 mV 0.01% + 1 mV	250 μV	0.90	0.80	0.70	0.50	39	A	3-3/16 x 3-3/4 x 6-1/2	127	253
LCS-B-36	0.01% + 1 mV 0.01% + 1 mV	250 μV	1.4	1.3	1.1	0.7	39	B	3-3/16 x 4-15/16 x 6-1/2	127	351
LCS-C-36	0.01% + 1 mV 0.01% + 1 mV	250 μV	2.3	2.2	2.1	1.6	39	C	3-3/16 x 4-15/16 x 9-3/8	127	412
48 VOLTS ±5% ADJ.											
LCS-A-48	0.01% + 1 mV 0.01% + 1 mV	250 μV	0.60	0.55	0.50	0.45	39	A	3-3/16 x 3-3/4 x 6-1/2	127	253
LCS-B-48	0.01% + 1 mV 0.01% + 1 mV	250 μV	1.1	1.0	0.90	0.50	39	B	3-3/16 x 4-15/16 x 6-1/2	127	361
LCS-C-48	0.01% + 1 mV 0.01% + 1 mV	250 μV	1.8	1.7	1.6	1.3	39	C	3-3/16 x 4-15/16 x 9-3/8	127	412
LCS-CC-48	0.01% + 1 mV 0.01% + 1 mV	250 μV	3.7	3.4	3.0	2.2	39	CC	4-15/16 x 4-15/16 x 9-3/8	128	564
LCS-D-48	0.01% + 1 mV 0.01% + 1 mV	250 μV	5.2	4.7	4.1	3.4	39	D	4-15/16 x 7-1/2 x 9-3/8	128	733

(2,3,7,13) See page 33. For other voltages or currents not listed see page 65 or consult your local Lambda Sales Engineer.

*** Ratings in parenthesis for LN series when cover is used.

5-year guaranteed linear selector guide

Single output fixed voltage Models LC

MODEL	REGULATION (line load)	RIPPLE (RMS)	40°C	MAX AMPS AT AMBIENT OF				COMPLETE ELEC. SPEC. PG	PKG. SIZE	DIMENSIONS (inches)	COMPLETE MECH. SPEC. PG	PRICE
				50°C	60°C	71°C						
48 VOLTS ± 5% ADJ. (Cont'd)												
LCS-EE-48	0.01% + 1 mV, 0.01% + 1 mV	250 μV	10.0	9.2	8.3	5.5	39	EE	4-15/16 x 7-1/2 x 16-1/2	129	\$1160	
100 VOLTS ± 5% ADJ.												
LCS-A-100	0.01% + 1 mV, 0.01% + 1 mV	250 μV	0.18	0.18	0.18	0.18	39	A	3-3/16 x 3-3/4 x 6-1/2	130	277	
120 VOLTS ± 5% ADJ.												
LCS-A-120	0.01% + 1 mV, 0.01% + 1 mV	250 μV	0.15	0.15	0.15	0.15	39	A	3-3/16 x 3-3/4 x 6-1/2	127	277	
150 VOLTS ± 5% ADJ.												
LCS-A-150	0.01% + 1 mV, 0.01% + 1 mV	250 μV	0.10	0.10	0.10	0.10	39	A	3-3/16 x 3-3/4 x 6-1/2	127	277	
LCS-B-150	0.01% + 1 mV, 0.01% + 1 mV	250 μV	0.32	0.32	0.32	0.25	39	B	3-3/16 x 4-15/16 x 6-1/2	127	385	

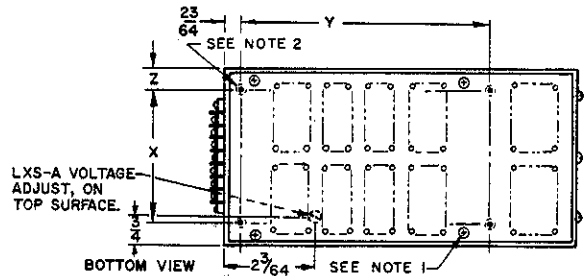
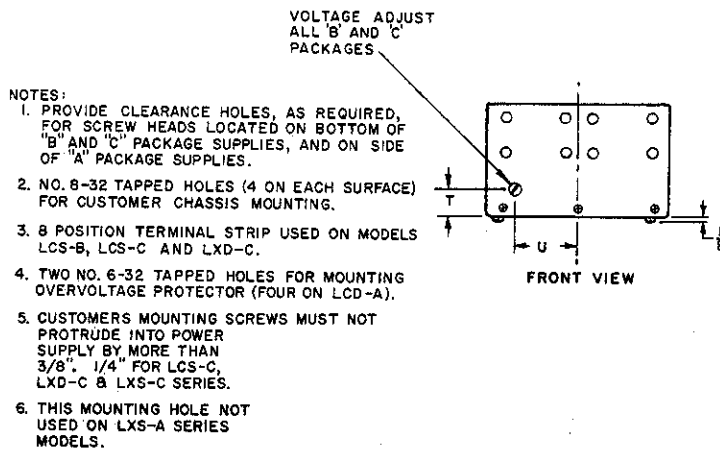
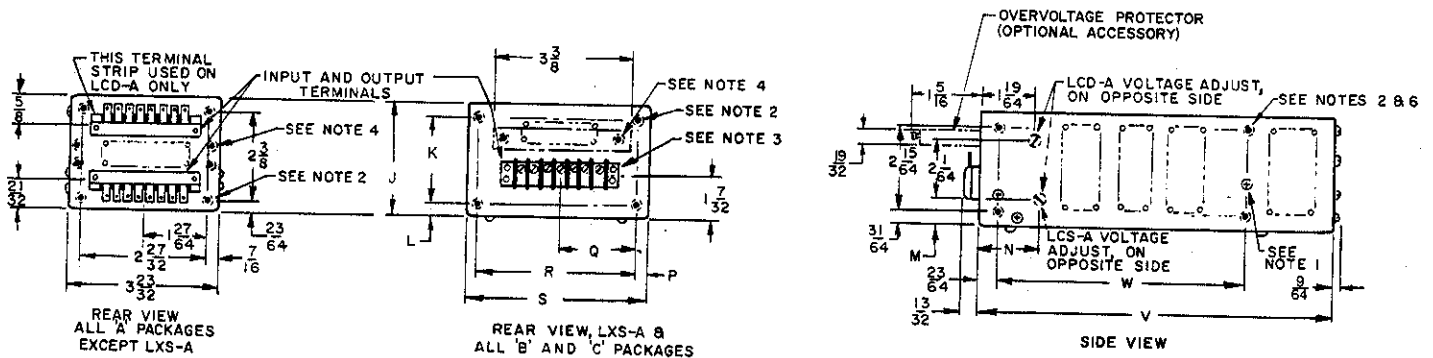
Dual output wide range Model LC.

MODEL	REGULATION (line load)	RIPPLE (RMS)	ADJ. VOLT. RANGE VDC	40°C	MAX AMPS AT AMBIENT OF				COMPLETE ELEC. SPEC. PG	PKG. SIZE	DIMENSIONS (inches)	COMPLETE MECH. SPEC. PG	PRICE
					50°C	60°C	71°C						
0-7/0-7 VOLTS ADJ.													
LCD-A-11	0.01% + 1 mV, 0.01% + 1 mV	250 μV	0-7	1.0	0.9	0.7	0.5	39	A	3-3/16 x 3-3/4 x 6-1/2	127	\$391	
0-18/0-18 VOLTS ADJ.													
LCD-2-22	0.01% + 1 mV, 0.01% + 1 mV	250 μV	0-18	0.160	0.130	0.100	0.065	39	2	3-5/32 x 3-9/32 x 3-9/32	125	300	
LCD-A-22	0.01% + 1 mV, 0.01% + 1 mV	250 μV	0-18	0.50	0.45	0.40	0.30	39	A	3-3/16 x 3-3/4 x 6-1/2	127	391	
0-32/0-32 VOLTS ADJ.													
LCD-2-33	0.01% + 1 mV, 0.01% + 1 mV	250 μV	0-32	0.120	0.095	0.070	0.045	39	2	3-5/32 x 3-9/32 x 3-9/32	126	300	
0-60/0-60 VOLTS ADJ.													
LCD-A-44	0.01% + 1 mV, 0.01% + 1 mV	250 μV	0-60	0.20	0.18	0.14	0.12	39	A	3-3/16 x 3-3/4 x 6-1/2	127	444	
0-120/0-120 VOLTS ADJ.													
LCD-2-55	0.01% + 1 mV, 0.01% + 1 mV	250 μV	0-120	0.030	0.030	0.022	0.014	39	2	3-5/32 x 3-9/32 x 3-9/32	126	413	

All outputs continuously adjustable over entire range. For other voltages or currents not listed see page 65 or consult your local Lambda Sales Engineer.

PART IV—DIMENSIONAL DRAWINGS MODULAR SUPPLIES PACKAGE SIZES A, B, AND C

LCS-A, LCD-A Series
LCS-B, LM-B Series
LCS-C, LXS-C, LXD-C, LM-C Series
LXS-A Series

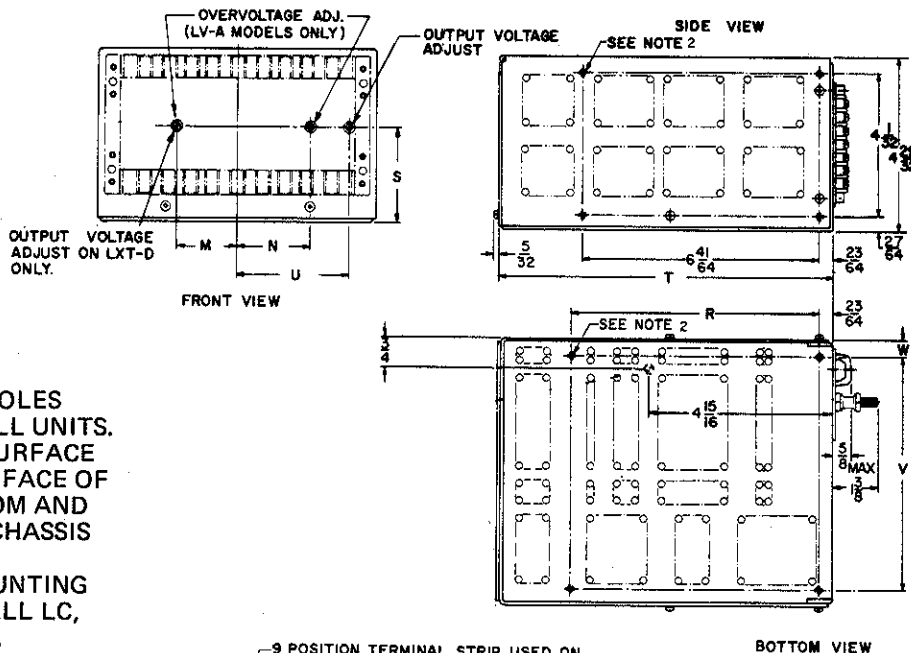


TERMINAL STRIP SCREW SIZE 5-40 X 5/16 FOR LXS-B, LXS-C, LM-B, LM-C
FOR ALL OTHERS, TERMINAL STRIP SCREW SIZE IS 2-56 X 3/16

MODEL	M	N	P	Q	R	S	T	U	V	W	X	Y	Z	J	K	L
LXS-A SERIES	—	—	7/16	1 ²⁷ / ₆₄	2 ²⁷ / ₃₂	3 ²³ / ₃₂	—	—	6 ⁷ / ₁₆	5 ¹ / ₁₆	2 ²⁷ / ₃₂	5 ⁵ / ₁₆	2 ⁷ / ₆₄	3 ⁵ / ₃₂	2 ³ / ₈	2 ³ / ₆₄
LCD-A, LCS-A SERIES	1 ⁹ / ₃₂	1 ¹³ / ₃₂	7/16	1 ²⁷ / ₆₄	2 ²⁷ / ₃₂	3 ²³ / ₃₂	—	—	6 ¹ / ₂	5 ¹ / ₁₆	2 ²⁷ / ₃₂	5 ⁵ / ₁₆	2 ⁷ / ₆₄	3 ¹ / ₆₄	2 ³ / ₈	2 ³ / ₆₄
LCS-B, LXD-B SERIES	—	—	2 ⁷ / ₆₄	2 ¹ / ₆₄	4 ¹ / ₃₂	4 ²⁹ / ₃₂	1 ³ / ₁₆	2 ¹ / ₈	6 ¹ / ₂	5 ¹ / ₁₆	3 ³ / ₄	5 ¹ / ₁₆	9 ¹ / ₁₆	3 ¹ / ₆₄	2 ¹⁵ / ₆₄	3 ¹ / ₆₄
LCS-C, LXD-C, LXS-C SERIES	—	—	2 ⁷ / ₆₄	2 ¹ / ₆₄	4 ¹ / ₃₂	4 ²⁹ / ₃₂	1 ³ / ₁₆	2	9 ⁹ / ₁₆	6 ⁵⁷ / ₆₄	3 ³ / ₄	6 ⁵⁷ / ₆₄	9 ¹ / ₁₆	3 ¹ / ₆₄	2 ¹⁵ / ₆₄	2 ⁹ / ₆₄
LM-B SERIES	—	—	2 ⁷ / ₆₄	2 ¹ / ₆₄	4 ¹ / ₃₂	4 ²⁹ / ₃₂	2 ¹⁵ / ₆₄	3 ¹ / ₃₂	6 ¹ / ₂	5 ¹ / ₁₆	3 ³ / ₄	5 ¹ / ₁₆	9 ¹ / ₁₆	3 ¹ / ₆₄	2 ¹⁵ / ₆₄	3 ¹ / ₆₄
LM-C SERIES	—	—	2 ⁷ / ₆₄	2 ¹ / ₆₄	4 ¹ / ₃₂	4 ²⁹ / ₃₂	1 ³ / ₁₆	1 ⁴⁵ / ₆₄	9 ⁹ / ₁₆	6 ⁵⁷ / ₆₄	3 ³ / ₄	6 ⁵⁷ / ₆₄	9 ¹ / ₁₆	3 ¹ / ₆₄	2 ¹⁵ / ₆₄	3 ¹ / ₆₄

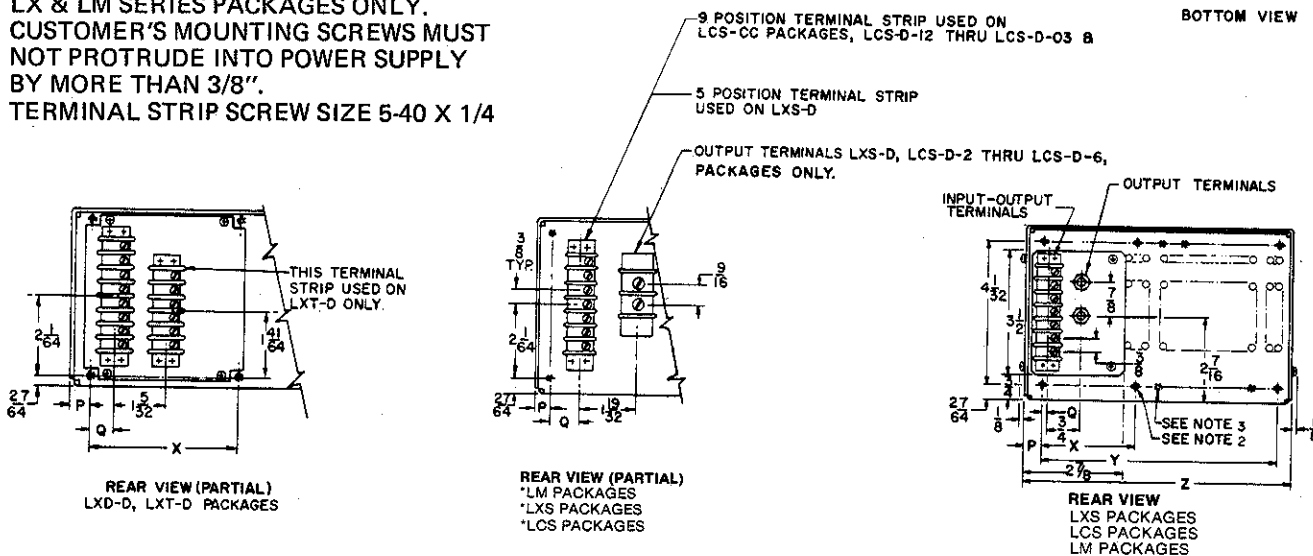
PART IV—DIMENSIONAL DRAWINGS MODULAR SUPPLIES PACKAGE SIZES CC AND D

LM-CC, LCS-CC Series
LXS-CC Series
LM-D, LCS-D, LXS-D Series
LXD-D, LXT-D Series



NOTES:

1. PROVIDE 5/16 DIA. CLEARANCE HOLES FOR SCREW HEADS ON SIDE OF ALL UNITS.
2. 8-32 TAPPED HOLES, 6 ON REAR SURFACE OF "D" PACKAGE, 4 ON REAR SURFACE OF "CC" PACKAGE, 4 EACH ON BOTTOM AND SIDE SURFACES FOR CUSTOMER CHASSIS MOUNTING.
3. TWO 6-32 TAPPED HOLES FOR MOUNTING OVERVOLTAGE PROTECTOR ON ALL LC, LX & LM SERIES PACKAGES ONLY.
4. CUSTOMER'S MOUNTING SCREWS MUST NOT PROTRUDE INTO POWER SUPPLY BY MORE THAN 3/8".
5. TERMINAL STRIP SCREW SIZE 5-40 X 1/4



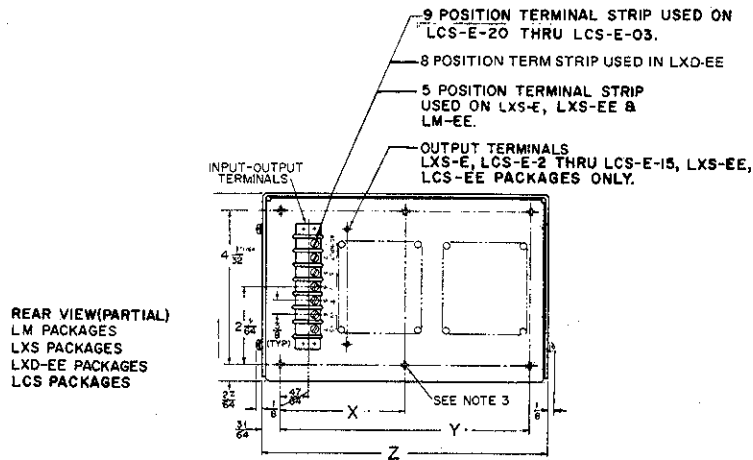
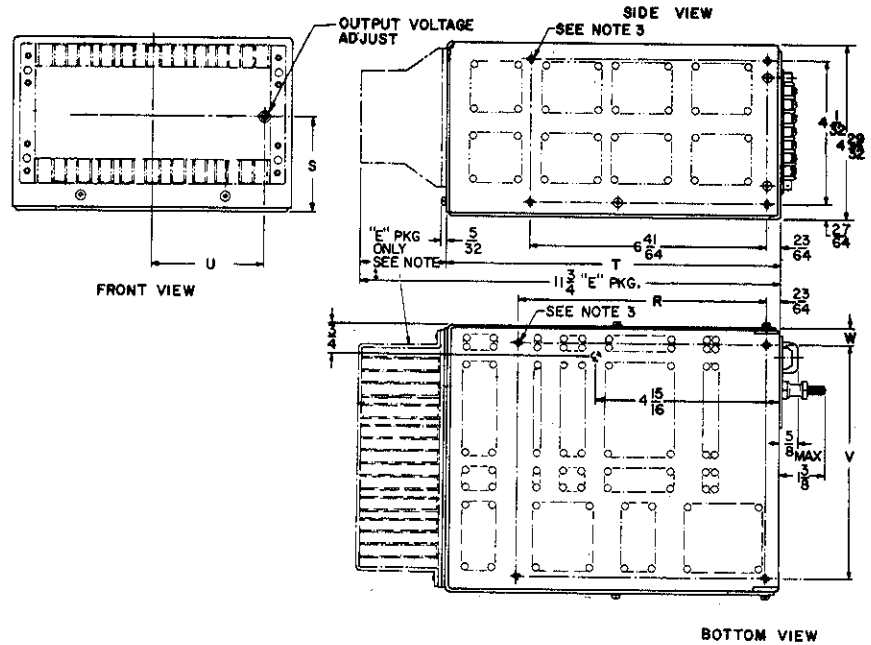
MODEL	M	N	P	Q	R	S	T	U	V	W	X	Y	Z
LM-CC, LXS-CC, LCS-CC SERIES	—	—	31/64	47/64	6 57/64	2 11/16	9 3/8	1 23/32	4 1/16	7/16	—	3 61/64	4 15/16
LXS-D SERIES	—	—	31/64	11/32	6 57/64	2 11/16	9 3/8	3 1/64	6 9/16	31/64	3 1/4	6 33/64	7 1/2
LM-D SERIES	—	—	31/64	47/64	6 57/64	2 11/16	9 3/8	3 1/64	6 9/16	31/64	3 1/4	6 33/64	7 1/2
LCS-D-12 THRU LCS-D-C3	—	—	31/64	1 3/32	6 57/64	2 11/16	9 3/8	3 1/64	6 9/16	31/64	3 61/64	6 33/64	7 1/2
LXD-D, LXT-D SERIES	2 59/64	—	31/64	19/32	6 57/64	2 11/16	9 3/8	3 1/64	6 9/16	31/64	3 61/64	6 33/64	7 1/2
LCS-D-2 THRU LCS-D-6	—	—	31/64	11/32	6 57/64	2 11/16	9 3/8	3 1/64	6 9/16	31/64	3 61/64	6 33/64	7 1/2

PART IV—DIMENSIONAL DRAWINGS MODULAR SUPPLIES PACKAGE SIZES E AND EE

LM-E, LXS-E, LCS-E Series
LXS-EE, LXD-EE, LCS-EE Series

NOTES:

1. "E" PACKAGE MUST BE MOUNTED WITH RADIATOR FINS VERTICAL.
2. PROVIDE 5/16 DIA. CLEARANCE HOLES FOR SCREW HEADS ON SIDE OF ALL UNITS.
3. 8-32 TAPPED HOLES 6 ON REAR SURFACE OF "E" PACKAGES, 4 EACH ON BOTTOM AND SIDE SURFACES FOR CUSTOMER CHASSIS MOUNTING (4 ON BOTTOM ONLY OF "EE" PACKAGES).
4. TWO 6-32 TAPPED HOLES FOR MOUNTING OVERVOLTAGE PROTECTOR (4 ON LM-EE, LCS-EE & LXS-EE) ON ALL LC, LX & LM SERIES PACKAGES ONLY.
5. CUSTOMER'S MOUNTING SCREWS MUST NOT PROTRUDE INTO POWER SUPPLY BY MORE THAN 3/8".
6. TERMINAL STRIP SCREW SIZE
PACKAGE E & LXD-EE 5-40 X 1/4
PACKAGE EE 8-32 X 5/16



MODEL	P	Q	R	S	T	U	V	W	X	Y	Z
LM-E SERIES	31/64	47/64	6 57/64	2 11/16	9 3/8	3 1/64	6 9/16	31/64	3 1/4	6 33/64	7 1/2
LX-EE, LCS-EE SERIES	-	-	12 3/8	2 9/32	16 1/2	2 15/16	6 9/16	31/64	-	-	7 1/2
LCS-E-20 THRU LCS-E-C3	31/64	1 3/32	6 57/64	2 11/16	9 3/8	3 1/64	6 9/16	31/64	3 61/64	6 33/64	7 1/2
LCS-E-2 THRU LCS-E-15, LXS-E SERIES	31/64	11/32	6 57/64	2 11/16	9 3/8	3 1/64	6 9/16	31/64	3 61/64	6 33/64	7 1/2



Artisan Technology Group is your source for quality new and certified-used/pre-owned equipment

- FAST SHIPPING AND DELIVERY
- TENS OF THOUSANDS OF IN-STOCK ITEMS
- EQUIPMENT DEMOS
- HUNDREDS OF MANUFACTURERS SUPPORTED
- LEASING/MONTHLY RENTALS
- ITAR CERTIFIED SECURE ASSET SOLUTIONS

SERVICE CENTER REPAIRS

Experienced engineers and technicians on staff at our full-service, in-house repair center

*InstraView*SM REMOTE INSPECTION

Remotely inspect equipment before purchasing with our interactive website at www.instraview.com ↗

WE BUY USED EQUIPMENT

Sell your excess, underutilized, and idle used equipment. We also offer credit for buy-backs and trade-ins. www.artisanng.com/WeBuyEquipment ↗

LOOKING FOR MORE INFORMATION?

Visit us on the web at www.artisanng.com ↗ for more information on price quotations, drivers, technical specifications, manuals, and documentation

Contact us: (888) 88-SOURCE | sales@artisanng.com | www.artisanng.com