



Artisan Technology Group is your source for quality new and certified-used/pre-owned equipment

- FAST SHIPPING AND DELIVERY
- TENS OF THOUSANDS OF IN-STOCK ITEMS
- EQUIPMENT DEMOS
- HUNDREDS OF MANUFACTURERS SUPPORTED
- LEASING/MONTHLY RENTALS
- ITAR CERTIFIED SECURE ASSET SOLUTIONS

SERVICE CENTER REPAIRS

Experienced engineers and technicians on staff at our full-service, in-house repair center

*InstraView*SM REMOTE INSPECTION

Remotely inspect equipment before purchasing with our interactive website at www.instraview.com ↗

WE BUY USED EQUIPMENT

Sell your excess, underutilized, and idle used equipment. We also offer credit for buy-backs and trade-ins. www.artisanng.com/WeBuyEquipment ↗

LOOKING FOR MORE INFORMATION?

Visit us on the web at www.artisanng.com ↗ for more information on price quotations, drivers, technical specifications, manuals, and documentation

Contact us: (888) 88-SOURCE | sales@artisanng.com | www.artisanng.com

NEW StoreX Series **STX40**

*Most Reliable and
Best Serviceable
Automated Storage*



New StoreX40 Series

www.liconic.com
Europe: Liconic AG Liechtenstein
US & International: Liconic Inc. Woburn MA

The New StoreX Series

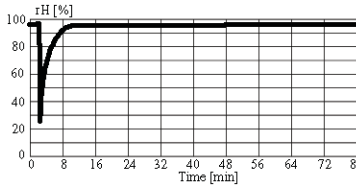
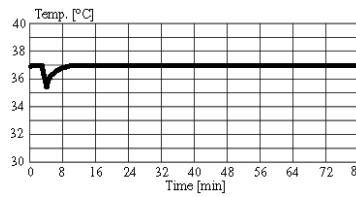
STX40

- New Module Slide
- Service Port
- Total Access Cover for Refrigeration
- Serial Interface
- Bi-Directional Communication
- Universal Serial Bus (USB)
- Ethernet Connection (TCP/IP)

Stable and reproducible climate conditions are the key to success in modern screening applications.

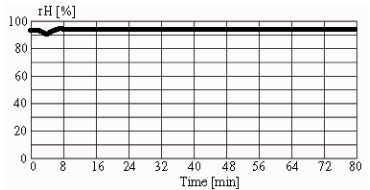
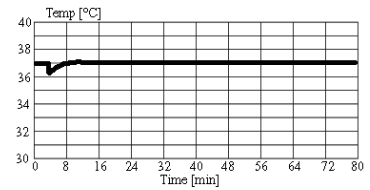
The small StoreX 40 transfer-gate guarantees extremely stable and reproducible environmental conditions for your assays. Fastest recovery times allow frequent plate loading and unloading.

Highest accuracy and stability over time is maintained by using sensors monitored by the Swiss Office of Metrology and the Swiss Accreditation Service.



Access through full-sized user door

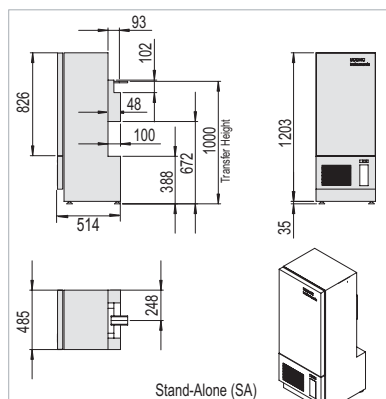
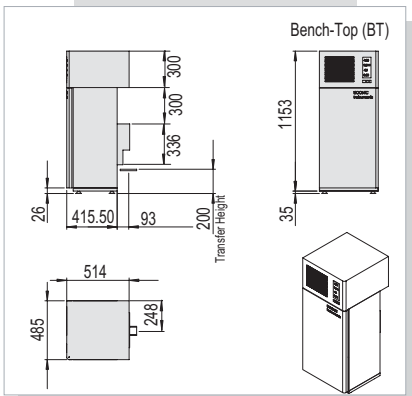
Access through the small robotic gate



Climate Options			
STX40-IC	33..50°C (70°C)	~95%	Incubator
STX40-HC	04..25°C	~90%	Humid Cooler
STX40-DC	04..25°C	~5%	Dry Cooler
STX40-HR	04..50°C (70°C)	90..95%	Humid Wide Range
STX40-DR	04..50°C	<5%	Dry Wide Range
STX40-AR	04..25°C	20..90%	Adjustable Humidity Cooled
STX40-IC2	33..50°C (70°C)	20..95%	Adjustable Humidity Heated
STX40-HT	Tmax.20°C	NA	High Temperature
STX40-DF	-	-	Deep Freezer

Options	STX 40 IC	STX 40 DC	STX 40 HC	STX 40 HR
Standard up to 50 mm Plate Height	x	x	x	x
16-Bit Digital Climate Controller	x	x	x	x
Easy Clean Option	x	x	x	x
Shaker Option	x	x	x	x
NMC Motor Technology	x	x	x	x
2xHigh speed handling (20s)	x	x	x	x
Gassing Options	x	x	x	x
BCR PP Sensing	x	x	x	x

Integration
For maximum flexibility the StoreX 40 is available in stand-alone (top transfer gate) or bench-top (bottom transfer gate) versions. The easily accessible transfer station and a standard RS232 connection ensure simple integration into an environment.



Capacity		
Plate Type	Plate Height	Plate capacity of unit
NTP (Nanotiter Plates)	5 mm	84
	11 mm	56
1536 MTP (Microtiter Plates)	12 mm	54
	17 mm	44
	22 mm	34
	23 mm	34
	24 mm	34
DWP (Deep Well Plates)	27 mm	30
	44 mm	20
	53 mm	16
DiTi200	66 mm	14
DiTi1000	104 mm	8



Artisan Technology Group is your source for quality new and certified-used/pre-owned equipment

- FAST SHIPPING AND DELIVERY
- TENS OF THOUSANDS OF IN-STOCK ITEMS
- EQUIPMENT DEMOS
- HUNDREDS OF MANUFACTURERS SUPPORTED
- LEASING/MONTHLY RENTALS
- ITAR CERTIFIED SECURE ASSET SOLUTIONS

SERVICE CENTER REPAIRS

Experienced engineers and technicians on staff at our full-service, in-house repair center

*InstraView*SM REMOTE INSPECTION

Remotely inspect equipment before purchasing with our interactive website at www.instraview.com ↗

WE BUY USED EQUIPMENT

Sell your excess, underutilized, and idle used equipment. We also offer credit for buy-backs and trade-ins. www.artisanng.com/WeBuyEquipment ↗

LOOKING FOR MORE INFORMATION?

Visit us on the web at www.artisanng.com ↗ for more information on price quotations, drivers, technical specifications, manuals, and documentation

Contact us: (888) 88-SOURCE | sales@artisanng.com | www.artisanng.com