



Artisan Technology Group is your source for quality new and certified-used/pre-owned equipment

- FAST SHIPPING AND DELIVERY
- TENS OF THOUSANDS OF IN-STOCK ITEMS
- EQUIPMENT DEMOS
- HUNDREDS OF MANUFACTURERS SUPPORTED
- LEASING/MONTHLY RENTALS
- ITAR CERTIFIED SECURE ASSET SOLUTIONS

SERVICE CENTER REPAIRS

Experienced engineers and technicians on staff at our full-service, in-house repair center

*InstraView*SM REMOTE INSPECTION

Remotely inspect equipment before purchasing with our interactive website at www.instraview.com ↗

WE BUY USED EQUIPMENT

Sell your excess, underutilized, and idle used equipment. We also offer credit for buy-backs and trade-ins. www.artisanng.com/WeBuyEquipment ↗

LOOKING FOR MORE INFORMATION?

Visit us on the web at www.artisanng.com ↗ for more information on price quotations, drivers, technical specifications, manuals, and documentation

Contact us: (888) 88-SOURCE | sales@artisanng.com | www.artisanng.com

Deep Fiber FTH Product Overview

Fiber-to-the-Home

Marconi's Deep Fiber FTH (Fiber-to-the-Home) solution extends fiber to the last mile, simultaneously delivering video, voice and data over a single fiber. Utilizing the field-proven, future-ready DISC*S® MX platform, FTH is a robust, scalable technology specifically designed to meet customer demand for broadband access solutions.

Marconi's initial offering is Deep Fiber FTH-1000. This solution delivers carrier-class telephony, high-speed Internet access (Ethernet), Direct Broadcast Satellite (DBS), and a subset of cable television (CATV) services via Marconi's superior architecture. On the horizon is an enhancement to this system that will support the delivery of the full CATV spectrum (50Mhz – 870Mhz).

The Deep Fiber FTH solution supports outside plant "home run" architectures, placing all active electronics in a central office or POP, and at the customer premise.

Deep Fiber FTH Features & Benefits

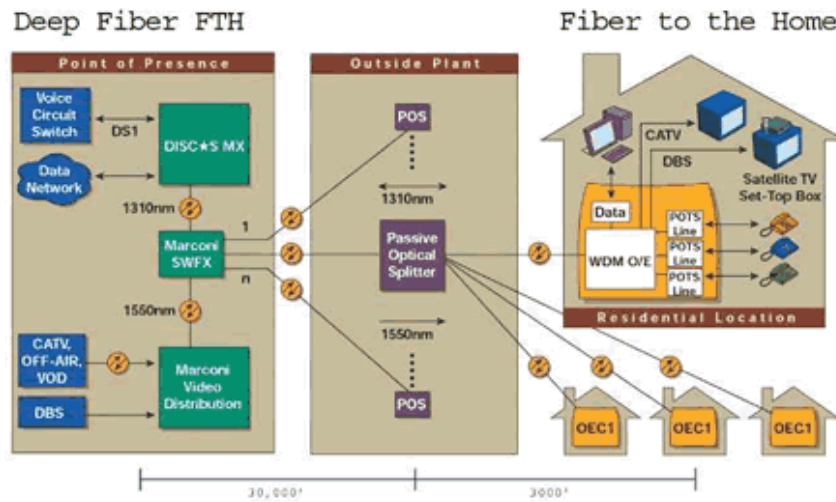
Key Features

- Delivers multiple services from a single platform
- High quality robust delivery of services
- Accommodates diverse applications
- Enables future-proof broadband capabilities

Key Benefits

- Complete solution - provides high-speed Internet access, multiple phone lines, CATV and DBS video
- Saves downtime and maintenance costs - passive optical network has no active components in the field
- Local battery backup – assures 911 emergency service access
- New revenue streams – video, data, and voice
- "Home run" application – houses EMS, HDT, and COT within the central office
- Future proof – meets bandwidth needs today and tomorrow

Deep Fiber FTH Network Diagram





Artisan Technology Group is your source for quality new and certified-used/pre-owned equipment

- FAST SHIPPING AND DELIVERY
- TENS OF THOUSANDS OF IN-STOCK ITEMS
- EQUIPMENT DEMOS
- HUNDREDS OF MANUFACTURERS SUPPORTED
- LEASING/MONTHLY RENTALS
- ITAR CERTIFIED SECURE ASSET SOLUTIONS

SERVICE CENTER REPAIRS

Experienced engineers and technicians on staff at our full-service, in-house repair center

*InstraView*SM REMOTE INSPECTION

Remotely inspect equipment before purchasing with our interactive website at www.instraview.com ↗

WE BUY USED EQUIPMENT

Sell your excess, underutilized, and idle used equipment. We also offer credit for buy-backs and trade-ins. www.artisanng.com/WeBuyEquipment ↗

LOOKING FOR MORE INFORMATION?

Visit us on the web at www.artisanng.com ↗ for more information on price quotations, drivers, technical specifications, manuals, and documentation

Contact us: (888) 88-SOURCE | sales@artisanng.com | www.artisanng.com