



## Artisan Technology Group is your source for quality new and certified-used/pre-owned equipment

- FAST SHIPPING AND DELIVERY
- TENS OF THOUSANDS OF IN-STOCK ITEMS
- EQUIPMENT DEMOS
- HUNDREDS OF MANUFACTURERS SUPPORTED
- LEASING/MONTHLY RENTALS
- ITAR CERTIFIED SECURE ASSET SOLUTIONS

### SERVICE CENTER REPAIRS

Experienced engineers and technicians on staff at our full-service, in-house repair center

### *InstraView*<sup>SM</sup> REMOTE INSPECTION

Remotely inspect equipment before purchasing with our interactive website at [www.instraview.com](http://www.instraview.com) ↗

### WE BUY USED EQUIPMENT

Sell your excess, underutilized, and idle used equipment. We also offer credit for buy-backs and trade-ins. [www.artisanng.com/WeBuyEquipment](http://www.artisanng.com/WeBuyEquipment) ↗

### LOOKING FOR MORE INFORMATION?

Visit us on the web at [www.artisanng.com](http://www.artisanng.com) ↗ for more information on price quotations, drivers, technical specifications, manuals, and documentation

**Contact us:** (888) 88-SOURCE | [sales@artisanng.com](mailto:sales@artisanng.com) | [www.artisanng.com](http://www.artisanng.com)

# **Matrox Meteor-II /Standard**

Installation and Hardware Reference

Manual no. 10577-101-0500

October 9, 2003

Matrox® is a registered trademark of Matrox Electronic Systems Ltd.

Microsoft®, Windows®, and Windows NT® are registered trademarks of Microsoft Corporation.

Intel® and Pentium® are registered trademarks of Intel Corporation.

PC/104™ and PC/104-Plus™ are trademarks of the PC/104 Consortium.

CompactPCI™ is a trademark of PCI Industrial Computer Manufacturers' Group.

All other nationally and internationally recognized trademarks and tradenames are hereby acknowledged.

© Copyright Matrox Electronic Systems Ltd., 2003. All rights reserved.

*Limitation of Liabilities: In no event will Matrox or its suppliers be liable for any indirect, special, incidental, economic, cover or consequential damages arising out of the use of or inability to use the product, user documentation or related technical support, including without limitation, damages or costs relating to the loss of profits, business, goodwill, even if advised of the possibility of such damages. In no event will Matrox and its suppliers' liability exceed the amount paid by you, for the product.*

*Because some jurisdictions do not allow the exclusion or limitation of liability for consequential or incidental damages, the above limitation, may not apply to you.*

*Disclaimer: Matrox Electronic Systems Ltd. reserves the right to make changes in specifications at any time and without notice. The information provided by this document is believed to be accurate and reliable. However, neither Matrox Electronic Systems Ltd. nor its suppliers assume any responsibility for its use; or for any infringements of patents or other rights of third parties resulting from its use. No license is granted under any patents or patent right of Matrox Electronic Systems Ltd.*

PRINTED IN CANADA

# Contents

---

## **Chapter 1: Introduction. . . . . 7**

Matrox Meteor-II /Standard. . . . .	8
Data transfer. . . . .	9
Software . . . . .	9
What you need to get started . . . . .	10
Inspecting the Matrox Meteor-II /Standard package. . . . .	11
Standard package . . . . .	11
Optional items . . . . .	11
Handling components. . . . .	12
Installation overview. . . . .	12

---

## **Chapter 2: Hardware installation . . . . . 15**

Installing Matrox Meteor-II /Standard . . . . .	16
Installing Matrox Meteor-II /Standard for PCI . . . . .	16
Installing Matrox Meteor-II /Standard for CompactPCI . . . . .	18
Installing Matrox Meteor-II /Standard for PC/104-Plus . . . . .	19
Note about Matrox Meteor-II /Standard for PC/104-Plus . . . . .	22
Connecting external devices . . . . .	23
Matrox Meteor-II /Standard for PCI. . . . .	23
Matrox Meteor-II /Standard for CompactPCI. . . . .	24
Connecting a video input to Meteor-II /Standard for PCI or CompactPCI. . . . .	24
Connecting Matrox Meteor-II /Standard for PCI to other boards . . . . .	25
Connecting Matrox Meteor-II /Standard for PCI to the auxiliary power supply input . . . . .	26
Matrox Meteor-II /Standard for PC/104-Plus . . . . .	26

---

**Chapter 3: Using multiple Matrox Meteor-II boards . . . . . 29**

Multiple board installation . . . . . 30  
Grabbing simultaneously from different boards . . . . . 31

---

**Chapter 4: Hardware reference . . . . . 33**

Matrox Meteor-II hardware reference . . . . . 34  
Matrox Meteor-II /Standard grab section . . . . . 34  
    Input channels . . . . . 35  
    Low-pass filter. . . . . 35  
    Video decoder. . . . . 35  
    UART and RS-232 serial port. . . . . 36  
    Trigger . . . . . 36  
    User bits . . . . . 37  
    Using the auxiliary power supply . . . . . 37  
Data interfaces . . . . . 37  
    Video Interface ASIC . . . . . 37  
    PCI interface. . . . . 38  
    VMChannel . . . . . 38

---

**Appendix A: Troubleshooting . . . . . 39**

Troubleshooting. . . . . 40  
Common problems and solutions. . . . . 40  
    Installation Problems . . . . . 40  
    Grabbing Problems . . . . . 42  
    Problems during application development . . . . . 43  
Contacting Matrox. . . . . 43

---

**Appendix B: Technical information . . . . . 45**

Technical information . . . . .	46
General information . . . . .	46
Board input and output connectors . . . . .	47
Video input connector on Matrox Meteor-II /Standard for PCI and CompactPCI. . . . .	49
Video input connector on Matrox Meteor-II /Standard for PC/104-Plus . . . . .	50
BNC connector. . . . .	51
VMChannel interface connector . . . . .	51
Auxiliary power supply input . . . . .	53
Auxiliary power supply selection . . . . .	54
Specifications . . . . .	55
Electrical . . . . .	55
Environmental . . . . .	57

---

**Appendix C: Listing of Matrox Meteor-II /Standard Boards . . . . . 59**

Revisions of Matrox Meteor-II /Standard . . . . .	60
---------------------------------------------------	----

---

**Appendix D: Glossary . . . . . 61**

---

**Index**

---

**Regulatory Compliance**

---

**Product support**



**Chapter**

**1**

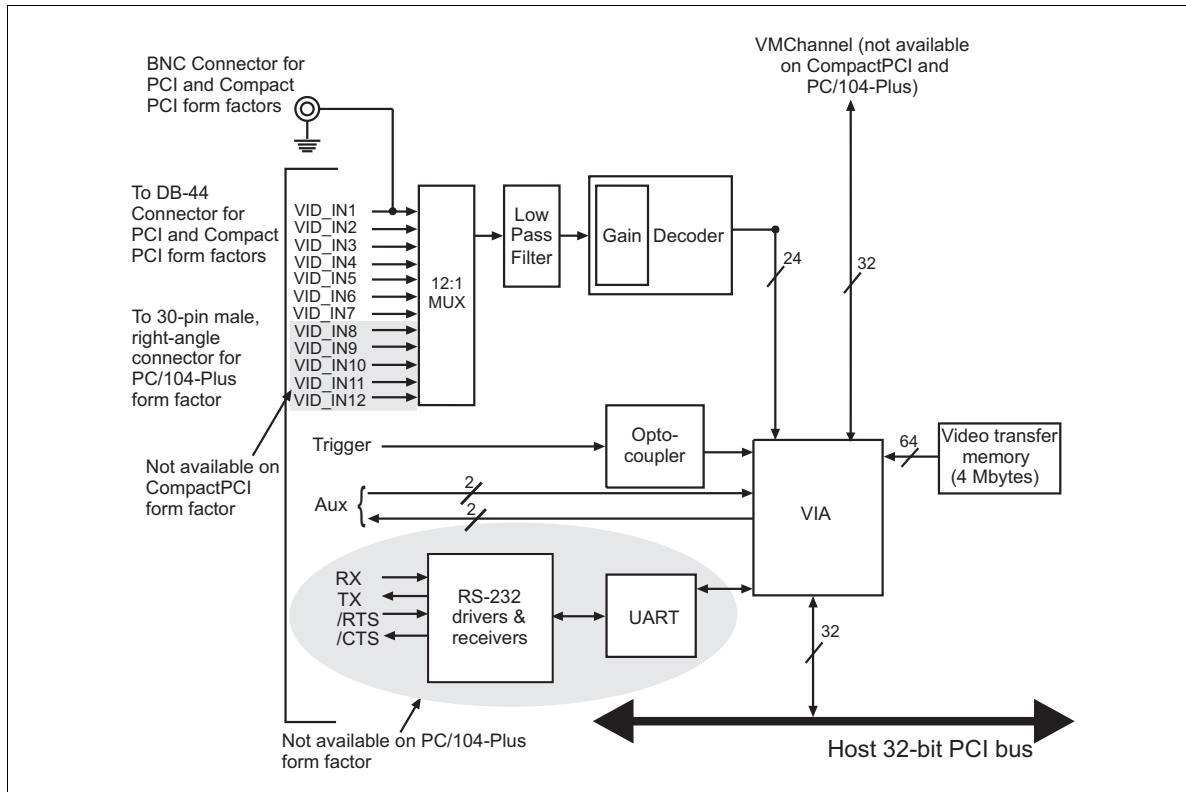
# **Introduction**

This chapter outlines the key features of the  
Matrox Meteor-II /Standard board.



## Matrox Meteor-II /Standard

Matrox Meteor-II /Standard is a standard monochrome and color analog frame grabber. This board is available in a PCI, PC/104-Plus, or CompactPCI (3U) form factor.



### Acquisition features

Matrox Meteor-II /Standard can acquire different types of standard video formats using its video decoder. The video decoder can accept composite (CVBS) and component (Y/C) video in NTSC/PAL formats, and convert it to RGB 8:8:8, YUV 4:2:2 (stored in YUYV format) or YUV 4:1:1, with either square pixels or CCIR-601 resolutions. It can also convert RS-170/CCIR video formats with square pixels or CCIR-601 resolutions. The PCI and PC/104-Plus form factors feature twelve software-selectable input channels to switch between six Y/C or twelve composite video sources. The CompactPCI form factor features seven inputs to switch between three Y/C or seven composite video sources.

Matrox Meteor-II /Standard accepts an external trigger input, and can operate in next valid frame/field mode. The PCI form factor also includes an auxiliary power supply input, which can be used to draw auxiliary power from your computer to provide power to your camera.

### **Data transfer**

The Matrox Meteor-II /Standard board allows the transfer of live video to Host memory or off-board display memory. To prevent loss of data during long bus-access latencies found in heavily loaded computer systems, the Matrox Meteor-II /Standard board features 4 Mbytes of video transfer memory for temporary frame storage. The board is also equipped with the Matrox Video Interface ASIC (VIA), which acts as a video-to-PCI bridge.

The Matrox Meteor-II /Standard for PCI form factor board also has a VMChannel interface (non-bus controller), which is used to send data to other VM devices found on other Matrox Imaging boards (for example, Matrox Genesis main board or Matrox Genesis processor board)<sup>1</sup>.

### **Software**

To operate Matrox Meteor-II /Standard, you can purchase one or more Matrox Imaging software products that support the Matrox Meteor-II /Standard board. These are the Matrox Imaging Library (MIL) and its derivatives (MIL-Lite, ActiveMIL, ActiveMIL-Lite, and Matrox Inspector). All Matrox software is supported under Windows; consult your software manual for supported Windows environments.

- ❖ Note that, although other software products might be available to operate Matrox Meteor-II /Standard, the discussion throughout this manual is based in terms of Matrox Imaging software products.

### **MIL**

MIL is a development library which provides an extensive list of commands used to capture, process, analyze, transfer, display, and archive images. Processing and analysis operations include: geometric transformations, spatial filtering operations, morphological operations, measurements, blob analysis, optical

---

1. Since the Matrox Meteor-II boards cannot perform the function of bus controller, they must be connected with at least one board which is bus controller capable; otherwise, VMChannel transfers will not work.

character recognition (OCR), pattern recognition (Normalized Grayscale Correlation pattern matching and Geometric Model Finder), edge extraction (Edge Finder), matrix/bar code reading, and calibration.

<b>MIL-Lite</b>	MIL-Lite is a subset of MIL. It includes all the MIL commands for image acquisition, transfer, display control, and archiving.
<b>ActiveMIL</b>	ActiveMIL is a set of ActiveX controls that are based on MIL. ActiveMIL was designed for rapid application development (RAD) tools, such as Microsoft's Visual Basic. ActiveMIL is included with MIL (ActiveMIL-Lite is included with MIL-Lite).
<b>Matrox Inspector</b>	<p>Matrox Inspector is an interactive Windows application for image capture, processing, analysis, and archiving.</p> <p>MIL application developers can use Matrox Inspector as a prototyping tool to quickly build proof-of-concept demonstrations for their machine vision, image analysis, and medical imaging system. End users can use Matrox Inspector to perform and automate image enhancement and measurement tasks.</p>
<b>Matrox Intellicam</b>	<p>Matrox Intellicam is an interactive Windows program that allows fast camera interfacing and provides interactive access to all the acquisition features of your Matrox board. With Matrox Intellicam, you can change the size and position of the active region by creating a custom DCF. Matrox Intellicam is included with MIL /ActiveMIL and MIL-Lite /ActiveMIL-Lite.</p>

For more information about Matrox Intellicam, refer to the *Matrox Intellicam User Guide*.

## **What you need to get started**

---

To begin using Matrox Meteor-II /Standard, you need the following:

- A computer with a PCI bus and an Intel Pentium processor (or equivalent) or better.
- Microsoft Windows if using Matrox Imaging software (consult the Matrox Imaging software package for specific supported environments and computer memory/storage requirements).

**Other useful considerations**

- A computer with a newer PCI chipset, such as the Intel 440BX, 810, 815E, 820, 840, 845PE, 850, 860, E7500, or E7505 for full Matrox Meteor-II functionality. These chipsets are recommended because they generally offer better performance in terms of data transfer rates.
- A computer with an empty full-length 32-bit PCI expansion slot (bus-master capable).
- A CD drive, and a hard disk or network drive on which to install the Matrox Meteor-II software.

## **Inspecting the Matrox Meteor-II /Standard package**

---

When you unpack your Matrox Meteor-II /Standard package, you should check its contents. Note that optional parts might or might not be included, depending on what you ordered. If something is missing or damaged, contact your Matrox representative.

### **Standard package**

If you ordered Matrox Meteor-II /Standard, you should receive the following items:

- The Matrox Meteor-II /Standard board.
- The *Matrox Meteor-II /Standard Installation and Hardware Reference* manual (this document).
- A 4-pin power cable included with Matrox Meteor-II /Standard for PCI.
- A 30-pin connector to interface with the video input connector, included with Matrox Meteor-II /Standard for PC/104-*Plus* (stand-alone version).

### **Optional items**

You might have also ordered one or more of the following:

- MIL-32/CD, which includes ActiveMIL; MIL-LITE/CD, which includes ActiveMIL-Lite; or Matrox INSPECTOR-32/CD. Both the MIL and MIL-Lite CDs include Matrox Intellicam.

- The VMChannel interconnect kit (GEN-BUS/#) for Matrox Meteor-II /Standard for PCI.
- DBHD44-TO-13BNC input cable with a high density 44-pin connector and thirteen BNC connectors for the Matrox Meteor-II /Standard for PCI and CompactPCI form factors. Six BNC-TO-SVHS (Y/C) adapter cables are supplied with the DBHD44-TO-13BNC cable.
- DH44-TO-13BNC/O input cable with a high density 44-pin connector. This cable is required if you want to connect to special input and output signals, such as synchronization signals, control signals, and DC power output.
- 6U replacement bracket for Matrox Meteor-II /Standard for CompactPCI (3U).

### **Handling components**

The electronic circuits in your computer and the circuits on Matrox Meteor-II /Standard are sensitive to static electricity and surges. Improper handling can seriously damage the circuits. Be sure to follow these precautions:

- Drain static electricity from your body by touching a metal fixture (or ground) before you touch any electronic component.
- Avoid letting your clothing come in contact with the circuit boards or components.

### **Caution**

Before you add or remove devices from your computer, always **turn off** the power to your computer and all peripherals.

## **Installation overview**

---

The installation procedure consists of the following steps:

1. Complete the hardware installation as described in Chapter 2. If you have any problems, refer to Appendix A.
2. Complete the software installation as described in the documentation accompanying your software package.

- More information** For information on using multiple Matrox Meteor-II boards, refer to Chapter 3, and for in-depth hardware information, refer to Chapter 4.
- If you want technical information about Matrox Meteor-II /Standard, including specifications and connector descriptions, and pinouts, refer to Appendix B.
- A revision history for the Matrox Meteor-II /Standard is available in Appendix C.
- Conventions** When the term *Host* is used in this manual, it refers to your computer.
- This manual occasionally makes reference to a MIL-Lite command. However, anything that can be accomplished with MIL-Lite can also be accomplished with MIL, ActiveMIL, ActiveMIL-Lite, or Matrox Inspector.<sup>1</sup>
- Need help?** Appendix A offers solutions to potential problems. If your Matrox Meteor-II /Standard installation questions are not answered in this manual, contact your local Matrox representative, Matrox Sales Office, or Matrox Imaging Customer Support Group (see the *Customer Support* section at the back of this manual for telephone numbers).
- In the unlikely event of a failure, the warranty and *Product Assistance Request Form* at the back of this manual outlines return conditions and procedures.

---

1. Most items can be accomplished with Matrox Inspector.



**Chapter**

# 2

## **Hardware installation**

This chapter explains how to install the  
Matrox Meteor-II /Standard hardware.



## Installing Matrox Meteor-II /Standard

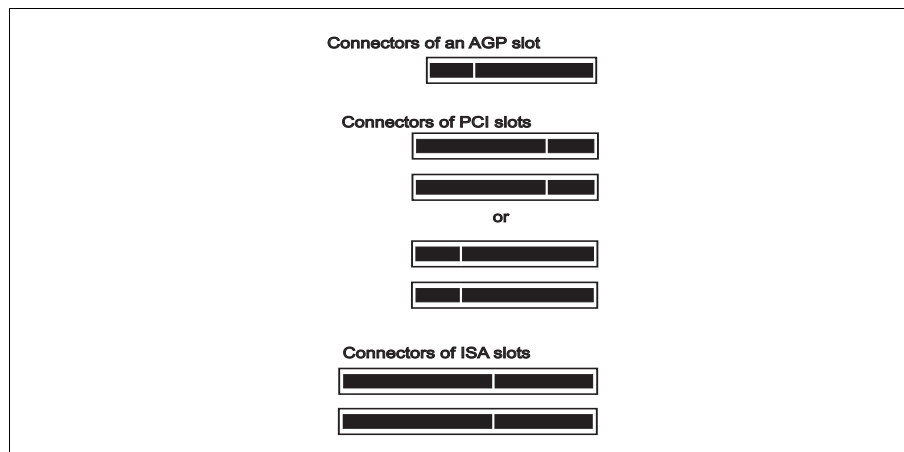
Before you install your board, some precautionary measures must be taken. Turn off the power to the computer and its peripherals, and drain static electricity from your body (by touching a metal part of the computer chassis). Next, follow the steps to install your board according to its form factor: PCI, CompactPCI, or PC/104-Plus.

- ❖ If you are not using Windows NT as your operating system, your board must be installed before you install the software (either MIL or one of its derivatives). If you are adding another Matrox Meteor-II to your computer, you will have to re-install your software after installing your board.

### Installing Matrox Meteor-II /Standard for PCI

Use the following steps to install your Matrox Meteor-II board for PCI:

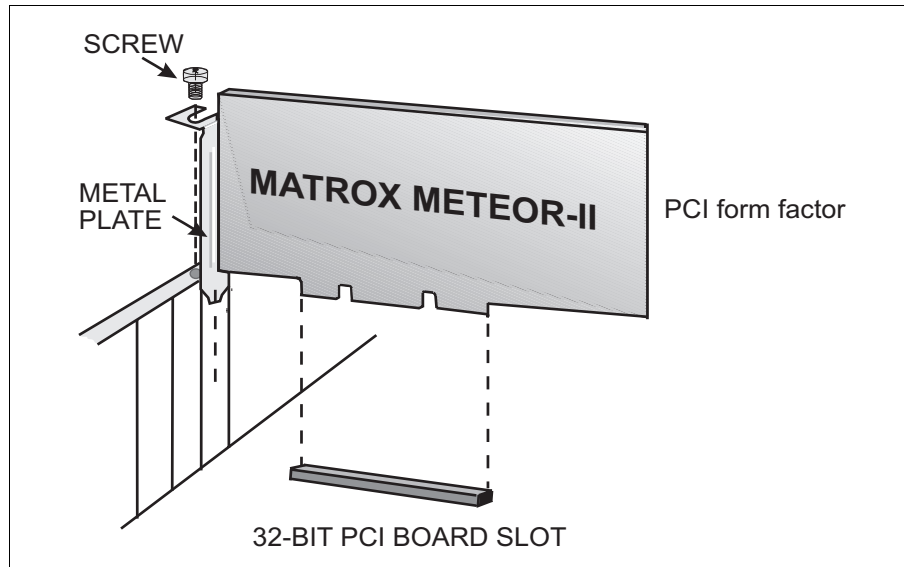
1. Remove the cover from your computer using the instructions from your computer manual.
2. Check that you have an empty PCI (32-bit) slot that can accommodate the board. If you do not have an empty slot, remove a PCI board from your computer to make room for your Matrox Meteor-II board and take note of the slot number you choose.



**Caution**

Some computers have a large, black-ridged heat sink that prevents boards from occupying most PCI slots. Your Matrox Meteor-II **must not** touch this heat sink. Therefore, choose a slot where the board completely avoids it.

3. If present, remove the blank metal plate located at the back of the selected slot. Keep the removed screw; you will need it to fasten the Matrox Meteor-II board.
4. Carefully position Matrox Meteor-II in the selected PCI slot as illustrated below. If you are using a tower computer, orient the board to suit the board slots in your computer.



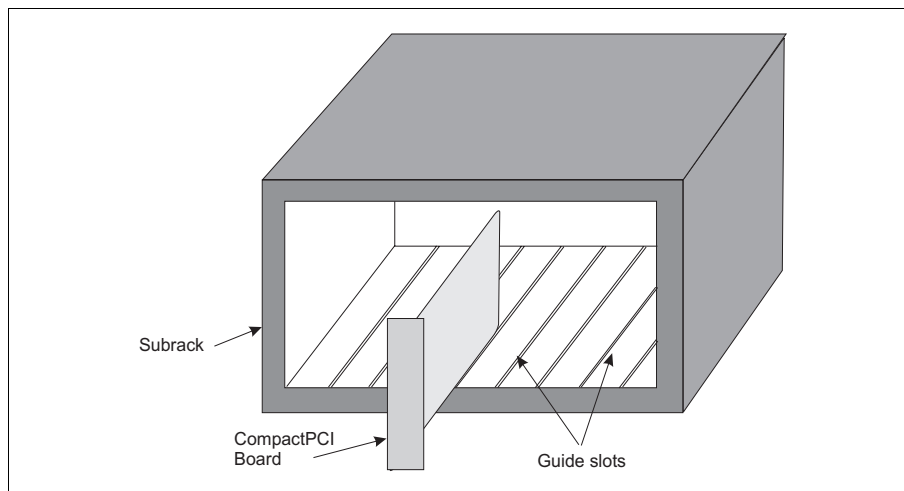
5. Once perfectly aligned with an empty slot, press the board firmly but carefully into the connector.
6. Anchor the board by replacing the screw that you removed.
7. Replace the cover of your computer.
8. Connect your video sources. For details, see the *Connecting external devices* section.
9. Turn on your computer.

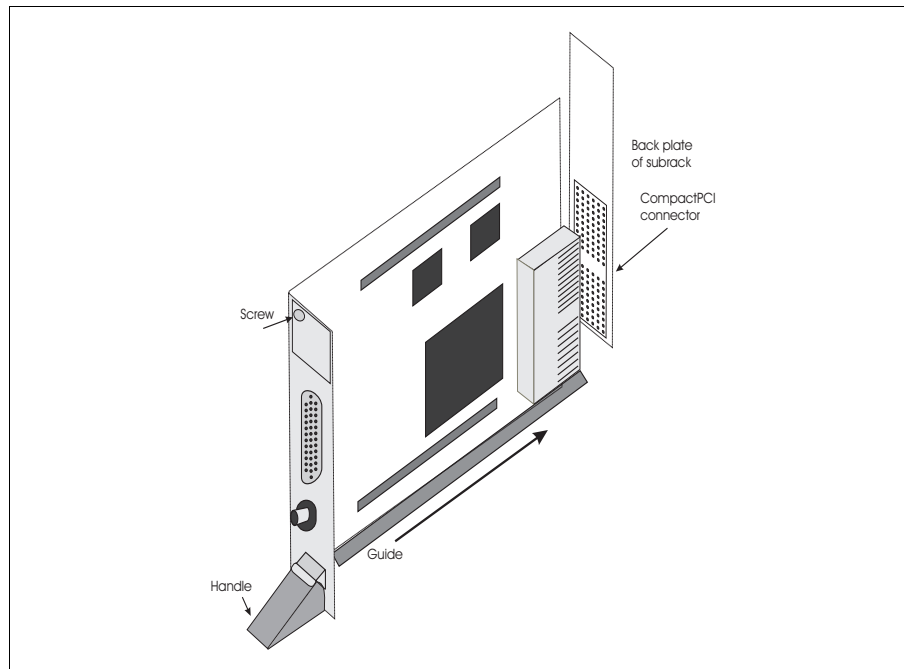
In some cases, when you boot your computer, Windows' Plug-and-Play system will detect a new PCI card and you will be asked to assign a driver to it. At this point, you should click on **Cancel** because the driver will be installed during the installation of MIL or one of its derivatives.

### **Installing Matrox Meteor-II /Standard for CompactPCI**

Use the following steps to install your Matrox Meteor-II board for CompactPCI (3U). Note that a 6U replacement bracket is optional.

1. Remove a plate on the subrack, exposing an empty slot.
2. Carefully position Matrox Meteor-II along one of the guide rails and slide the board towards the connector at the back.





3. Press the board firmly but carefully into the connector.
4. When the board is in place, the handle opens automatically, exposing a screw. Tighten both this screw, and the one at the top of the bracket.
5. Connect your video sources. For details, see the *Connecting external devices* section.
6. Turn on your computer.

In some cases, when you boot your computer, Windows' Plug-and-Play system will detect a new PCI card and you will be asked to assign a driver to it. At this point, you should click on **Cancel** because the driver will be installed during the installation of MII or one of its derivatives.

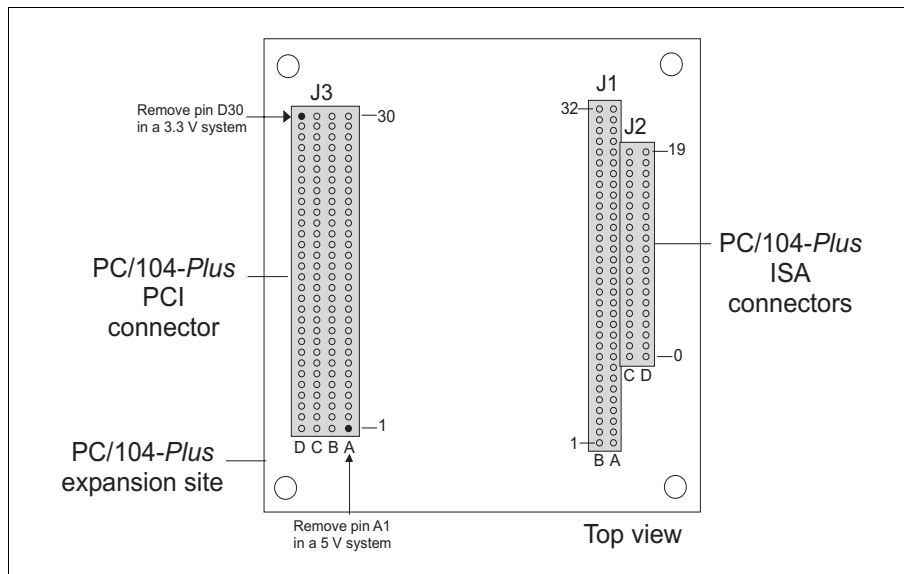
### **Installing Matrox Meteor-II /Standard for PC/104-Plus**

This section refers to the stand-alone version of Matrox Meteor-II /Standard for PC/104-Plus. The version pre-configured for Matrox 4Sight-II is not discussed in this manual. For more information, see *Note about Matrox Meteor-II /Standard for PC/104-Plus* later in this chapter.

Use the following steps to install your Matrox Meteor-II board for PC/104-Plus:

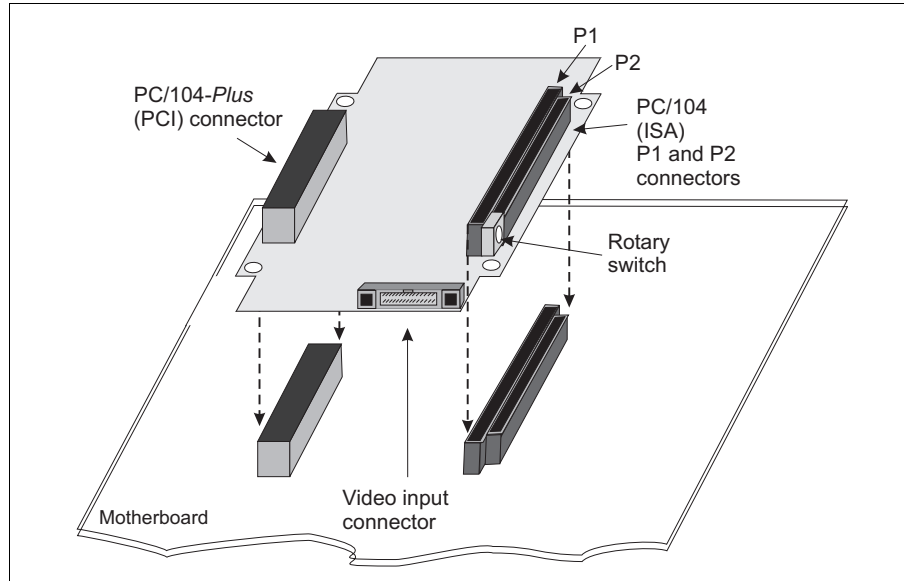
1. Matrox Meteor-II for PC/104-Plus can operate in either a 5V or 3.3V system. In some cases, a hole in the PC/104-Plus (PCI) connector is filled, which prevents another PC/104-Plus board from being stacked on top. To install Matrox Meteor-II for PC/104-Plus in a system with a specific signalling environment, a pin must be removed. The table and diagram below indicate which pins to cut, and their locations on the connector.

Signalling environment	Pin to remove on J3 connector
5V	A1
3.3V	D30



2. Check that you have an available PC/104-Plus connector on the motherboard, or verify that your existing stack can support another board.
3. Remove the anchoring screws from the stack; do not discard them since you will need them to fasten the Matrox Meteor-II board.
4. If you have existing PC/104 boards in your computer, remove them and stack them on the PC/104-Plus board. PC/104 boards must be stacked last.

5. Carefully position Matrox Meteor-II over the connectors and press the board firmly into place.
6. Replace the anchoring screws.
7. Set the rotary switch (next to the PC/104 (ISA) connector) to 0 if installing the first stackable board, or another appropriate setting if not the first. See the section, *Multiple board installation*, in Chapter 3.

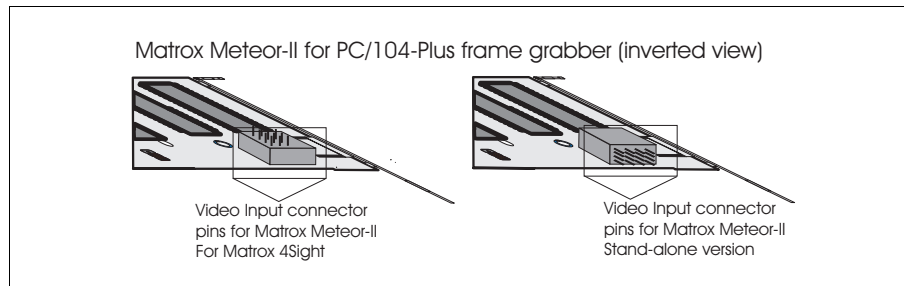


8. Connect your video sources. For details, see the *Connecting external devices* section.
9. Turn on your computer.

In some cases, when you boot your computer, Windows' Plug-and-Play system will detect a new PCI card and you will be asked to assign a driver to it. At this point, you should click on **Cancel** because the driver will be installed during the installation of MIL or one of its derivatives.

## Note about Matrox Meteor-II /Standard for PC/104-Plus

A version of Matrox Meteor-II /Standard for PC/104-Plus accompanies the Matrox 4Sight-II integrated unit. It differs slightly in its structure from its stand-alone counterpart. The stand-alone version of the Matrox Meteor-II for PC/104-Plus has a video input connector that lies in the same plane as the board (in other words, the pins are parallel to the board). The version that accompanies the Matrox 4Sight-II integrated unit lies in a plane perpendicular to the board. The latter allows the Matrox Meteor-II board to be hardwired to the input connector of the Matrox 4Sight-II unit; as such, it can only be used as the first board in the PC/104-Plus stack on the Matrox 4Sight-II unit.



When ordered as part of the Matrox 4Sight-II unit, Matrox Meteor-II for PC/104-Plus comes pre-installed. See the *Matrox 4Sight-II installation and hardware reference* manual for more information.

## Connecting external devices

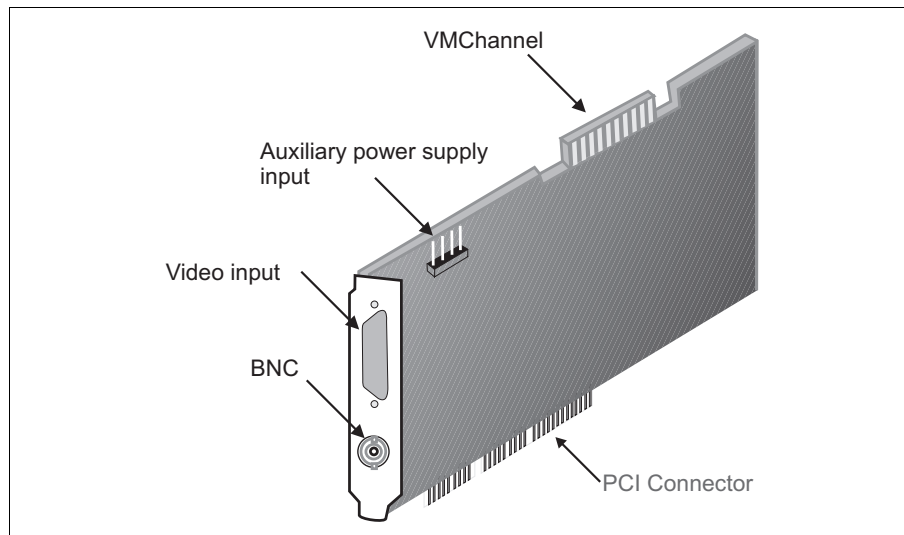
---

All form factors of Matrox Meteor-II /Standard have their own particularities regarding connectors and input devices.

### Matrox Meteor-II /Standard for PCI

Matrox Meteor-II /Standard for PCI has five connectors, which are indicated in the diagram below. Two of these connectors are located on its bracket. The first four connectors listed are discussed in detail in Appendix B.

- **Video input connector.** Used to receive analog video, as well as send and receive synchronization signals and power.
- **BNC connector.** Used to receive composite analog video.
- **Auxiliary power supply input.** Used to route power from your computer through the Matrox Meteor-II board to your camera.
- **VMChannel connector.** Used to send data to another Matrox board.
- **PCI Connector.** Used to connect your board to the PCI bus.

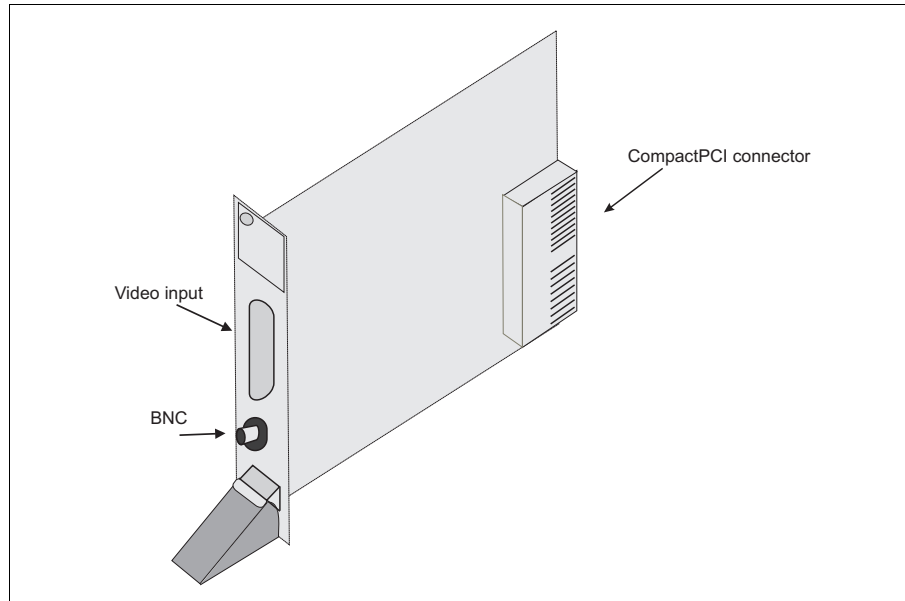




### Matrox Meteor-II /Standard for CompactPCI

Matrox Meteor-II for CompactPCI has three connectors, which are indicated in the diagram below. Two of these connectors are located on its bracket, and are discussed in detail in Appendix B.

- **Video input connector.** Used to receive analog video, as well as send and receive synchronization signals and power.
- **BNC connector.** Used to receive composite analog video.
- **CompactPCI connector.** Used to connect your board to the PCI bus.



### Connecting a video input to Meteor-II /Standard for PCI or CompactPCI

You can connect video sources to Matrox Meteor-II /Standard's video input connector, using the optional DBHD44-TO-13BNC cable. This cable has thirteen BNC connectors and a 44-pin high-density D-Subminiature plug. The wires of the cable are listed in the following table.

- ❖ Consult the document provided with your cable for the color-coding of the wires.

Wires	Signals	Expected Input	Form factor
1	VID_IN1	Analog Video Input1 or Y1	PCI, CompactPCI
2	VID_IN2	Analog Video Input2 or C1	PCI, CompactPCI
3	VID_IN3	Analog Video Input3 or Y2	PCI, CompactPCI
4	VID_IN4	Analog Video Input4 or C2	PCI, CompactPCI
5	VID_IN5	Analog Video Input5 or C4	PCI, CompactPCI
6	VID_IN6	Analog Video Input6 or Y3	PCI, CompactPCI
7	VID_IN7	Analog Video Input7 or C3	PCI, CompactPCI
8	VID_IN8	Analog Video Input8 or Y4	PCI
9	VID_IN9	Analog Video Input9 or Y5	PCI
10	VID_IN10	Analog Video Input10 or C5	PCI
11	VID_IN11	Analog Video Input11 or Y6	PCI
12	VID_IN12	Analog Video Input12 or C6	PCI
13	VID_IN13	External trigger input*	PCI, CompactPCI

\*OPTOTRIG- is usually connected to the ground of the trigger source.

Connect the supplied BNC-TO SVHS adaptor cables to the DBHD44-TO-13BNC cable for Y/C input. The PCI form factor supports up to six Y/C sources, and the CompactPCI form factor supports up to three.

Wires on BNC-TO-SVHS	Wires on DBHD44-TO-13BNC						Description
Y	1	3	6	8	9	11	Luminance
C	2	4	7	5	10	12	Chrominance

### Connecting Matrox Meteor-II /Standard for PCI to other boards

The VMChannel interface allows the transfer of data to other Matrox boards. Insert a VMChannel backplane (available with the interconnect kit) across the VMChannel interface to connect the boards. Note that when connecting multiple Matrox boards, at least one of the boards must be a bus-controller. Matrox Meteor-II cannot be a bus-controller.

- ❖ The VMChannel is not supported on the CompactPCI and the PC/104-Plus form factors.

### **Connecting Matrox Meteor-II /Standard for PCI to the auxiliary power supply input**

To use Matrox Meteor-II /Standard for PCI to power your camera:

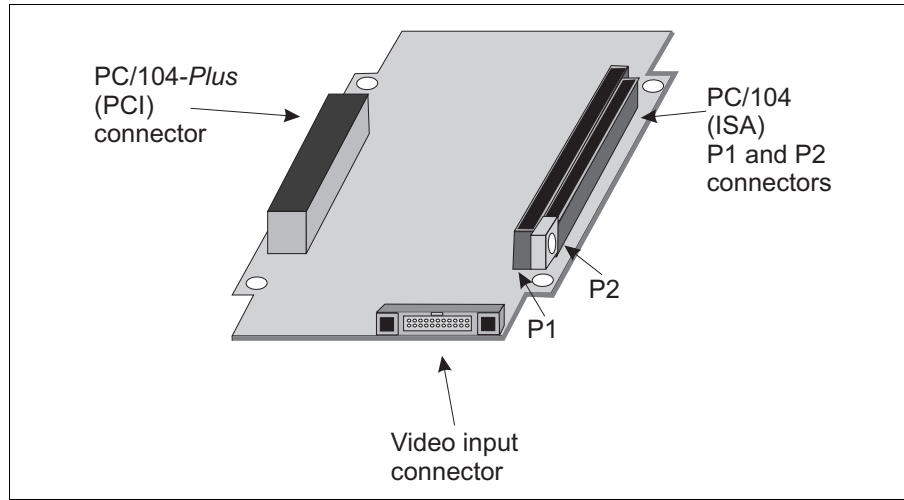
1. Use the 4-pin power cable to connect the auxiliary power supply connector to the power supply in the computer.
2. Ensure that the jumper is across the appropriate Matrox Meteor-II auxiliary power supply selection pins, for the required voltage (5 V or 12 V). See Appendix B for a diagram.
3. Use the DBHD44-TO-13BNC/O cable to connect your camera's video output and power supply input to the video input connector. Note that the total current drawn by all the cameras is limited to 1.5 A, and the circuit uses an auto-resettable fuse.

### **Matrox Meteor-II /Standard for PC/104-Plus**

Matrox Meteor-II /Standard for PC/104-Plus has four connectors, which are indicated in the diagram below. The pinout for the video input connector is described in Appendix B.

- **Video input connector.** A connector used to receive analog video, as well as send and receive synchronization signals and power.
- **PC/104-Plus (PCI) connector.** An interface connector to send data across the PCI bus.

- **PC/104 (ISA) connectors.** Two interface connectors to allow data to be sent between the ISA bus and other PC/104 or PC/104-Plus boards, stacked on top of the Matrox Meteor-II board.



Connect video sources to Matrox Meteor-II /Standard through its video input connector, a 30-pin right-angle male connector. A standard cable for PC/104-Plus form factor boards is not available from Matrox. You can use the included mating connector, crimp the ribbon cable to it and attach your required connector to the other end of the ribbon cable. Then, connect this custom cable to the video input connector. See Appendix B for the pinouts, signals, and ribbon cable information for the /Standard board.

The Matrox Meteor-II /Standard for PC/104-Plus, designed for Matrox 4Sight-II, has a custom video input connector that attaches directly to the motherboard, which in turn, is hard-wired to the video-input connector on the back side of the unit. Therefore, you can interface a camera with the PC/104-Plus board by connecting the camera to your unit's video input connector. Detailed information on connecting a video input to this board can be found in the *Matrox 4Sight-II installation and hardware reference manual*.



Chapter

# 3

## **Using multiple Matrox Meteor-II boards**

This chapter explains how to use multiple Matrox Meteor-II boards.

## Multiple board installation

This section describes how to use multiple Matrox Meteor-II boards.

### Installing multiple PCI and CompactPCI boards

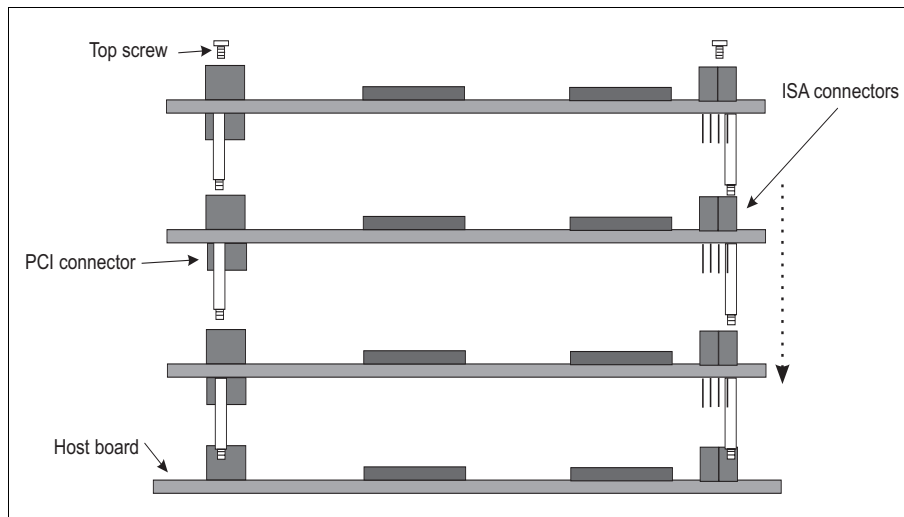
Install each additional Matrox Meteor-II board, PCI and CompactPCI form factors, as you installed the first board (refer to Chapter 2). In other words, place each additional board in an empty slot. For the PCI form factor, ensure that the installed boards avoid the CPU heat sink.

Theoretically, you can have as many as 16 Matrox Meteor-II PCI/CompactPCI boards installed in your computer at one time; this number is, however, limited by the number of empty slots in your computer and, for simultaneous grabs, by the available bandwidth of your computer (discussed later in this chapter).

Using MIL-Lite, you have to allocate a MIL system for each board and allocate the resources of each MIL system.

### Installing multiple PC/104-Plus boards

The number of PC/104-Plus boards that you can stack depends on the computer you are using. If using a Matrox 4Sight-II integrated unit, you can stack a maximum of three PC/104-Plus boards, as shown in the diagram below. Note that if you have PC/104 boards in your computer, they must be placed at the top of the stack.



In addition, you must set the rotary switch of each PC/104-Plus board to a unique setting in the stack. Setting the rotary switch dedicates a group of PCI signals to the board in the stack: clock, request grant, ID select, and interrupt signals. It is recommended that the first board installed (the board closest to the Host CPU board) be configured to 0, the second 1, and so on. The table below shows the recommended switch setting for each board, as well as the corresponding settings for the dedicated signals.

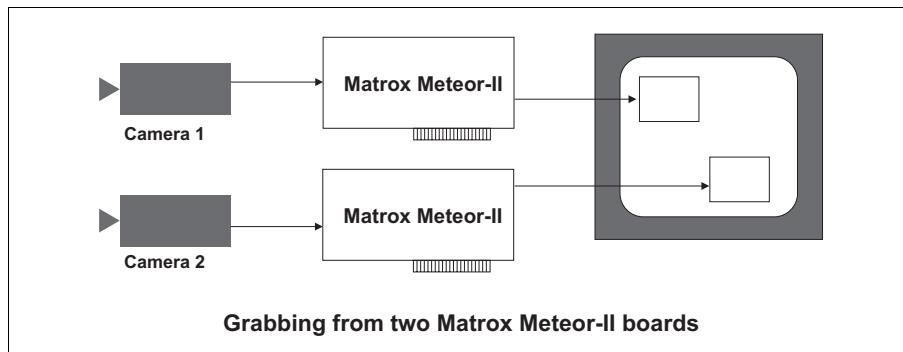
Switch position	Board position	Interrupt	Request grant	ID select
0 or 4	1	Interrupt A	0	0
1 or 5	2	Interrupt B	1	1
2 or 6	3	Interrupt C	2	2
3 or 7	4	Interrupt D	2	3

If you are installing an additional Matrox Meteor-II board on a Matrox 4Sight-II unit, the board already installed has the setting fixed at 0; therefore, the setting for the additional board must be something other than 0 or 4.

## Grabbing simultaneously from different boards

You can simultaneously grab images from cameras attached to different Matrox Meteor-II boards. To grab at exactly the same time, the cameras must be genlocked (synchronized) and their corresponding digitizer configuration formats must be the same.

The number of cameras from which you can simultaneously grab is determined by the PCI bandwidth available in your computer.





**PCI bandwidth requirements**

Matrox Meteor-II /Standard has a low susceptibility to PCI bus latency due to its 4 Mbytes of video transfer memory. In addition, sustained PCI-transfers to memory require the use of a high performance PCI core-logic chipset, such as the Intel 820, 840, 850, 860, or E7505. If a high performance chipset is used with a Matrox Meteor-II /Standard board, you should not have any PCI bandwidth problems when grabbing up to two full-sized color images simultaneously (using two boards). However, grabbing more than two full-sized color images simultaneously might result in PCI bandwidth problems.

As a reference point, grabbing one full-sized NTSC or PAL image in real time will require a PCI bandwidth of 35 Mbytes/sec or 42 Mbytes/sec, respectively, when transferring in RGBX (32-bit) mode.

When grabbing from three or more Matrox Meteor-II boards simultaneously, you will have to reduce the image size to avoid reaching the upper limits of the overall available bandwidth.

**Chapter**

# 4

## **Hardware reference**

This chapter explains the architecture of the Matrox Meteor-II /Standard hardware, as well as the available features and modes.

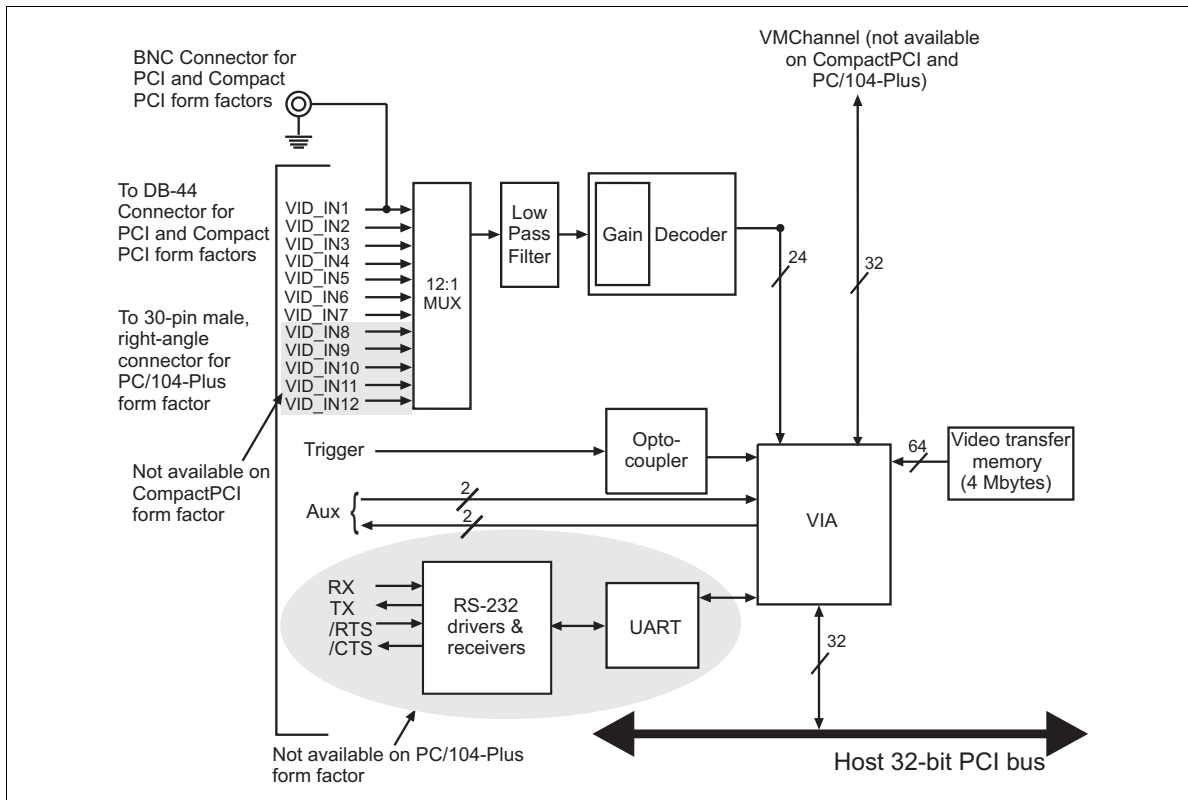
## Matrox Meteor-II hardware reference

This chapter provides information on the architecture, operating modes, and supported features of the Matrox Meteor-II /Standard board.

For a summary of the information given in this chapter and detailed specifications of connectors and pinouts, refer to Appendix B of this manual.

### Matrox Meteor-II /Standard grab section

The grab section of the Matrox Meteor-II /Standard board uses a video decoder to capture RS-170 /CCIR monochrome video and composite (CVBS) and component (Y/C) video in NTSC /PAL format.



## Performance

The video timing parameters supported by the Matrox Meteor-II /Standard board are as follows:

	CCIR 601 sampling rates		Square pixel sampling rates	
	NTSC	PAL	NTSC	PAL
Field rate (Hz)	60	50	60	50
Pixel/line (Pixels)	858	864	780	944
Active pixel/line (Pixels)	720	720	640	768
Active lines/frame (Lines)	480	580	480	580
Pixel rate (MHz)	13.5	13.5	12.27	14.75
ADC sampling rate (MHz)	27	27	24.54	29.50
Line rate (KHz)	15.750	15.625	15.750	15.625

### Input channels

Matrox Meteor-II /Standard for PCI and PC/104-Plus can switch between up to twelve independent composite or six Y/C video sources.

Matrox Meteor-II /Standard for CompactPCI can switch between seven independent composite sources, or up to three Y/C video sources.

You can only acquire data from one channel at a time. A channel is selected with the MIL-Lite command, `MdigChannel()`.

### Low-pass filter

The input low-pass filtering stage is used to limit high frequency noise and aliasing effects at the input of the decoder. The filter used on Matrox Meteor-II /Standard for PCI and CompactPCI is a 4th order Butterworth filter with a cutoff frequency of 8 MHz. The filter used on Matrox Meteor-II /Standard for PC/104-Plus is a single-order filter with a cutoff frequency of 6 MHz.

### Video decoder

A multi-standard video decoder is used to convert NTSC and PAL analog video signals that are composite (CVBS) or component (Y/C) to digitized component video. The decoder supports RGB 8:8:8 (24-bit), RGB 5:6:5, YUV 4:2:2, and YUV 4:1:1 output pixel formats. Note that YUV 4:2:2 output pixel formats are grabbed as YUYV.

The video decoder on all form factors also features automatic gain control (AGC). However, you can disable this feature (MIL-Lite **MdigControl()** with `M_GRAB_AUTOMATIC_INPUT_GAIN` set to `M_DISABLE`) and adjust the gain manually (**MdigControl()** with `M_GRAB_INPUT_GAIN`).

### **UART and RS-232 serial port**

Matrox Meteor-II /Standard for PCI and CompactPCI feature a Universal Asynchronous Receiver/Transmitter (UART) that provides an RS-232 serial interface. For example, this allows you to remotely control a camera or a motion control unit, or communicate with a program logic controller (PLC). The UART is programmed using the MIL-Lite command **MdigControl()** with the `M_UART..` control types.

### **Trigger**

Matrox Meteor-II /Standard accepts an external trigger input which allows image acquisition to be synchronized to external events. The trigger is synchronous to the incoming video stream and it is received through an opto-coupler that isolates the rest of the circuitry from electrical surges. Matrox Meteor-II /Standard operates in next valid frame/field mode. When in this mode, the digitizer waits for the next valid frame or field (as specified by the DCF file) before commencing the grab. This trigger mode functions in one of three ways:

- **Edge-triggered monoshot acquisition.** The VIA (Video Interface Asic) waits for the rising/falling edge to capture a single frame.
  - **Edge-triggered continuous acquisition.** The VIA waits for the rising/falling edge to start a continuous grab.
  - **Level-sensitive "continuous" acquisition.** The VIA grabs continuously while the level of the trigger is high/low.
- ❖ The polarity of the active and inactive levels of the trigger signal is software programmable.

Trigger signals connected to the OPTOTRIG- and OPTOTRIG+ input pins pass through an opto-coupler, a device that protects the board from electrical surges; OPTOTRIG- is usually connected to the ground of the trigger source.

**User bits**

Matrox Meteor-II /Standard supports four auxiliary user bits through the video input connector: two input and two output. These are available for controlling external events such as a strobe light. User bits are programmed using the MIL-Lite command `MdigControl()`. For information on the user bits electrical specifications, see the section *Specifications* in Appendix B.

- ❖ Note that auxiliary output signals are driven by open collector buffers with an on-board pull-up resistor of 4.7 K $\Omega$ .

**Using the auxiliary power supply**

Matrox Meteor-II /Standard can supply power to your camera. Use the 4-pin power cable provided with your board to connect to the power supply of your computer. The operating voltage can be set to either 5 V or 12 V, but the current drawn by all cameras is limited to 1.5 A. The circuit uses an auto-resettable fuse. For further information on connecting to the auxiliary power supply connector, see the section, *Connecting Matrox Meteor-II /Standard for PCI to the auxiliary power supply input* in Chapter 2, and Appendix B. Note that this input is not available on the CompactPCI and PC/104-Plus form factors.

**Data interfaces**

---

**Video Interface ASIC**

The Matrox Meteor-II /Standard board has a VIA (Video Interface ASIC), which acts mainly as a video-to-PCI bridge. The VIA is capable of high-speed image transfers to Host memory or other PCI devices across the PCI bus. It uses 4 Mbytes of video transfer memory to store data until the PCI bus becomes available. On the PCI form factor, the VIA also supports image transfers across the VMChannel to one or more Matrox Imaging boards for accelerated image processing or display.

**Simultaneous data streams**

Matrox VIA can manage up to two simultaneous data streams. For example, it can grab into video transfer memory, and concurrently transfer data over the VMChannel or PCI buses.

**General features**

The VIA is capable of separating an image into three planes (for example, RGB packed to RGB planar).

### **PCI interface**

Matrox Meteor-II has a 32-bit PCI bus interface, capable of a peak transfer rate of 132 Mbytes/sec.

### **The VIA's PCI interface**

The VIA's PCI interface is 32 bits wide and operates at 33 MHz. It allows all VIA resources to be accessed through a 128-Mbyte memory region, mappable anywhere in the 4-Gbyte PCI address space.

In addition, the PCI interface supports various plane and pixel transfer modes by using some of the VMChannel logic. Consequently, VMChannel and PCI transfers cannot be performed simultaneously.

Read pre-fetch and write posting buffers are integrated to optimize Host access.

### **VMChannel**

Matrox Meteor-II provides a 32-bit non-bus controller VMChannel interface for a secondary or additional high-speed connection between on-board and external devices. On a backplane system, the VMChannel runs at 33 MHz for 132 Mbytes/sec peak transfer rates.

The VMChannel is only available on the PCI form factor of Matrox Meteor-II/Standard.

# **Appendix A:**

## **Troubleshooting**

This appendix gives suggestions to help you resolve potential problems. If your problem is not addressed here, contact your local Matrox representative, Matrox Sales Office, or the Matrox Imaging Customer Support Group.



## Troubleshooting

---

If you have problems using your Matrox Meteor-II board, please try the following:

- Check for disconnected power cords.
- Read the *Common problems and solutions* section in this chapter.

If your problem is not addressed in this chapter or if the solutions suggested don't work for you, contact your local Matrox representative, Matrox Sales Office, or the Matrox Imaging Customer Support Group.

## Common problems and solutions

---

### Installation Problems

#### ✎ PC/104-Plus board cannot be stacked

- If you cannot stack your PC/104-Plus board, check the connectors of the last board in the stack and determine if any of its PCI connector's holes are filled. If this is the case, cut the corresponding pins on your board. See the section, *Installing Matrox Meteor-II /Standard for PC/104-Plus* in Chapter 2.
- If your computer has PC/104 modules, you must re-stack them so the PC/104 modules are on top of PC/104-Plus boards. Be sure to reset the rotary switches for your new stack configuration.

#### ✎ Board service fails to start

This could happen due to the following two reasons:

- The MIL Matrox Meteor-II drivers are not installed correctly.
  - When the board fails to start under Windows 2000, the driver might not have started. Right-click on **My Computer**, and select **Manage** from the presented menu. From the **Computer Management** explorer window, select the **System Tools**, followed by **Device Manager**. If you do not see a Matrox Meteor-II device under **Matrox Imaging Adapters**, you will have to reinstall the driver.

- When the board fails to start under Windows XP, the driver might not have started. Click on the **Start** button, open the **Control Panel**, select **Administrative Tools**, and open **Computer Management**. From the **Computer Management** explorer window, select **System Tools**, followed by **Device Manager**. If you do not see a Meteor-II device under **Matrox Imaging Adapters**, you will have to reinstall the driver.

If the above solution for your operating system does not work, try the following.

- The driver also might not start due to too much or insufficient allocation of DMA memory. To address this problem, re-allocate DMA memory using the included *milconfig.exe* utility.
- There is a conflict in the BIOS Setup program. This problem generally occurs when there is a PCI memory mapping error or when there is a PCI-IRQ routing error. To resolve this problem with the PCI form factor, first try to swap boards from one PCI slot to another; for the *PC/104-Plus*, change the rotary switch settings. If the problem still persists, try upgrading your BIOS.

If the above solution does not work, try the following to determine if there is an IRQ conflict.

- Under Windows 2000, right-click on **My Computer**, and select **Manage** from the presented menu. From the **Computer Management** explorer window, display the *System Tools\ System Information\ Hardware Resources\ IRQs* folder. Check for devices that are sharing an IRQ with your Matrox frame grabber.
- Under Windows XP, click on the **Start** button, open the **Control Panel**, select **Administrative Tools**, and open **Computer Management**. From the **Computer Management** explorer window, select **System Tools**, followed by **Device Manager**. From the **View** menu, select the **Resources by type**, and expand the **Interrupt request (IRQ)** folder. Check for devices that are sharing an IRQ with your Matrox frame grabber.

✎ **Not enough memory to allocate grab buffer**

This is the message that you will receive if you try to allocate a grab buffer that is greater than the amount of DMA memory specified during software installation. This problem can be addressed by changing the amount of DMA memory on your computer. Re-allocate DMA memory using the included *milconfig.exe* utility. Alternatively, uninstall and reinstall MIL and specify the appropriate amount of DMA memory.

**Grabbing Problems**

✎ **The trigger pulse is not being sent**

This happens when the opto-isolated trigger pulse is not connected. When using the opto-isolated trigger, both OPTOTRIG- and OPTOTRIG+ signals must be connected. OPTOTRIG- is usually connected to the ground of the trigger source.

✎ **IRQ conflicts**

In general, PCI devices can share an interrupt line (IRQ). However, sometimes this might not be possible. The types of difficulties that you might run into are as follows:

- IRQ conflict under Windows 2000/XP
  - To resolve this problem with the PCI and CompactPCI form factors, re-assign a different IRQ line to the PCI slot in which the Matrox Meteor-II board is installed.
  - To resolve this problem with the PC/104-Plus form factor, change the rotary switch settings.
- ❖ Note that PCI devices cannot share interrupt lines with EISA or ISA devices.

Other possible solutions to the above problems:

- Move the Matrox Meteor-II board to another (free) PCI slot.
- Swap Matrox Meteor-II with another board, by switching PCI slots.

## Problems during application development

### ↘ Computer 'hangs' or produces unwanted results while an application is running

Sometimes, an EISA or ISA device might attempt to use the same interrupt, registers, or memory space as PCI boards, and this causes a conflict. Check for an interrupt, memory, or register conflict:

- Under Windows 2000, right-click on **My Computer**, and select **Manage** from the presented menu. From the **Computer Management** explorer window, display the *System Tools\ System Information\ Hardware Resources\ IRQs* folder. Check for devices that are sharing an IRQ with your Matrox frame grabber.
- Under Windows XP, click on the **Start** button, open the **Control Panel**, select **Administrative Tools**, and open **Computer Management**. From the **Computer Management** explorer window, select **System Tools**, followed by **Device Manager**. From the **View** menu, select the **Resources by type**, and expand the **Interrupt request (IRQ)** folder. Check for devices that are sharing an IRQ with your Matrox frame grabber.

## Contacting Matrox

---

Before contacting your local Matrox representative, Matrox Sales Office, or the Matrox Imaging Customer Support Group, you will need the following information:

- A description of what happened.
- Computer (motherboard) make and model number, environment, and peripherals (especially boards sharing the computer with your Matrox Meteor-II).
- Your board's serial number (printed on the bar code label), and revision number.

Use the *Product Assistance Request Form* at the back of this manual to record the necessary information.



# **Appendix B: Technical information**

This appendix contains information that might be useful when installing your Matrox Meteor-II /Standard board.

## Technical information

---

This appendix contains information that might be useful when installing your Matrox Meteor-II /Standard board.

### General information

- Operating system: See your software manual for supported versions of Microsoft Windows.
- System requirements: A computer with a PCI bus and an Intel Pentium processor (or equivalent) or better.

Some older systems use a core logic chipset (interfaces PCI with Host memory) that has limited throughput capabilities. Matrox Meteor-II /Standard might not be able to attain full functionality on such systems. We recommend systems with newer PCI chipsets, such as the Intel 440BX, 810, 815E, 820, 840, 845PE, 850, 860, E7500, or E7505. If you need more specific information regarding potential problems, refer to the *Troubleshooting* appendix.

- Technical features:
  - For PCI and PC/104-*Plus* form factors, twelve software selectable channels, which support up to twelve inputs in either monochrome RS-170/CCIR or composite NTSC/PAL formats, or up to six Y/C video inputs in NTSC/PAL formats.
  - For the CompactPCI form factor, seven software selectable channels, which support switching between up to seven inputs in either monochrome RS-170/CCIR or composite NTSC/PAL formats, or up to three Y/C video inputs NTSC/PAL formats.
  - Support for an external trigger input, which can operate in next valid frame/field mode.
  - Programmable or automatic gain control.
  - 4 Mbytes of video transfer memory.
  - Strap-selectable 5 or 12 V DC output (PCI form factor only).

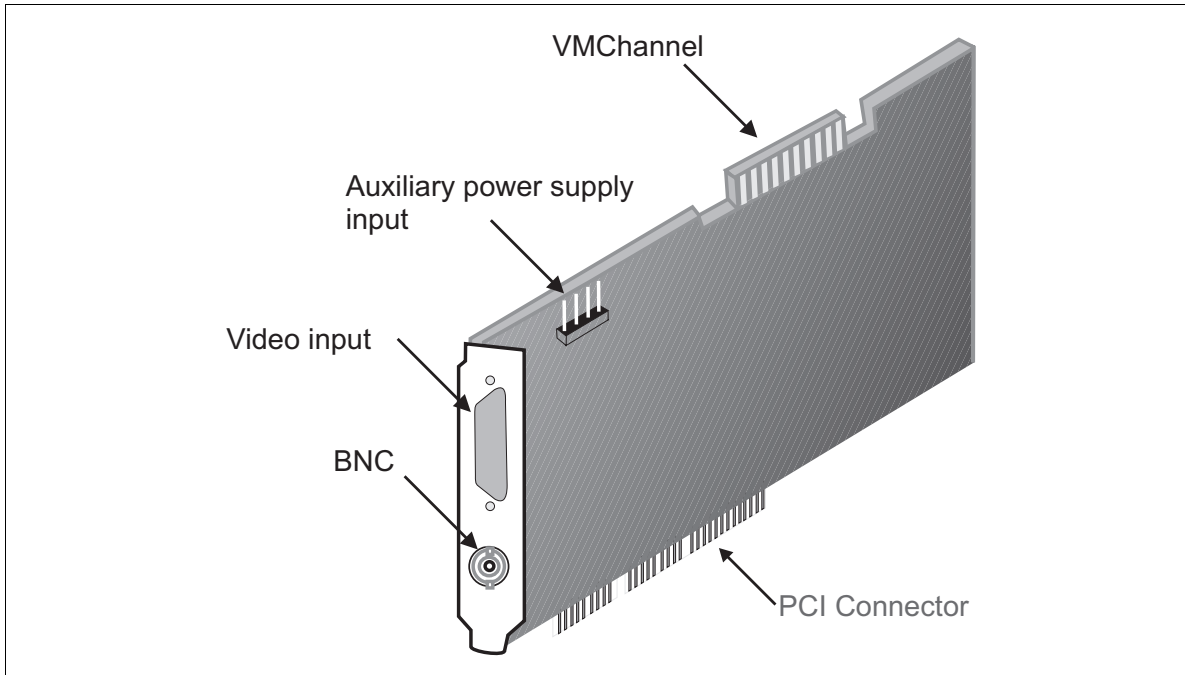
- RS-232 port (UART).
- 32-bit non bus-controller VMChannel interface.

## Board input and output connectors

---

### PCI form factor

Matrox Meteor-II /Standard PCI form factor has five connectors: a VMChannel, an auxiliary power supply input, a video input, a BNC connector, and a PCI connector.

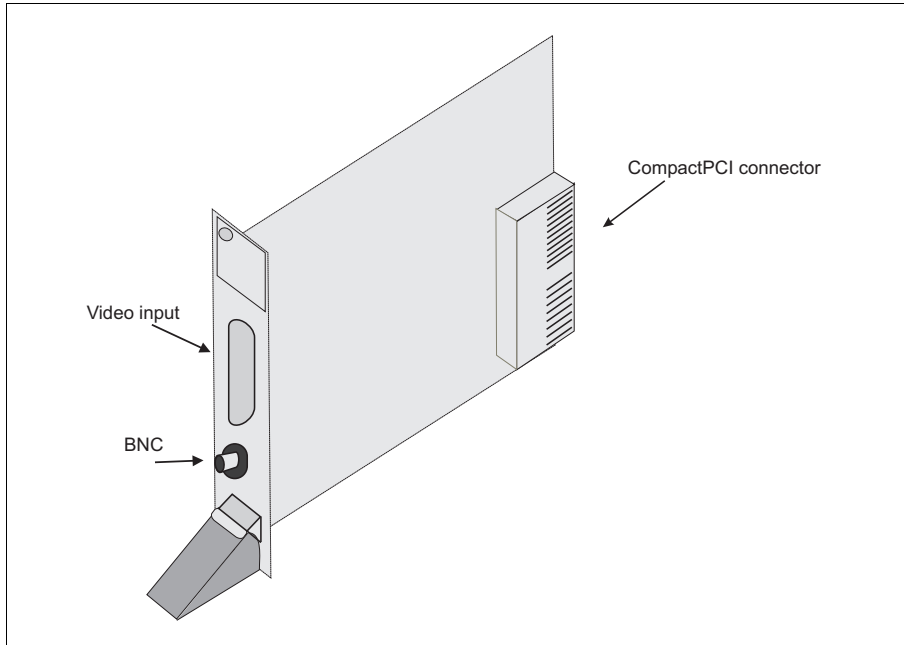




**48 Appendix B: Technical information**

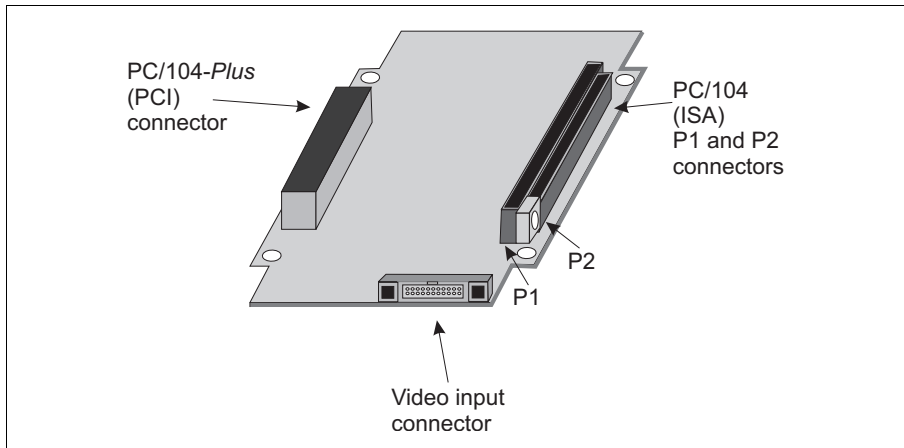
**CompactPCI form factor**

Matrox Meteor-II /Standard CompactPCI form factor has three interface connectors: a video input, a BNC, and a CompactPCI connector.

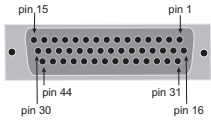


**PC/104-Plus form factor**

Matrox Meteor-II for the PC/104-Plus form factor (stand alone version) has four interface connectors: a video input, a PC/104-Plus (PCI), and two PC/104 (ISA) connectors.



Note that the video input connector for the PC/104-Plus form factor built for Matrox 4Sight-II is right-angled, unlike the one for the stand-alone version, discussed here. See *Note about Matrox Meteor-II /Standard for PC/104-Plus* in Chapter 2 for more details.



### Video input connector on Matrox Meteor-II /Standard for PCI and CompactPCI

The video input connector on the PCI and CompactPCI form factors is a high density DB-44 female connector. Its pinout is shown below. Note the Form Factor column specifies the board which supports that particular pinout.

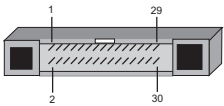
Pin	Signal	I/O	Description	Form Factor
1	DC_OUT	0	+12 V/ +5 V Power Supply	PCI
2	VID_IN12	I	Analog Video Input #12 or C6	PCI
3-5	GND	-	Ground	PCI, CompactPCI
6	CTS	I	Clear To Send (RS-232)	PCI, CompactPCI
8	USER(2)_OUT	0	Auxiliary User Output #2	PCI, CompactPCI
9	USER(2)_IN	I	Auxiliary User Input #2	PCI, CompactPCI
11	VID_IN5	I	Analog Video Input #5 or C4	PCI, CompactPCI
13	VID_IN3	I	Analog Video Input #3 or Y2	PCI, CompactPCI
14	GND	-	Ground	PCI, CompactPCI
15	VID_IN1	I	Analog Video Input #1 or Y1	PCI, CompactPCI
16	DC_OUT	0	+12 V/ +5 V Power Supply	PCI
17-18	GND	-	Ground	PCI, CompactPCI
19	VID_IN10	I	Analog Video Input #10 or C5	PCI
20	VID_IN9	I	Analog Video Input #9 or Y5	PCI
21	RTS	0	Request To Send (RS-232)	PCI, CompactPCI
22	RX	I	Receive (RS-232)	PCI, CompactPCI
23	VID_IN8	I	Analog Video Input #8 or Y4	PCI
24	USER(1)_OUT	0	Auxiliary User Output #1	PCI, CompactPCI
25-31	GND	-	Ground	PCI, CompactPCI
33	VID_IN11	I	Analog Video Input #11 or Y6	PCI
34	OPTOTRIG-	I	Opto-Isolated trigger negative input	PCI, CompactPCI
35	OPTOTRIG+	I	Opto-Isolated trigger positive input	PCI, CompactPCI
36	TX	0	Transmit (RS-232)	PCI, CompactPCI
39	USER(1)_IN	I	Auxiliary User Input #1	PCI, CompactPCI

Pin	Signal	I/O	Description	Form Factor
40	VID_IN7	I	Analog Video Input #7 or C3	PCI, CompactPCI
41	VID_IN6	I	Analog Video Input #6 or Y3	PCI, CompactPCI
42	GND	-	Ground	PCI, CompactPCI
43	VID_IN4	I	Analog Video Input #4 or C2	PCI, CompactPCI
44	VID_IN2	I	Analog Video Input #2 or C1	PCI, CompactPCI
7, 10, 12, 32, 37, 38	Not used			PCI, CompactPCI

Use Matrox cable DBHD44-TO-13BNC to interface with this connector. The cable has thirteen BNC connectors, and a high-density 44-pin D-Subminiature male connector. This cable allows you to attach up to twelve analog video sources, and a trigger input.

An open-ended version of this cable, the DH44-TO-13BNC/O, is also available that can be used to access signals in addition to those described above. For customers planning to build their own cable, parts can be purchased from:

Manufacturer:	NorComp Interconnect Devices
Connector & shell:	HDT44P



### Video input connector on Matrox Meteor-II /Standard for PC/104-Plus

The video input connector on the Meteor-II /Standard for PC/104-Plus is located on the top side of the board. Its pinout is as follows:

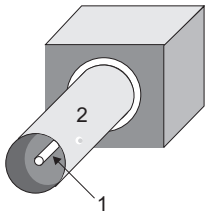
Pin	Signal	I/O	Description
2	VID_IN1	I	Analog Video Input #1 or Y1
4	VID_IN2	I	Analog Video Input #2 or C1
6	VID_IN3	I	Analog Video Input #3 or Y2
8	VID_IN4	I	Analog Video Input #4 or C2
10	VID_IN5	I	Analog Video Input#5 or C4
12	VID_IN6	I	Analog Video Input #6 or Y3
14	VID_IN7	I	Analog Video Input #7 or C3
15	USER(2)_IN	I	Auxiliary User Input #2
16	USER(1)_IN	I	Auxiliary User Input #1
17	USER(2)_OUT	O	Auxiliary User Output #2
18	USER(1)_OUT	O	Auxiliary User Output #1

Pin	Signal	I/O	Description
20	VID_IN8	I	Analog Video Input #8 or Y4
22	VID_IN9	I	Analog Video Input #9 or Y5
23	OPTOTRIG-	I	Opto-Isolated trigger negative input
24	OPTOTRIG+	I	Opto-Isolated trigger positive input
26	VID_IN10	I	Analog Video Input #10 or C5
28	VID_IN11	I	Analog Video Input #11 or Y6
30	VID_IN12	I	Analog Video Input #12 or C6
1, 3, 5, 7, 9, 11, 13, 19, 21, 25, 27, 29	GND		Ground

The mating connector included with the board is a 30-pin male, 0.050 pitch right angle connector. For customers planning to build their own cable, parts can be purchased from:

Manufacturer:	Fujitsu
Connector:	FCN-217J030-G/0

This connector interfaces with a ribbon cable, 0.025 inch pitch (0.635 mm), AWG #30 (solid wire).



### **BNC connector**

The BNC connector provides a single composite input to the Matrox Meteor-II /Standard board. Its pin assignments are as follows:

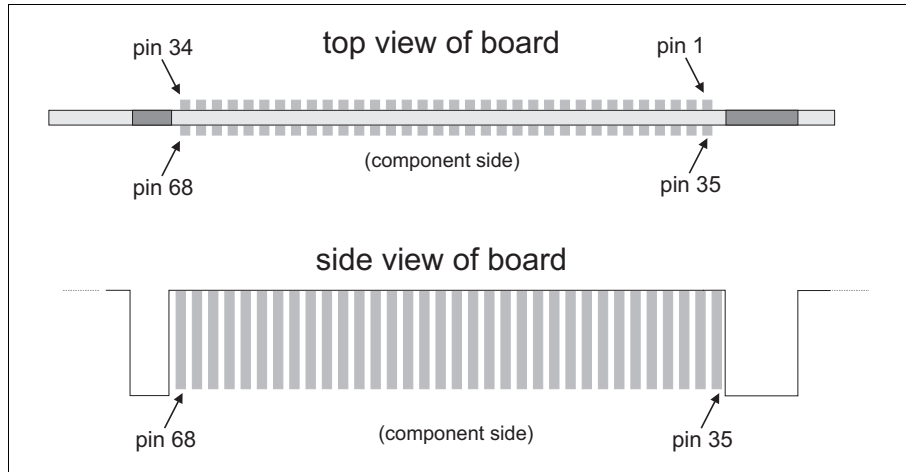
- 1: composite 1 or VID\_IN1.
- 2 (SHELL): ground.

You can use a standard video cable (available from your local electronic store) to interface with this connector.

### **VMChannel interface connector**

The VMChannel interface allows Matrox Meteor-II /Standard to share data with any Matrox imaging board that has a VMChannel interface capable of performing the bus controller function. A VMChannel backplane (available with the GEN-BUS/... interconnect kits) must be inserted across the VMChannel interfaces of the boards.

Note the VMChannel is not supported on the CompactPCI and PC/104-Plus form factors.

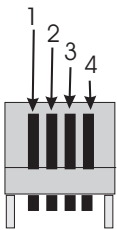


The following table provides the pinout of the VMChannel interface:

Pin	Signal	Pin	Signal
1	SAN	35	N/C*
2	N/C*	36	DGND
3	BSN[0]	37	BSN[1]
4	DGND	38	SNRDYN
5	CONTROL	39	DGND
6	N/C	40	DGND
7	CLK	41	DGND
8	VMSENSE	42	DGND
9	MASK0	43	MASK1
10	DGND	44	DATA[0]
11	DATA[1]	45	DGND
12	DATA[2]	46	DATA[3]
13	DGND	47	DATA[4]
14	DATA[5]	48	DGND
15	DATA[6]	49	DATA[7]
16	DGND	50	DATA[8]
17	DATA[9]	51	DGND

Pin	Signal	Pin	Signal
18	DATA[10]	52	DATA[11]
19	DGND	53	DATA[12]
20	DATA[13]	54	DGND
21	DATA[14]	55	DATA[15]
22	DGND	56	DATA[16]
23	DATA[17]	57	DGND
24	DATA[18]	58	DATA[19]
25	DGND	59	DATA[20]
26	DATA[21]	60	DGND
27	DATA[22]	61	DATA[23]
28	DGND	62	DATA[24]
29	DATA[25]	63	DGND
30	DATA[26]	64	DATA[27]
31	DGND	65	DATA[28]
32	DATA[29]	66	DGND
33	DATA[30]	67	DATA[31]
34	DGND	68	SBN

\* N/C = Not connected. This means that the pin is defined as part of the VMChannel interface standard but it is not used on the Matrox Meteor-II /Standard board.



### Auxiliary power supply input

The auxiliary power supply input connector is a standard 4-pin male connector that routes power from the computer to a camera (via the DB-44). Use the 4-pin power cable provided with your board to connect to the power supply of your computer. The operating current is 1.5 A with an auto-resettable fuse. Note that this input is not available on the CompactPCI and PC/104-Plus form factors.

The pinout of the auxiliary power supply input connector is as follows:

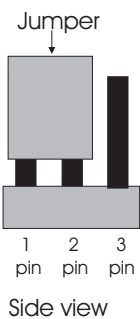
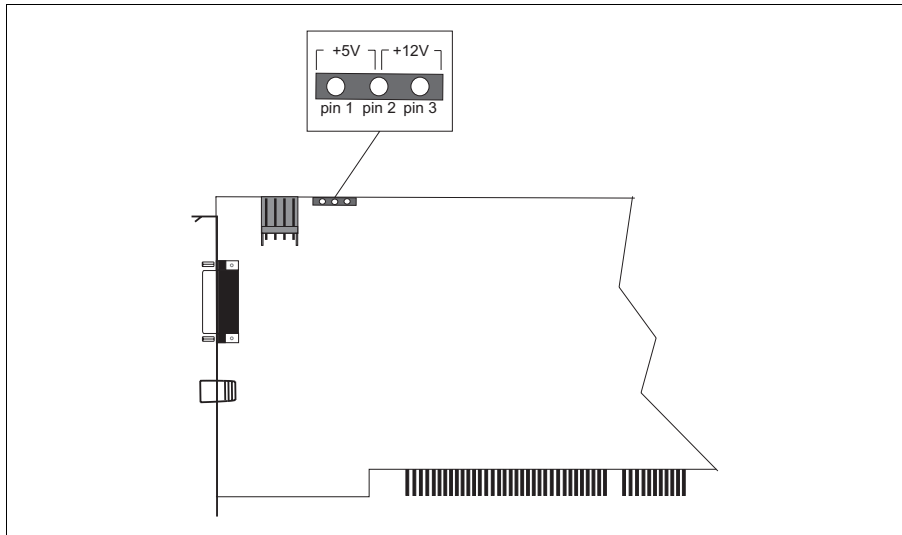
Pin	Description
1	+5 V
2	Ground
3	Ground
4	+12 V

For customers planning to build their own cable, parts can be purchased from:

Manufacturer:	VEN
Connector:	2490-04PRT

**Auxiliary power supply selection**

The following diagram shows the location of the auxiliary power supply selection and their corresponding pin numbers:



As shown in the table below, place the jumper across pins 1 and 2 for a +5 V supply output and across pins 2 and 3 for a +12 V supply output.

Pin	Description
1-2	+5 V (default)
2-3	+12 V

By default, auxiliary power supply is strapped for +5 V (pins 1-2).

# Specifications

---

## Electrical

Form Factor	Operating Voltage and maximum current					Power Consumption <sup>1</sup>
	5 V $\pm$ 5%	-5 V $\pm$ 5%	3.3 V $\pm$ 5%	12 V $\pm$ 10%	-12 V $\pm$ 10%	
PCI and CompactPC	1.25 A	n/a	n/a	250 mA	50 mA	9.85 W
PC/104-Plus	100 mA	25 mA	1.1 A	150 mA	n/a	6.06 W

<sup>1</sup> This number represents the total power consumption of the Matrox Meteor-II board only. It does not include the power consumption of a camera which draws current through the auxiliary power supply input.

- Video input signals:
  - Termination: 75  $\Omega$
- User input signals:
  - No termination.
  - Input current:
    - Min: -20 mA.
    - Max: 20 mA.
  - Input voltage:
    - Min of low: -0.5 V.
    - Max of low: 1.5 V.
    - Min of high: 3.5 V.
    - Max of high: 5.5 V.



- User output signals:
  - No termination.
  - Output current:
    - Min: -25 mA.
    - Max: +25 mA.
- Trigger input signal (opto-isolated):
  - Termination: 511 ohms series.
  - Input current:
    - Min of low: 0  $\mu$ A.
    - Max of low: 250  $\mu$ A.
    - Min of high: 5 mA<sup>1</sup>.
    - Max of high: 15 mA<sup>2</sup>.
  - Input voltage:
    - Min of low: 0 V.
    - Max of low: 0.8 V.
    - Min of high: 2 V.
    - Max of high: 5 V.

---

1. A Min of 6.3 mA recommended.  
2. A Max of 10 mA recommended.

**Environmental**

- Min./max. ambient operating temperature: 0°C - 55° C.
- Min./max. storage temperature: -40° C - 75° C.
- Max. altitude for operation: 3000 meters.
- Max. altitude for transport: 12000 meters.
- Operating humidity: 20 - 80% relative humidity (non-condensing).



# **Appendix C: Listing of Matrox Meteor-II /Standard Boards**

This appendix lists specific versions and revisions of the Matrox Meteor-II /Standard board.

## Revisions of Matrox Meteor-II /Standard

---

Board	Version	Description
Matrox Meteor-II /Standard for PCI	750-00 rev. A	Original version.
	750-01 rev. A	No functional change.
	750-02 rev. A	Added expansion connectors, moved up from 4 to 7 inputs.
	750-02 rev. B	No functional change.
	750-0201 rev. A	Support for KS0127 rev. B video decoder, and moved up from 7 to 12 inputs.  Note that MJPEG module support has been removed for some boards with this revision number. This is due to the discontinuation of this module.
Matrox Meteor-II /Standard for CompactPCI	807-00 rev. A	Original version.
	807-00 rev. B	No functional changes.
	807-0001 rev. A	Support for KS0127 rev. B video decoder.  Note that MJPEG module support has been removed for some boards with this revision number. This is due to the discontinuation of this module.
Matrox Meteor-II /Standard for PC/104-Plus	885-00 rev. A	Original version.
	885-00 rev. B	No functional change.
	885-00 rev. C	No functional change.
	885-0001 rev. A	Support for KS0127 rev. B video decoder.
	885-01 rev. A	Replaced expansion connectors (for 896-01).  Note that MJPEG module support has been removed for some boards with this revision number. This is due to the discontinuation of this module.

# **Appendix D:**

## **Glossary**

This appendix defines some of the specialized terms used in this Matrox Meteor-II document.

- **ASIC**

*Application-specific integrated circuit.* An integrated circuit custom-made to meet the requirements of a specific application. It integrates several digital and/or analog functions into a single die. This results in a reduction in cost, board area, and power consumption, while improving performance when compared to an equivalent implementation using off-the-shelf components.

- **Backplane**

A circuit board that acts as a pathway between multiple boards. For example, if a backplane is inserted between the VMChannels of two Matrox Meteor-II boards, the boards can share data through their VMChannel.

- **Band**

One of the surfaces of a buffer. A grayscale image requires just one band. A color image requires three bands, one for each color component.

- **Bandwidth**

A term describing the capacity to transfer data. Greater bandwidth is needed to sustain a higher transfer rate. Greater bandwidth can be achieved, for example, by using a wider bus.

- **Bit**

A digit of a binary number. Images are described as 1-bit, 8-bit, 16-bit, etc. The numbers indicate the bits available to store the value of each pixel in the image.

- **Bus**

A pathway along which signals are sent, generally in two directions, for communication of data.

- **Color component**

One of the components that make up a color space. Typically, each component of a color image is stored in a separate band of a multi-band buffer.

- **Color space**

A color space is a way of representing and describing the complete range of perceived colors. A number of color spaces have been developed. Common color spaces are RGB and HSL. Both describe the same range of perceivable colors.

- **Composite sync**

A synchronization signal made up of two components: one horizontal and one vertical.

- **DCF**

*Digitizer Configuration Format.* A DCF defines the input data format and among other things, how to accept or generate video timing signals such as horizontal sync, vertical sync, and pixel clock.

- **Display memory**

See *frame buffer*.

- **Exposure time**

Refers to the period during which the image sensor of a camera is exposed to light. As the length of this period increases, so does the image brightness.

- **Field**

One of the two halves that make up an image. One half consists of the image's odd lines (known as the *odd field*); the other half consists of the image's even lines (known as the *even field*).

- **Frame**

A single image grabbed from a video camera.



- **Frame buffer**

A frame buffer is a dedicated storage area often used for data transfers between devices of differing speeds. For example, since a computer sends out data faster than a screen can display it, the data is temporarily stored in the frame buffer. The buffer is generally thought of as a two-dimensional surface with a certain pixel depth.

- **Grab**

To acquire an image from a camera.

- **Horizontal sync**

The part of a video signal that indicates the end of a line and the start of a new one.

See also *vertical sync*.

- **HSL**

A color space that represents color using components of hue, saturation, and luminance. The hue component describes the actual color of a pixel. The saturation component describes the concentration of that color. The luminance component describes the combined brightness of the primary colors.

- **Host**

In general, Host refers to the principal CPU in one's computer.

- **Interlaced scanning**

Describes a transfer of data in which the odd-numbered lines of the source are written to the destination buffer first and then the even-numbered lines (or vice-versa).

See also *progressive scanning*.

- **Latency**

The time from when an operation is started to when the final result is produced.

- **Live processing**

See *real-time processing*.

- **LUT mapping**

*Look-up table mapping*. A point-to-point operation that uses a table to define a replacement value for each possible pixel value in an image.

- **PCI**

*Peripheral Component Interconnect*. Present day standard expansion bus.

- **PCI Primary/Secondary Bus**

A high-performance bus that provides a processor-independent data path between the CPU and high-speed peripherals.

- **PLC**

*Programmable Logic Controller*. A device used to automate monitoring and control of industrial plants. It can be used as a stand-alone device or in conjunction with data acquisition.

- **Progressive scanning**

Describes a transfer of data in which the lines of the source input device are written sequentially into the destination buffer.

Also known as *non-interlaced*. See also *interlaced scanning*.

- **Real-time processing**

The processing of an image as quickly as the next image is grabbed.

Also known as *live processing*.

- **Reference levels**

The zero and full-scale levels of an analog-to-digital converter. Voltages below a *black reference level* are converted to a zero pixel value; voltages above a *white reference level* are converted to the maximum pixel value. Together with the analog gain factor, the reference levels affect the brightness and contrast of the resulting image.

- **RGB**

A color space that represents color using the primary colors (red, green and blue) as components.

- **Synchronous function**

A function that does not return control to the caller until it has finished executing.

See also *asynchronous function*.

- **Vertical sync**

The part of a video signal that indicates the end of a frame and the start of a new one.

See also *horizontal sync*.

- **VIA**

*Video Interface ASIC*. A custom ASIC that connects all the data buses on the board (the grab, VMChannel, and PCI bus) to one another, and directs and monitors data flow "traffic". It is a video interface that provides various ways of inputting and outputting data.

- **VMChannel**

*Vesa Media Channel*. An industry standard 32-bit bus designed for carrying video data. On Matrox Meteor-II boards, it is used primarily to share data with other Matrox imaging boards.

# Index

## A

- acquisition features 34
- ActiveMIL 10
- automatic gain control 36
- auxiliary power supply 37, 53–54

## C

- cameras
  - genlocked 31
  - grabbing images 31
  - number of cameras per board 31
- connectors
  - BNC 51
  - camera power supply 26, 53
  - CompactPCI form factor 24
  - PC/104-Plus form factor 26
  - PCI form factor 23
  - video input 24
    - PC/104-Plus 50
  - VMChannel 38, 51
- conventions 13

## D

- data interfaces
  - PCI interface 38
  - VIA 37
  - VMChannel 38
- data transfer 9
- DMA memory 41

## E

- electrical specifications 55
- environmental specifications 57

## G

- grab section
  - gain control 36
  - low-pass filter 35
  - performance 35
  - trigger 36
  - UART (RS-232 serial port) 36
  - video decoder 35
- grabbing from multiple boards 31

## H

- hardware
  - connecting external devices 23
  - PCI slot 11, 41
  - reference 34
- heat sink 17, 30

## I

- installation
  - CompactPCI form factor 18
  - multiple boards
    - PC/104-Plus 30
    - PCI and Compact PCI 30
  - overview 12
  - PC/104-Plus form factor 19
  - PCI form factor 16
- IRQ conflicts 42

## L

- low-pass filter 35

## M

- Matrox Inspector 10
- Matrox Intellicam 10
- Matrox Meteor-II package
  - optional items 11
  - standard package 11
- MIL 9, 11
- MIL-Lite 10–11
- multiple boards 30
  - grabbing 31
  - PCI bandwidth 32

## O

- optional items
  - DBHD44-TO-13BNC 12
  - MIL 11
  - MIL-Lite 11

## P

- PCI
  - bandwidth 30
  - slot 11, 41
- pinouts
  - camera power supply connector 53, 55
  - video input connector
    - PC/104-Plus 50
    - PCI/Compact PCI 49
  - VMChannel 52

## R

- RS-232 serial port 36

## S

- SGRAM 37
- software
  - supported 9
- specifications
  - electrical 55
  - environmental 57
  - technical 46
- system requirements 10

## T

- technical information 46
- timing 35
- trigger 36
- troubleshooting 40

## U

- UART 36

## V

- VIA 9, 37
- VIA's PCI port 38
- video decoder 34–35
- video formats supported
  - monochrome 8, 35
  - NTSC 8, 34
  - PAL 8, 34
  - Y/C 8, 34
- video transfer memory 9, 37, 46
- VMChannel 9, 37–38, 47
- voltage and current specifications 55

# Regulatory Compliance

## FCC Compliance Statement

### Warning

Changes or modifications to this unit not expressly approved by the party responsible for the compliance could void the user's authority to operate this equipment.

### Note

This device complies with Part 15 of FCC Rules. Operation is subject to the following two conditions:

1. this device may not cause harmful interference, and
2. this device must accept any interference received, including interference that may cause undesired operation.

This equipment has been tested and found to comply with the limits for a Class A digital device, pursuant to Part 15 of the FCC Rules. These limits are designed to provide reasonable protection against harmful interference when the equipment is operated in a commercial environment. This equipment generates, uses, and can radiate radio frequency energy and, if not installed and used in accordance with the instruction manual, may cause harmful interference to radio communications. Operation of this device in a residential area is likely to cause harmful interference in which case the user will be required to correct the interference at his/her own expense. The user is advised that any equipment changes or modifications not expressly approved by the party responsible for compliance would void the compliance to FCC regulations and therefore, the user's authority to operate the equipment.

## Industry Canada Compliance Statement

This digital apparatus does not exceed the Class A limits for radio noise emission from digital apparatus set out in the Radio Interference Regulations of Industry Canada.

Le présent appareil numérique n'émet pas de bruits radioélectriques dépassant les limites applicables aux appareils numériques de Classe A prescrites dans le Règlement sur le brouillage radioélectrique édicté par Industrie Canada.

## EU Notice (European Union)

**WARNING:** This is a class A product. In a domestic environment this product may cause radio interference in which case the user may be required to take adequate measures

**AVERTISSEMENT:** Cet appareil est de la classe A. Lorsque cet appareil est utilisé dans un environnement résidentiel, il peut entraîner des interférences radioélectriques. Dans ce cas, l'utilisateur peut être prié de prendre des mesures correctives appropriées.

This device complies with EC Directive 89/336/EEC for a Class A digital device. It has been tested and found to comply with EN55022/CISPR22 and EN55024/CISPR24 when installed in a typical class A compliant host system. It is assumed that this device will also achieve compliance in any Class A compliant system.

Le présent appareil numérique répond aux exigences stipulées dans la directive européenne 89/336/EEC prescrite pour les appareils numériques de classe A. Ce produit a été testé conformément aux procédures EN55022/CISPR22 et EN55024/CISPR24 dans un système hôte typique et conforme à la classe A. On peut présumer que cet appareil sera aussi conforme s'il est utilisé dans n'importe quel système de classe A.

# Product support

## Limited Warranty

*Matrox warrants this product against defects in materials and workmanship for a period of **one year** from the date of delivery. Matrox and its suppliers expressly disclaim any and all other warranties, express or implied.*

*Your sole remedy shall be, repair or replacement of the product provided that the defective product be returned to the authorized dealer within a year from the date of delivery.*

*If you wish to return your board, contact the Matrox authorized dealer where you purchased the board for service. **Do not return a product to Matrox without authorization.***

*In the event you must return the board directly to Matrox, follow these steps:*

1. Contact Customer Support (The *Customer support contacts* information sheet included in your package has the phone numbers for Matrox's offices).

Customer Support will ask you to describe the problem and will issue a Return Merchandise Authorization (RMA).

2. Leave the configuration as it was when you were using the board.
3. Pack the board in its original box and return it with a completed "Product Assistance Request" form (provided in the following page).

## Return address

*U.S. customers must return their products to our U.S. address:*

- Matrox International Corp.  
625 Route 3 Unit B  
Plattsburgh, N.Y.  
12901-6530

*Canadian and other international customers can return their products directly to our Canadian facility:*

- Matrox Electronic Systems Ltd.  
1055 St. Regis Blvd.  
Dorval, Quebec  
H9P 2T4





## Product Assistance Request Form

Name:	
Company:	
Address:	
Phone:	Fax:
E-mail:	
<b>Hardware Specific Information</b>	
Computer:	CPU:
System memory:	PCI Chipset:
System BIOS rev:	
Video card used:	Resolution:
Network Card:	Network Software:
Other cards in system:	
<b>Software Specific Information</b>	
Operating system:	Rev:
Matrox SW used:	Rev:
Compiler:	Rev:
<b>Fill out only if you are returning a board</b>	
RMA #:	
Who were you talking to in customer support?	
Date board was received:	Date of failure:
MOD #:	
SER #:	
REV #:	
PMB #:	
PNS #:	
These numbers are on the label at the back of the board.	
Can you reproduce the problem? Yes <input type="checkbox"/> No <input type="checkbox"/>	
Is an error code displayed? Yes <input type="checkbox"/> No <input type="checkbox"/>	If so, what code?
... Continued on reverse	

<b>Describe the problem:</b>



## Artisan Technology Group is your source for quality new and certified-used/pre-owned equipment

- FAST SHIPPING AND DELIVERY
- TENS OF THOUSANDS OF IN-STOCK ITEMS
- EQUIPMENT DEMOS
- HUNDREDS OF MANUFACTURERS SUPPORTED
- LEASING/MONTHLY RENTALS
- ITAR CERTIFIED SECURE ASSET SOLUTIONS

### SERVICE CENTER REPAIRS

Experienced engineers and technicians on staff at our full-service, in-house repair center

### *InstraView*<sup>SM</sup> REMOTE INSPECTION

Remotely inspect equipment before purchasing with our interactive website at [www.instraview.com](http://www.instraview.com) ↗

### WE BUY USED EQUIPMENT

Sell your excess, underutilized, and idle used equipment. We also offer credit for buy-backs and trade-ins. [www.artisanng.com/WeBuyEquipment](http://www.artisanng.com/WeBuyEquipment) ↗

### LOOKING FOR MORE INFORMATION?

Visit us on the web at [www.artisanng.com](http://www.artisanng.com) ↗ for more information on price quotations, drivers, technical specifications, manuals, and documentation

**Contact us:** (888) 88-SOURCE | [sales@artisanng.com](mailto:sales@artisanng.com) | [www.artisanng.com](http://www.artisanng.com)