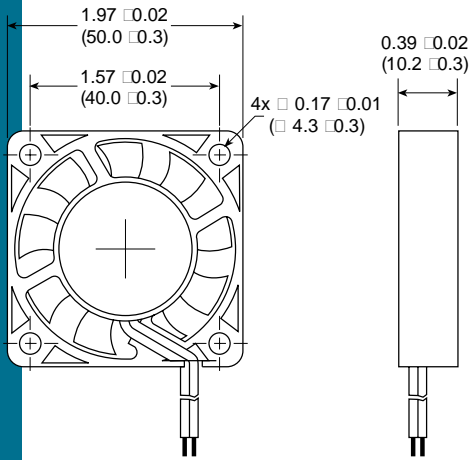
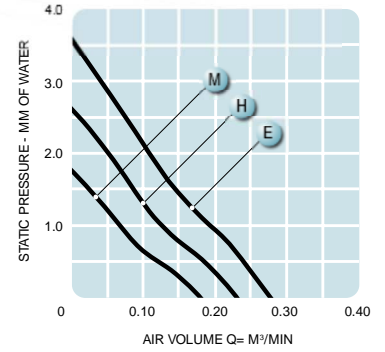


THIN PROFILE M5010 series



Size: (50 x 50 x 10 mm)
1.97 x 1.97 x 0.39 inches

- Construction: UL94V-0 PBT impeller & frame
- Bearing option: ball bearing or sleeve
- Connection: AWG26, UL1007 lead wires
- Frame: ribbed
- Protection: impedance
- Options: tachometer output signal



Model No.	Rated Voltage V	Operating Voltage V	Current mA	Revolution RPM	Air Volume		Max. Static Pressure (H ₂ O)		Sound Noise dbA	Weight g
					M ³ /Min.	CFM	MM	INCH		
M5010M	5	3-6.0	60	4,000	0.18	6.36	1.77	0.07	24	20
M5010H	5	3-6.0	80	5,000	0.23	8.12	2.63	0.11	26	20
M5010E	5	3-6.0	150	6,000	0.28	9.89	3.60	0.14	28	20
M5010M	12	7-13.8	60	4,000	0.18	6.36	1.77	0.07	24	20
M5010H	12	7-13.8	70	5,000	0.23	8.12	2.63	0.11	26	20
M5010E	12	7-13.8	120	6,000	0.28	9.89	3.60	0.14	28	20