



Artisan Technology Group is your source for quality new and certified-used/pre-owned equipment

- FAST SHIPPING AND DELIVERY
- TENS OF THOUSANDS OF IN-STOCK ITEMS
- EQUIPMENT DEMOS
- HUNDREDS OF MANUFACTURERS SUPPORTED
- LEASING/MONTHLY RENTALS
- ITAR CERTIFIED SECURE ASSET SOLUTIONS

SERVICE CENTER REPAIRS

Experienced engineers and technicians on staff at our full-service, in-house repair center

*InstraView*SM REMOTE INSPECTION

Remotely inspect equipment before purchasing with our interactive website at www.instraview.com ↗

WE BUY USED EQUIPMENT

Sell your excess, underutilized, and idle used equipment. We also offer credit for buy-backs and trade-ins. www.artisanng.com/WeBuyEquipment ↗

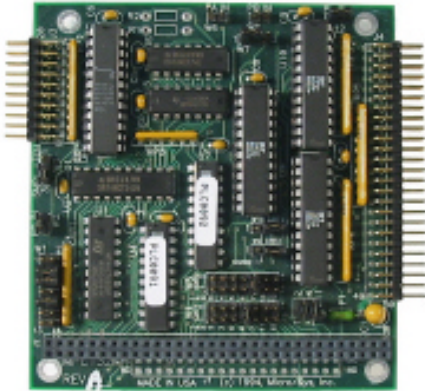
LOOKING FOR MORE INFORMATION?

Visit us on the web at www.artisanng.com ↗ for more information on price quotations, drivers, technical specifications, manuals, and documentation

Contact us: (888) 88-SOURCE | sales@artisanng.com | www.artisanng.com



32-Line Digital I/O for PC/104 MPC132



Features

- ✓ 32 TTL-level I/O lines
- ✓ High current: 64mA sink, 15mA source per line
- ✓ 24 lines 50-pin with OPTO 22 pinout
- ✓ 8 lines on 20-pin connector
- ✓ Inverting and non-inverting versions
- ✓ Input/output selectable in four 8-bit groups
- ✓ Two external interrupt inputs
- ✓ PC/104 format

The MPC132 TTL I/O Adapter adds 32 TTL I/O lines to any computer that supports PC/104 I/O modules. The card is organized as four groups of 8 bits each. Each group can be user-configured as an 8-bit input port or an 8-bit output port. In addition, each port can be configured as inverting or non-inverting. Output ports include "readback" capability for simplified bit-oriented control software.

The high current drive of the MPC132 is a major advantage over "unbuffered 8255-type" cards.

The MPC132 can directly drive OPTO 22 solid state relay racks, or other high current requirement loads. Standard connectors and pinouts simplify system wiring. Direct cabling to OPTO 22 racks with up to 24 modules (PB24) is provided by the MPC132's 50-pin connector. The remaining 8 TTL lines are available on a separate 20-pin connector.

The MPC132 supports interrupt generation from two external sources. Resistive pull-ups are included on all lines.

Software Support

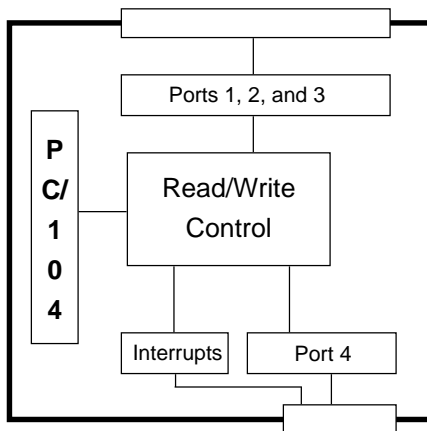
Sample Drivers Included

Compatible Hardware

*Any Micro/sys CPU with
PC/104 expansion connector
[See Section 1]
Digital racks, PB8H, PB16H,
PB24
Terminal Boards, TB5001,
TB5002
[Items above in section 4]
Custom interfacing*

Mounting/Packaging

PC/104 standard



Specifications:

Mechanical:

- PC/104 standard
- 3.55" (plus I/O region) x 3.775" x .6"

Power Requirements:

- +5V ± 5% at 90mA max

Environmental:

- 0° - +70°C operating
- 25° - +85°C storage
- 5%-95% relative humidity, non-condensing

PC/104 Interface:

- 8-bit PC/104 module
- 6 sequential I/O ports, jumper settable
- IRQ jumpers

Digital I/O Lines:

- 32 total in four 8-bit groups
- Outputs sink 64mA and source 15mA
- Default: non-inverting
Optional: inverting
- 22K pull-ups on all lines
- Port D supports strobed inputs

Interrupts:

- Two external interrupts latched on-board
- Jumpers to IRQ2 - IRQ7, (IRQ10 - IRQ15 if PC/104 J2 is installed)
- Support for PC/104 shared interrupts

External Connections:

- 50-pin header with 24 I/O lines
- 20-pin header with 8 I/O lines, 2 IRQ inputs, and input strobe

Ordering Information:

MPC132	32-line TTL I/O card, non-inverting (OPTO 22 rack compatible)
MPC132-INV	32-line TTL I/O card, inverting (OPTO 22 rack compatible)
MPC132-KIT	Set of 4 inverting ICs. Use to modify standard MPC132 to create custom mix of inverting and non-inverting ports.

Related Products:

CA5049	Cable to PB8H, PB16H
PB8H	8-position OPTO rack
PB16H	16-position OPTO rack
PB24	24-position OPTO rack
TB5001	50-terminal breakout board
CA5044	Cable to PB24



Artisan Technology Group is your source for quality new and certified-used/pre-owned equipment

- FAST SHIPPING AND DELIVERY
- TENS OF THOUSANDS OF IN-STOCK ITEMS
- EQUIPMENT DEMOS
- HUNDREDS OF MANUFACTURERS SUPPORTED
- LEASING/MONTHLY RENTALS
- ITAR CERTIFIED SECURE ASSET SOLUTIONS

SERVICE CENTER REPAIRS

Experienced engineers and technicians on staff at our full-service, in-house repair center

*InstraView*SM REMOTE INSPECTION

Remotely inspect equipment before purchasing with our interactive website at www.instraview.com ↗

WE BUY USED EQUIPMENT

Sell your excess, underutilized, and idle used equipment. We also offer credit for buy-backs and trade-ins. www.artisanng.com/WeBuyEquipment ↗

LOOKING FOR MORE INFORMATION?

Visit us on the web at www.artisanng.com ↗ for more information on price quotations, drivers, technical specifications, manuals, and documentation

Contact us: (888) 88-SOURCE | sales@artisanng.com | www.artisanng.com