



## Artisan Technology Group is your source for quality new and certified-used/pre-owned equipment

- FAST SHIPPING AND DELIVERY
- TENS OF THOUSANDS OF IN-STOCK ITEMS
- EQUIPMENT DEMOS
- HUNDREDS OF MANUFACTURERS SUPPORTED
- LEASING/MONTHLY RENTALS
- ITAR CERTIFIED SECURE ASSET SOLUTIONS

### SERVICE CENTER REPAIRS

Experienced engineers and technicians on staff at our full-service, in-house repair center

### *InstraView*<sup>SM</sup> REMOTE INSPECTION

Remotely inspect equipment before purchasing with our interactive website at [www.instraview.com](http://www.instraview.com) ↗

### WE BUY USED EQUIPMENT

Sell your excess, underutilized, and idle used equipment. We also offer credit for buy-backs and trade-ins. [www.artisanng.com/WeBuyEquipment](http://www.artisanng.com/WeBuyEquipment) ↗

### LOOKING FOR MORE INFORMATION?

Visit us on the web at [www.artisanng.com](http://www.artisanng.com) ↗ for more information on price quotations, drivers, technical specifications, manuals, and documentation

**Contact us:** (888) 88-SOURCE | [sales@artisanng.com](mailto:sales@artisanng.com) | [www.artisanng.com](http://www.artisanng.com)

# F205 - 3U CompactPCI®/PXI™ M-Modules™ Carrier Board



- 1 CompactPCI® bus slot
- 2 M-Module™ slots
- Flexible PXI™ trigger routing
- -40 to +85°C versions with qualified components

The F205 is a 3U M-Module™ carrier board for universal I/O on the CompactPCI® bus as well as on PXI™ for automated testing requirements. It allows high flexibility in applications such as data acquisition or process control. The F205 supports all eight PXI™ trigger lines as defined in the PXI™ specification. The F205 is slightly higher than standard 3U format, providing enough space for two M-Modules™ while staying compatible with CompactPCI® or PXI™ housings through special guide rails already included in the

delivery. M-Modules™ are screwed tightly on the board and require no separately mounted transition panel. The F205 offers developers instant access to more than 70 different M-Modules™ for I/O in fields such as process I/O, measurement, instrumentation, motion control, communication, and development.

## Technical Data

### M-Module™ Slots

- Two M-Module™ slots
- Compliant with M-Module™ standard
- Characteristics: A08, A24, D08, D16, D32, INTA, TRIGI, TRIGO

### Peripheral Connections

- Via front panel

### CompactPCI® Bus

- Compliance with CompactPCI® Specification 2.0 R2.1
- Only one slot required on the 3U CompactPCI® bus
- 32-bit/33-MHz PCI-to-M-Module™ bridge
  - FPGA-based
  - Compliant with PCI Specification 2.2
  - Target on PCI bus
- V(I/O): +5V (+3.3V on request)

### PXI™

- Eight trigger lines compliant with PXI™ Specification R1.0
- Routing of PXI™ trigger lines to M-Module™ interface TRIGA, TRIGB

### Electrical Specifications

- Supply voltage/power consumption:
  - +5V (-3%/+5%), 20mA typ.
  - +3.3V (-3%/+5%), 20mA typ.
- MTBF: 1,046,000h @ 50°C (derived from MIL-HDBK-217F)

### Mechanical Specifications

- Dimensions: 111.7mm x 160mm standard
- Front panel: aluminum without handles, cut-outs for front connectors of 2 M-Modules™
- Weight: 125g (without M-Modules™)

### Environmental Specifications

- Temperature range (operation):
  - 0..+60°C or -40..+85°C
  - Airflow: min. 10m³/h
- Temperature range (storage): -40..+85°C
- Relative humidity (operation): max. 95% non-condensing
- Relative humidity (storage): max. 95% non-condensing
- Altitude: -300m to + 3,000m
- Shock: 15g/11ms
- Bump: 10g/16ms
- Vibration (sinusoidal): 2g/10..150Hz
- Conformal coating on request

### Safety

- PCB manufactured with a flammability rating of 94V-0 by UL recognized manufacturers

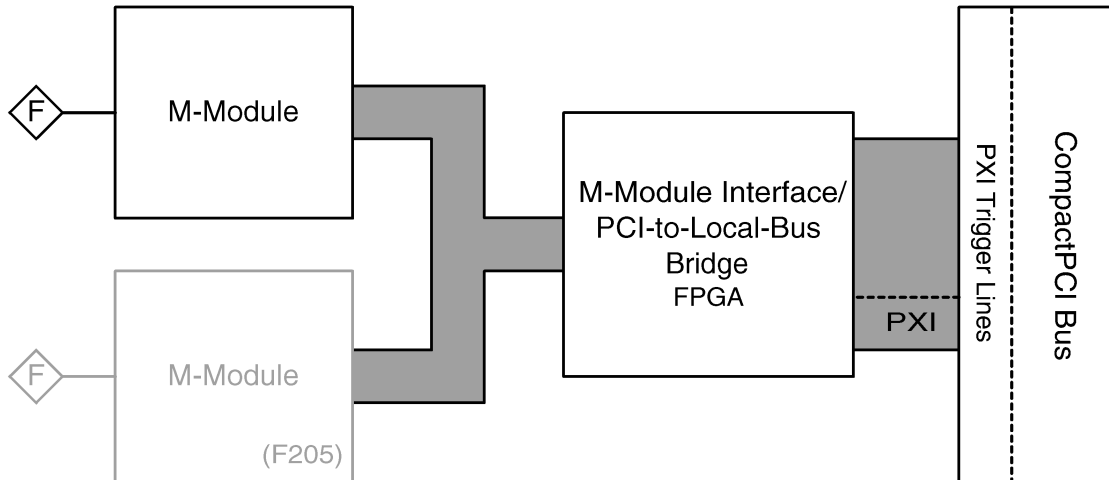
### EMC

- Tested according to EN 55022 (radio disturbance), IEC1000-4-2 (ESD) and IEC1000-4-4 (burst)

### Software Support

- M-Module™ drivers for Windows®, VxWorks®, Linux, QNX®, OS-9® as supported

**Diagram**



## Configuration & Options

### Standard Configurations

Article No.	M-Module™ Slots	M-Module™ Characteristics	Operation Temperature
02F204-00	1	A08/D16	0..+60°C
02F204-01	1	A08/D16	-40..+85°C
02F204-02	1	A24/D32	-40..+85°C
02F205-00	2	A08/D16	0..+60°C
02F205-01	2	A08/D16	-40..+85°C
02F205-05	2	A24/D32	-40..+85°C

### Options

#### M-Module™ Slots

- 1 or 2

#### M-Module™ Characteristics

- A08/D16 or A24/D32 support

#### Operation Temperature

- 0..+60°C
- -40..+85°C

## Ordering Information

### Standard Hardware

- 02F205-00** M-Module™ carrier board for 2 M-Modules™, 0...+60°C
- 02F205-01** M-Module™ carrier board for 2 M-Modules™, -40...+85°C screened
- 02F205-05** M-Module™ carrier board, 2 slots, A24 access, -40...+85°C qualified

### Miscellaneous

- 05M000-15** Front-panel cover for M-Module™ cut-outs at front panels, snap-in, 10 pcs
- 05M000-17** 25 mounting screw sets to fix M-Modules™ on carrier boards

### Documentation

- 20APPN001** Application Note: Using MEN +5V CompactPCI® Boards with +3.3V V(I/O)
- 20F204-00** F204/F205 User Manual

For the most up-to-date ordering information and direct links to other data sheets and downloads, see the F205 online data sheet under » [www.men.de](http://www.men.de).

### Diamond Point International (Europe) Ltd

Suite 13, Ashford House, Beaufort Court

Sir Thomas Longley Road, Rochester, Kent, ME2 4FA, UK

Phone 01634 300900 - Fax 01634 722398 - Email [sales@dpie.com](mailto:sales@dpie.com) – Web [www.dpie.com](http://www.dpie.com) [www.dpieshop.com](http://www.dpieshop.com)



[www.dpie.com](http://www.dpie.com)

#### Germany

MEN Mikro Elektronik GmbH  
Neuwieder Straße 5-7  
90411 Nuremberg  
Phone +49-911-99 33 5-0  
Fax +49-911-99 33 5-901  
E-mail [info@men.de](mailto:info@men.de)  
[www.men.de](http://www.men.de)

#### France

MEN Mikro Elektronik SA  
18, rue René Cassin  
ZA de la Châtelaine  
74240 Gaillard  
Phone +33 (0) 450-955-312  
Fax +33 (0) 450-955-211  
E-mail [info@men-france.fr](mailto:info@men-france.fr)  
[www.men-france.fr](http://www.men-france.fr)

#### USA

MEN Micro, Inc.  
24 North Main Street  
Ambler, PA 19002  
Phone (215) 542-9575  
Fax (215) 542-9577  
E-mail [sales@menmicro.com](mailto:sales@menmicro.com)  
[www.menmicro.com](http://www.menmicro.com)

The date of issue stated in this data sheet refers to the Technical Data only. Changes in ordering information given herein do not affect the date of issue.

All brand or product names are trademarks or registered trademarks of their respective holders.

Information in this document has been carefully checked and is believed to be accurate as of the date of publication; however, no responsibility is assumed for inaccuracies. MEN Mikro Elektronik accepts no liability for consequential or incidental damages arising from the use of its products and reserves the right to make changes on the products herein without notice to improve reliability, function or design. MEN Mikro Elektronik does not assume any liability arising out of the application or use of the products described in this document.

The products of MEN Mikro Elektronik are not suited for use in nuclear reactors and for application in medical appliances used for therapeutical purposes.

Application of MEN's products in such plants is only possible after the user has precisely specified the operation environment and after MEN Mikro Elektronik has consequently adapted and released the product.

Copyright © 2008 MEN Mikro Elektronik GmbH. All rights reserved.



mikro elektronik  
gmbh • nürnberg



## Artisan Technology Group is your source for quality new and certified-used/pre-owned equipment

- FAST SHIPPING AND DELIVERY
- TENS OF THOUSANDS OF IN-STOCK ITEMS
- EQUIPMENT DEMOS
- HUNDREDS OF MANUFACTURERS SUPPORTED
- LEASING/MONTHLY RENTALS
- ITAR CERTIFIED SECURE ASSET SOLUTIONS

### SERVICE CENTER REPAIRS

Experienced engineers and technicians on staff at our full-service, in-house repair center

### *InstraView*<sup>SM</sup> REMOTE INSPECTION

Remotely inspect equipment before purchasing with our interactive website at [www.instraview.com](http://www.instraview.com) ↗

### WE BUY USED EQUIPMENT

Sell your excess, underutilized, and idle used equipment. We also offer credit for buy-backs and trade-ins. [www.artisanng.com/WeBuyEquipment](http://www.artisanng.com/WeBuyEquipment) ↗

### LOOKING FOR MORE INFORMATION?

Visit us on the web at [www.artisanng.com](http://www.artisanng.com) ↗ for more information on price quotations, drivers, technical specifications, manuals, and documentation

**Contact us:** (888) 88-SOURCE | [sales@artisanng.com](mailto:sales@artisanng.com) | [www.artisanng.com](http://www.artisanng.com)