



Artisan Technology Group is your source for quality new and certified-used/pre-owned equipment

- FAST SHIPPING AND DELIVERY
- TENS OF THOUSANDS OF IN-STOCK ITEMS
- EQUIPMENT DEMOS
- HUNDREDS OF MANUFACTURERS SUPPORTED
- LEASING/MONTHLY RENTALS
- ITAR CERTIFIED SECURE ASSET SOLUTIONS

SERVICE CENTER REPAIRS

Experienced engineers and technicians on staff at our full-service, in-house repair center

*InstraView*SM REMOTE INSPECTION

Remotely inspect equipment before purchasing with our interactive website at www.instraview.com ↗

WE BUY USED EQUIPMENT

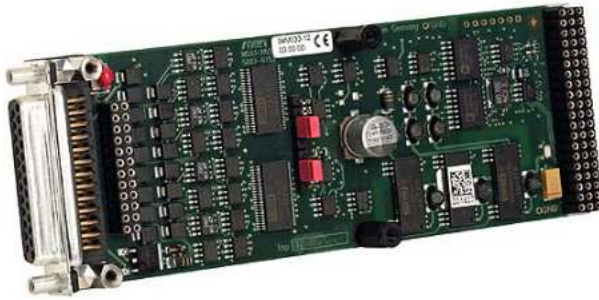
Sell your excess, underutilized, and idle used equipment. We also offer credit for buy-backs and trade-ins. www.artisanng.com/WeBuyEquipment ↗

LOOKING FOR MORE INFORMATION?

Visit us on the web at www.artisanng.com ↗ for more information on price quotations, drivers, technical specifications, manuals, and documentation

Contact us: (888) 88-SOURCE | sales@artisanng.com | www.artisanng.com

M33 - 8 Analog Outputs



- 8 current or voltage outputs
- 12 bits resolution
- 10 μ s acquisition/conversion time
- Simultaneous channel update
- Optical isolation
- -40 to +85°C screened versions

The M33 is a highly flexible M-Module™ for analog output signals. The isolated supply voltages can be generated by an on-board DC/DC converter. The output voltage range can be set to 0..10V, -5..+5V or -10..+10V for each channel by software. In addition, the current outputs can be used with 0..20mA or 4..20mA. The output load is driven to ground. Attention: An external supply is needed with 8 current outputs!

The M33 is based on the M-Module™ ANSI mezzanine standard. It can be used as an I/O extension in any type of bus system, i.e. CPCI, VME or on any type of stand-alone SBC. Appropriate M-Module™ carrier cards in 3U, 6U and other formats are available from MEN or other manufacturers.

Technical Data

D/A Conversion

- 8 channels
- 12 bits
- DAC conversion time 10 μ s
- ± 5 LSB gain
- Simultaneous update of all channels possible

Voltage Output

- Output current: 5mA max.
- Output linearity: ± 1 LSB
- Accuracy: $\pm 0.2\%$, ± 1 LSB differential
- Voltage ranges: 0..10V; -5V..+5V; -10V..+10V
- Voltage output stable up to 1 μ F capacitive load

Current Output

- Accuracy: $\pm 0.5\%$
- Current range: 0..20mA; 4..20mA
- Max. output voltage 10V
- Load resistance range: 0..500 Ohm

Slew Rates for Voltage Output

- 0V..+10V mode: switch from 0V to +10V; slew rate (SR) = 4V/ μ s
- -5V..+5V mode: switch from -5V to +5V; slew rate (SR) = 4V/ μ s
- -10V..+10V mode: switch from -10V to +10V; slew rate (SR) = 4V/ μ s

Peripheral Connections

- Via front panel on a shielded 25-pin D-Sub receptacle connector
- Via carrier board (rear I/O)

M-Module™ Characteristics

- A08, D16, IDENT

Electrical Specifications

- Isolation voltage: 500V DC
- Supply voltage/power consumption:
 - +5V (4.85V..5.25V), 480mA quiescent current, 600mA with 8 channels voltage output, 650mA with 4 channels current output
 - External supply voltage +24V: 15.6V..30V
- MTBF: 200,000h @ 50°C (derived from MIL-HDBK-217F)

Mechanical Specifications

- Dimensions: conforming to M-Module™ Standard
- Weight: 80g

Environmental Specifications

- Temperature range (operation):
 - 0..+60°C
 - Industrial temperature range on request
 - Airflow: min. 10m³/h
- Temperature range (storage): -40..+85°C
- Relative humidity range (operation): max. 95% non-condensing
- Relative humidity range (storage): max. 95% non-condensing
- Altitude: -300m to + 3,000m
- Shock: 15g/11ms
- Bump: 10g/16ms
- Vibration (sinusoidal): 2g/10..150Hz
- Conformal coating on request

Safety

- PCB manufactured with a flammability rating of 94V-0 by UL recognized manufacturers

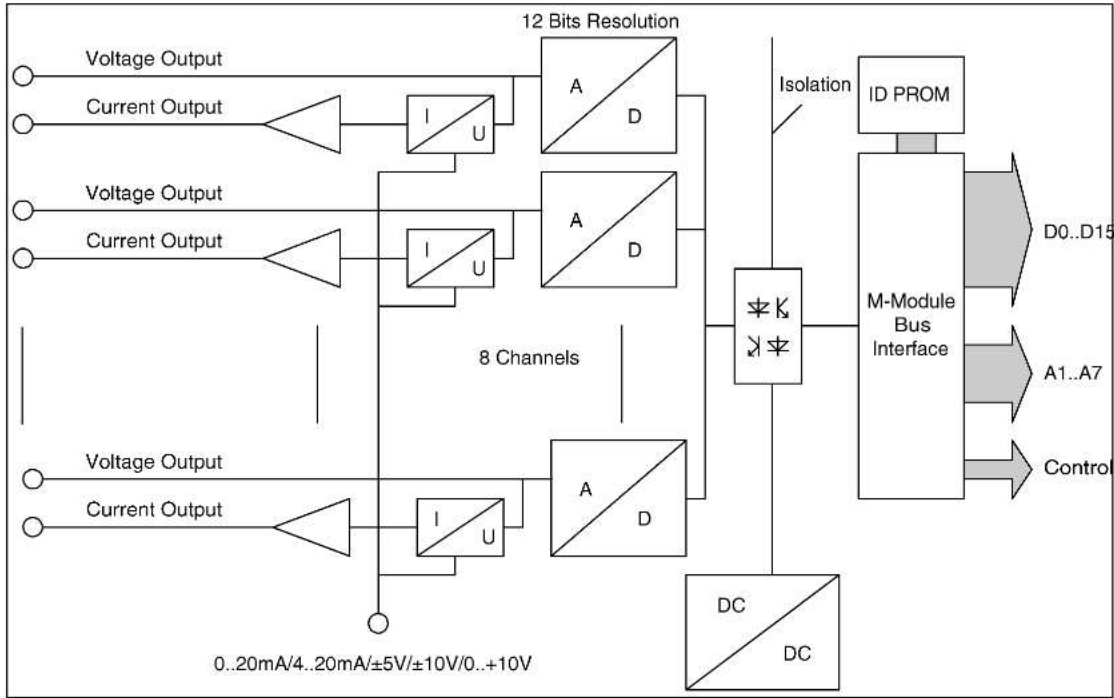
EMC

- Tested according to EN 55022 (radio disturbance), IEC1000-4-2 (ESD) and IEC1000-4-4 (burst)

Software Support

- MEN Driver Interface System (MDIS™ for Windows®, Linux, VxWorks®, QNX®, OS-9®)
- For more information on supported operating system versions and drivers see Software.

Diagram



Configuration & Options

Standard Configurations

Article No.	Channels	Operation Temperature
04M033-10	4	0..+60°C
04M033-11	4	-40..+85°C
04M033-12	8	0..+60°C
04M033-13	8	-40..+85°C

Options

Channels

- 4 or 8

Operation Temperature

- 0..+60°C
- -40..+85°C

Ordering Information

Standard Hardware

04M033-10	4 analog outputs, 0..+60°C
04M033-11	4 analog outputs, -40..+85°C screened
04M033-12	8 analog outputs, 0..+60°C
04M033-13	8 analog outputs, -40..+85°C screened

Miscellaneous

05M000-00	M-Module cable, 2m, with 25-pin D-Sub plug/housing to pig tail
05M000-17	25 mounting screw sets to fix M-Modules on carrier boards

Software: OS independent

13M033-06	MDIS4/2004 low-level driver sources (MEN) for M33
------------------	---

Software: Windows

13M033-70	MDIS4/2004 Windows driver (MEN) for M33
------------------	---

Documentation

20M000-00	M-Module Draft Specification, Rev. 3.0
20M033-00	M33 User Manual

For the most up-to-date ordering information and direct links to other data sheets and downloads, see the M33 online data sheet under » www.men.de.

Contact Information

Germany

MEN Mikro Elektronik GmbH
 Neuwieder Straße 5-7
 90411 Nuremberg
 Phone +49-911-99 33 5-0
 Fax +49-911-99 33 5-901
 E-mail info@men.de
www.men.de

France

MEN Mikro Elektronik SA
 18, rue René Cassin
 ZA de la Châtelaine
 74240 Gaillard
 Phone +33 (0) 450-955-312
 Fax +33 (0) 450-955-211
 E-mail info@men-france.fr
www.men-france.fr

USA

MEN Micro, Inc.
 24 North Main Street
 Ambler, PA 19002
 Phone (215) 542-9575
 Fax (215) 542-9577
 E-mail sales@menmicro.com
www.menmicro.com

The date of issue stated in this data sheet refers to the Technical Data only. Changes in ordering information given herein do not affect the date of issue.

All brand or product names are trademarks or registered trademarks of their respective holders.

Information in this document has been carefully checked and is believed to be accurate as of the date of publication; however, no responsibility is assumed for inaccuracies. MEN Mikro Elektronik accepts no liability for consequential or incidental damages arising from the use of its products and reserves the right to make changes on the products herein without notice to improve reliability, function or design. MEN Mikro Elektronik does not assume any liability arising out of the application or use of the products described in this document.

The products of MEN Mikro Elektronik are not suited for use in nuclear reactors or for application in medical appliances used for therapeutical purposes.

Application of MEN's products in such plants is only possible after the user has precisely specified the operation environment and after MEN Mikro Elektronik has consequently adapted and released the product.

Copyright © 2010 MEN Mikro Elektronik GmbH. All rights reserved.





Artisan Technology Group is your source for quality new and certified-used/pre-owned equipment

- FAST SHIPPING AND DELIVERY
- TENS OF THOUSANDS OF IN-STOCK ITEMS
- EQUIPMENT DEMOS
- HUNDREDS OF MANUFACTURERS SUPPORTED
- LEASING/MONTHLY RENTALS
- ITAR CERTIFIED SECURE ASSET SOLUTIONS

SERVICE CENTER REPAIRS

Experienced engineers and technicians on staff at our full-service, in-house repair center

*InstraView*SM REMOTE INSPECTION

Remotely inspect equipment before purchasing with our interactive website at www.instraview.com ↗

WE BUY USED EQUIPMENT

Sell your excess, underutilized, and idle used equipment. We also offer credit for buy-backs and trade-ins. www.artisanng.com/WeBuyEquipment ↗

LOOKING FOR MORE INFORMATION?

Visit us on the web at www.artisanng.com ↗ for more information on price quotations, drivers, technical specifications, manuals, and documentation

Contact us: (888) 88-SOURCE | sales@artisanng.com | www.artisanng.com