



Artisan Technology Group is your source for quality new and certified-used/pre-owned equipment

- FAST SHIPPING AND DELIVERY
- TENS OF THOUSANDS OF IN-STOCK ITEMS
- EQUIPMENT DEMOS
- HUNDREDS OF MANUFACTURERS SUPPORTED
- LEASING/MONTHLY RENTALS
- ITAR CERTIFIED SECURE ASSET SOLUTIONS

SERVICE CENTER REPAIRS

Experienced engineers and technicians on staff at our full-service, in-house repair center

*InstraView*SM REMOTE INSPECTION

Remotely inspect equipment before purchasing with our interactive website at www.instraview.com ↗

WE BUY USED EQUIPMENT

Sell your excess, underutilized, and idle used equipment. We also offer credit for buy-backs and trade-ins. www.artisanng.com/WeBuyEquipment ↗

LOOKING FOR MORE INFORMATION?

Visit us on the web at www.artisanng.com ↗ for more information on price quotations, drivers, technical specifications, manuals, and documentation

Contact us: (888) 88-SOURCE | sales@artisanng.com | www.artisanng.com

M43 - 8 Relay Outputs



- 8 relay outputs
- 1A switching power per relay
- One throw-over contact per relay
- Output voltage range max. 100V
- No separate supply voltage

The M43 is a relay output M-Module™ for free potential switching of eight signals. It is designed for industrial process I/O applications.

The relays implemented guarantee highest reliability and long life.

The M43 is based on the M-Module™ ANSI mezzanine standard. It can be used as an I/O extension in any

type of bus system, i.e. CPCI, PXI™, VME or on any type of stand-alone SBC. Appropriate M-Module™ carrier cards in 3U, 6U and other formats are available from MEN or other manufacturers.

Technical Data

Relay Outputs

- 8 outputs as throw-over contacts
- NO (normally open), NC (normally closed) and common contacts

Ratings

- Maximum switching voltage: 48V
- Maximum switching current: 3A
- Maximum operation current: 1A
- Maximum switching power: 60W

Switching Time

- 2ms typ. for NO and NC

Miscellaneous

- Relay status can be read out - "read-modify-write" accesses possible
- Low heat development by use of CMOS components

Peripheral Connections

- Via front panel on a shielded 25-pin D-Sub receptacle connector
- Via carrier board (rear I/O)

M-Module™ Characteristics

- A08, D08, IDENT

Electrical Specifications

- Supply voltage/power consumption: +5V (+10%/-0%), 700mA typ. (all relays active)
- MTBF: 1,000,000h @ 50°C (derived from MIL-HDBK-217F)

Mechanical Specifications

- Dimensions: conforming to M-Module™ Standard
- Weight: 98g

Environmental Specifications

- Temperature range (operation):
 - 0..+60°C
 - Industrial temperature range on request
 - Airflow: min. 10m³/h
- Temperature range (storage): -40..+85°C
- Relative humidity range (operation): max. 95% non-condensing
- Relative humidity range (storage): max. 95% non-condensing
- Altitude: -300m to + 3,000m
- Shock: 15g/11ms
- Bump: 10g/16ms
- Vibration (sinusoidal): 2g/10..150Hz
- Conformal coating on request

Safety

- PCB manufactured with a flammability rating of 94V-0 by UL recognized manufacturers

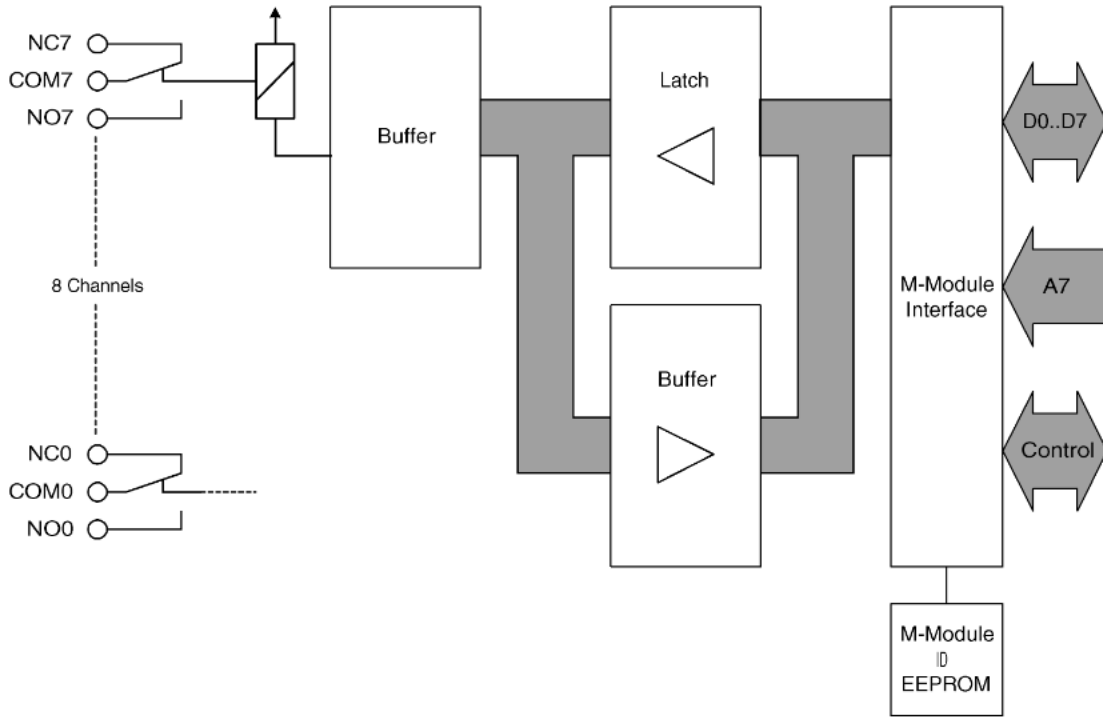
EMC

- Tested according to EN 55022 (radio disturbance), IEC1000-4-2 (ESD) and IEC1000-4-4 (burst) with regard to CE conformity

Software Support

- MEN Driver Interface System (MDIS™ for Windows®, Linux, VxWorks®, QNX®, RTX, OS-9®)

Diagram



Ordering Information

Standard Hardware

- 04M043-00** 8 relay outputs, 0..+60°C
04M043-03 8 relay outputs, 1KV isolation, -40..+85°C
 screened

Miscellaneous

- 05M000-00** M-Module™ cable, 2m, with 25-pin D-Sub
 plug/housing to pig tail
05M000-17 25 mounting screw sets to fix M-Modules™ on
 carrier boards

Software: OS independent

- 13M043-06** MDIS4™/2004 low-level driver sources for
 M43

Software: Windows

- 13M043-70** MDIS4™/2004 Windows® NT4/W2K/XP and XP
 Embedded driver for M43

Documentation

- 20M000-00** M-Module™ draft specification, Rev. 3.0
20M043-00 M43 user manual

For the most up-to-date ordering information and direct
 links to other data sheets and downloads, see the M43
 online data sheet under » www.men.de.

Contact Information

Germany

MEN Mikro Elektronik GmbH
 Neuwieder Straße 5-7
 90411 Nuremberg
 Phone +49-911-99 33 5-0
 Fax +49-911-99 33 5-901
 E-mail info@men.de
www.men.de

France

MEN Mikro Elektronik SA
 18, rue René Cassin
 ZA de la Châtelaine
 74240 Gaillard
 Phone +33 (0) 450-955-312
 Fax +33 (0) 450-955-211
 E-mail info@men-france.fr
www.men-france.fr

USA

MEN Micro, Inc.
 PO Box 4160
 Lago Vista, TX 78645-4160
 Phone (512) 267-8883
 Fax (512) 267-8803
 E-mail sales@menmicro.com
www.menmicro.com

The date of issue stated in this data sheet refers to the Technical Data only. Changes in ordering information given herein do not affect the date of issue.

All brand or product names are trademarks or registered trademarks of their respective holders.

Information in this document has been carefully checked and is believed to be accurate as of the date of publication; however, no responsibility is assumed for inaccuracies. MEN Mikro Elektronik accepts no liability for consequential or incidental damages arising from the use of its products and reserves the right to make changes on the products herein without notice to improve reliability, function or design. MEN Mikro Elektronik does not assume any liability arising out of the application or use of the products described in this document.

The products of MEN Mikro Elektronik are not suited for use in nuclear reactors and for application in medical appliances used for therapeutical purposes.

Application of MEN's products in such plants is only possible after the user has precisely specified the operation environment and after MEN Mikro Elektronik has consequently adapted and released the product.

Copyright © 2006 MEN Mikro Elektronik GmbH. All rights reserved.





Artisan Technology Group is your source for quality new and certified-used/pre-owned equipment

- FAST SHIPPING AND DELIVERY
- TENS OF THOUSANDS OF IN-STOCK ITEMS
- EQUIPMENT DEMOS
- HUNDREDS OF MANUFACTURERS SUPPORTED
- LEASING/MONTHLY RENTALS
- ITAR CERTIFIED SECURE ASSET SOLUTIONS

SERVICE CENTER REPAIRS

Experienced engineers and technicians on staff at our full-service, in-house repair center

*InstraView*SM REMOTE INSPECTION

Remotely inspect equipment before purchasing with our interactive website at www.instraview.com ↗

WE BUY USED EQUIPMENT

Sell your excess, underutilized, and idle used equipment. We also offer credit for buy-backs and trade-ins. www.artisanng.com/WeBuyEquipment ↗

LOOKING FOR MORE INFORMATION?

Visit us on the web at www.artisanng.com ↗ for more information on price quotations, drivers, technical specifications, manuals, and documentation

Contact us: (888) 88-SOURCE | sales@artisanng.com | www.artisanng.com