



Artisan Technology Group is your source for quality new and certified-used/pre-owned equipment

- FAST SHIPPING AND DELIVERY
- TENS OF THOUSANDS OF IN-STOCK ITEMS
- EQUIPMENT DEMOS
- HUNDREDS OF MANUFACTURERS SUPPORTED
- LEASING/MONTHLY RENTALS
- ITAR CERTIFIED SECURE ASSET SOLUTIONS

SERVICE CENTER REPAIRS

Experienced engineers and technicians on staff at our full-service, in-house repair center

*InstraView*SM REMOTE INSPECTION

Remotely inspect equipment before purchasing with our interactive website at www.instraview.com ↗

WE BUY USED EQUIPMENT

Sell your excess, underutilized, and idle used equipment. We also offer credit for buy-backs and trade-ins. www.artisanng.com/WeBuyEquipment ↗

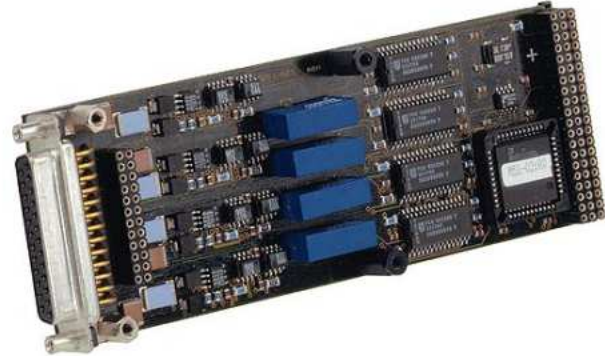
LOOKING FOR MORE INFORMATION?

Visit us on the web at www.artisanng.com ↗ for more information on price quotations, drivers, technical specifications, manuals, and documentation

Contact us: (888) 88-SOURCE | sales@artisanng.com | www.artisanng.com

M51 – Quadruple CAN Interface

- 4 SJA1000 CAN controllers
- 2.0B Basic CAN/Extended CAN
- ISO high-speed coupling
- Optical isolation
- CAN Layer 2 support
- -40 to +85°C screened versions
- Not conforming to RoHS



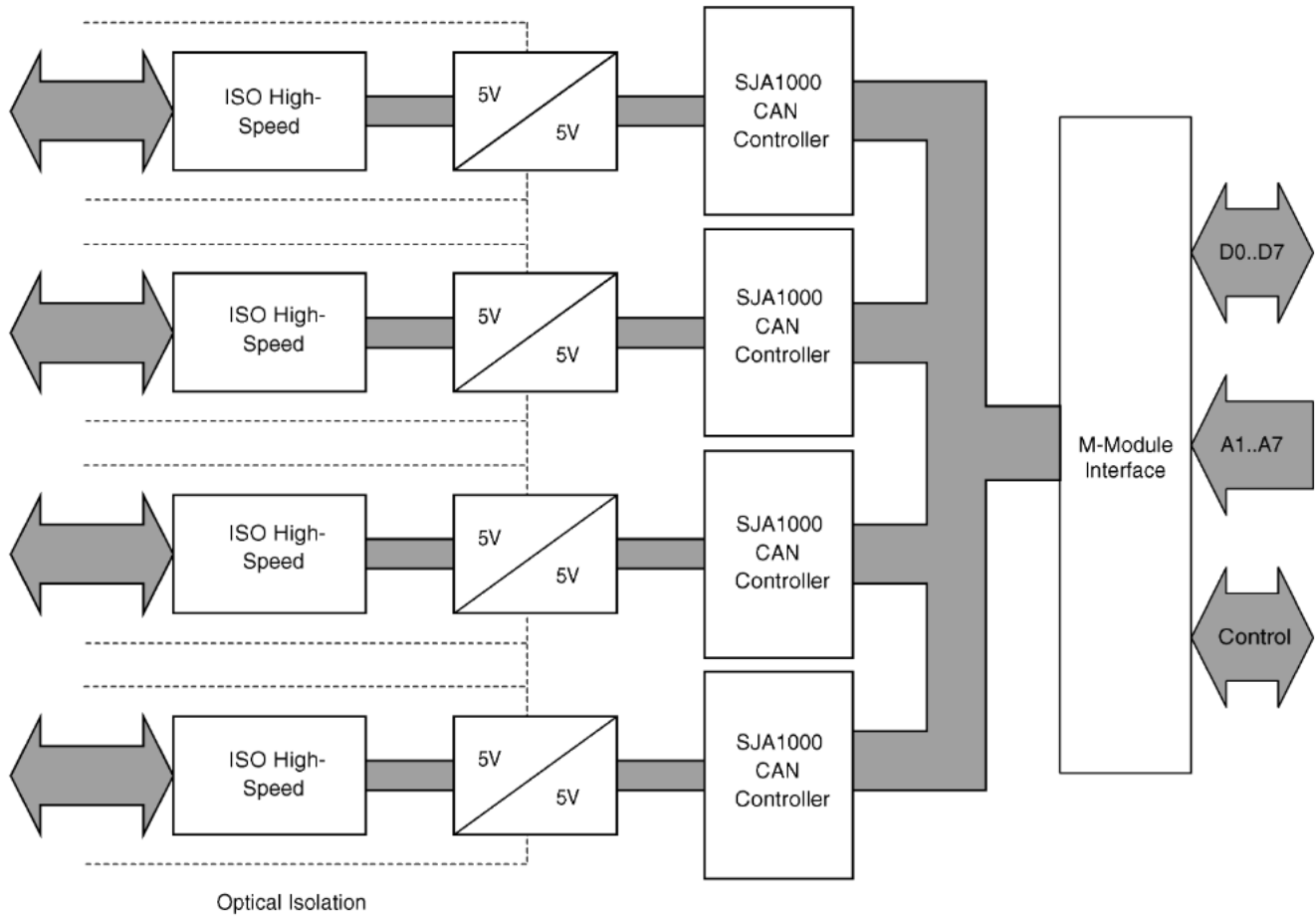
The mezzanine card M51 is a CAN bus interface M-Module™ based on the SJA1000. It is available with one or four CAN bus controllers. The M-Module™ is equally suitable in fieldbus applications and for test and diagnosis equipment for the CAN bus or CAN bus devices. All channels are optically isolated from the system and from each other.

The four-channel version has been designed for example for use of SLIO CAN devices (serial linked I/O) to increase the I/O capabilities of your system in a very cost-effective way.

The M51 also supports network configurations that require high speed with short distances and low speed over long distances.

The M51 is based on the M-Module™ ANSI mezzanine standard. It can be used as an I/O extension in any type of bus system, i.e. CPCI, VME or on any type of stand-alone SBC. Appropriate M-Module™ carrier cards in 3U, 6U and other formats are available from MEN or other manufacturers.

Diagram



Technical Data

Four SJA1000 CAN Controllers	<ul style="list-style-type: none">■ CAN 2.0B functionality, Extended CAN■ Serial multi-master network with unlimited number of nodes■ Bus access priorities■ 29-bit message identifier■ Powerful error handling capabilities■ Programmable transfer rates up to 1Mbit/s■ Bus length up to 40m at 1Mbit/s (ISO high speed)■ Guaranteed latency for highest-priority objects■ 0..8 bytes data block length
Physical Interface	<ul style="list-style-type: none">■ ISO high speed coupling (optically isolated)
Peripheral Connections	<ul style="list-style-type: none">■ Via front panel on a shielded 25-pin D-Sub receptacle connector■ Via carrier board (rear I/O)
M-Module™ Characteristics	<ul style="list-style-type: none">■ A08, D08, INTA, IDENT
Electrical Specifications	<ul style="list-style-type: none">■ Isolation voltage: 500V DC■ Supply voltage/power consumption: +5V (4.85V..5.25V), 900mA typ. (with four CAN controllers)■ MTBF: 45,000h @ 50°C (derived from MIL-HDBK-217F)
Mechanical Specifications	<ul style="list-style-type: none">■ Dimensions: conforming to M-Module™ Standard■ Weight: 90g
Environmental Specifications	<ul style="list-style-type: none">■ Temperature range (operation):<ul style="list-style-type: none">□ 0..+60°C□ Industrial temperature range on request□ Airflow: min. 10m³/h■ Temperature range (storage): -40..+85°C■ Relative humidity range (operation): max. 95% non-condensing■ Relative humidity range (storage): max. 95% non-condensing■ Altitude: -300m to + 3,000m■ Shock: 15g/11ms■ Bump: 10g/16ms■ Vibration (sinusoidal): 2g/10..150Hz■ Conformal coating on request
Safety	<ul style="list-style-type: none">■ PCB manufactured with a flammability rating of 94V-0 by UL recognized manufacturers
EMC	<ul style="list-style-type: none">■ Tested according to EN 55022 (radio disturbance), IEC1000-4-2 (ESD) and IEC1000-4-4 (burst)
Software Support	<ul style="list-style-type: none">■ CAN Layer 2 (MDIS™ for Windows®, Linux, VxWorks®, QNX®, OS-9®)■ For more information on supported operating system versions and drivers see Downloads.

Configuration & Options

Standard Configurations

Article No.	Channels	Operation Temperature
04M051-00	1	0..+60°C
04M051-01	4	0..+60°C
04M051-07	4	-40..+85°C

Options

Channels	<ul style="list-style-type: none"> ■ 1 or 4
Operation Temperature	<ul style="list-style-type: none"> ■ 0..+60°C ■ -40..+85°C

Ordering Information

Standard M51 Models	04M051-01	4-channel CAN bus interface, 0..+60°C, no RoHS
Miscellaneous Accessories	05M000-00	M-Module™ cable, 2m, with 25-pin D-Sub plug/housing to pig tail
	05M000-17	25 mounting screw sets to fix M-Modules™ on carrier boards
Software: Linux	This product is designed to work under Linux. See below for potentially available separate software packages from MEN.	
	13Z005-06	MDIS4™/2004 low-level driver sources (MEN) for M51 and M74
Software: Windows®	This product is designed to work under Windows®. See below for potentially available separate software packages from MEN.	
	13Z005-70	MDIS4™/2004 Windows® driver (MEN) for M51 and M74
Software: VxWorks®	This product is designed to work under VxWorks®. For details regarding supported/unsupported board functions please refer to the corresponding software data sheets.	
	13Z005-06	MDIS4™/2004 low-level driver sources (MEN) for M51 and M74
Software: QNX®	This product is designed to work under QNX®. For details regarding supported/unsupported board functions please refer to the corresponding software data sheets.	
	13Z005-06	MDIS4™/2004 low-level driver sources (MEN) for M51 and M74
Software: OS-9®	This product is designed to work under OS-9®. For details regarding supported/unsupported board functions please refer to the corresponding software data sheets.	
	13Z005-06	MDIS4™/2004 low-level driver sources (MEN) for M51 and M74

For operating systems not mentioned here [contact MEN sales](#).

Documentation	Compare Chart fieldbus M-Modules™ » Download	
	20M000-00	M-Module™ Draft Specification, Rev. 3.0
	20M051-00	M51 User Manual

Contact Information

Germany

MEN Mikro Elektronik GmbH
Neuwieder Straße 3-7
90411 Nuremberg
Phone +49-911-99 33 5-0
Fax +49-911-99 33 5-901

info@men.de
www.men.de

France

MEN Mikro Elektronik SA
18, rue René Cassin
ZA de la Châtelaine
74240 Gaillard
Phone +33 (0) 450-955-312
Fax +33 (0) 450-955-211

info@men-france.fr
www.men-france.fr

USA

MEN Micro, Inc.
24 North Main Street
Ambler, PA 19002
Phone (215) 542-9575
Fax (215) 542-9577

sales@menmicro.com
www.menmicro.com

The date of issue stated in this data sheet refers to the Technical Data only. Changes in ordering information given herein do not affect the date of issue. All brand or product names are trademarks or registered trademarks of their respective holders.

MEN is not responsible for the results of any actions taken on the basis of information in the publication, nor for any error in or omission from the publication.

MEN expressly disclaims all and any liability and responsibility to any person, whether a reader of the publication or not, in respect of anything, and of the consequences of anything, done or omitted to be done by any such person in reliance, whether wholly or partially, on the whole or any part of the contents of the publication.

The correct function of MEN products in mission-critical and life-critical applications is limited to the environmental specification given for each product in the technical user manual. The correct function of MEN products under extended environmental conditions is limited to the individual requirement specification and subsequent validation documents for each product for the applicable use case and has to be agreed upon in writing by MEN and the customer. Should the customer purchase or use MEN products for any unintended or unauthorized application, the customer shall indemnify and hold MEN and its officers, employees, subsidiaries, affiliates, and distributors harmless against all claims, costs, damages, and expenses, and reasonable attorney fees arising out of, directly or indirectly, any claim or personal injury or death associated with such unintended or unauthorized use, even if such claim alleges that MEN was negligent regarding the design or manufacture of the part.

In no case is MEN liable for the correct function of the technical installation where MEN products are a part of.

Copyright © 2013 MEN Mikro Elektronik GmbH. All rights reserved.



Artisan Technology Group is your source for quality new and certified-used/pre-owned equipment

- FAST SHIPPING AND DELIVERY
- TENS OF THOUSANDS OF IN-STOCK ITEMS
- EQUIPMENT DEMOS
- HUNDREDS OF MANUFACTURERS SUPPORTED
- LEASING/MONTHLY RENTALS
- ITAR CERTIFIED SECURE ASSET SOLUTIONS

SERVICE CENTER REPAIRS

Experienced engineers and technicians on staff at our full-service, in-house repair center

*InstraView*SM REMOTE INSPECTION

Remotely inspect equipment before purchasing with our interactive website at www.instraview.com ↗

WE BUY USED EQUIPMENT

Sell your excess, underutilized, and idle used equipment. We also offer credit for buy-backs and trade-ins. www.artisanng.com/WeBuyEquipment ↗

LOOKING FOR MORE INFORMATION?

Visit us on the web at www.artisanng.com ↗ for more information on price quotations, drivers, technical specifications, manuals, and documentation

Contact us: (888) 88-SOURCE | sales@artisanng.com | www.artisanng.com