



Artisan Technology Group is your source for quality new and certified-used/pre-owned equipment

- FAST SHIPPING AND DELIVERY
- TENS OF THOUSANDS OF IN-STOCK ITEMS
- EQUIPMENT DEMOS
- HUNDREDS OF MANUFACTURERS SUPPORTED
- LEASING/MONTHLY RENTALS
- ITAR CERTIFIED SECURE ASSET SOLUTIONS

SERVICE CENTER REPAIRS

Experienced engineers and technicians on staff at our full-service, in-house repair center

*InstraView*SM REMOTE INSPECTION

Remotely inspect equipment before purchasing with our interactive website at www.instraview.com ↗

WE BUY USED EQUIPMENT

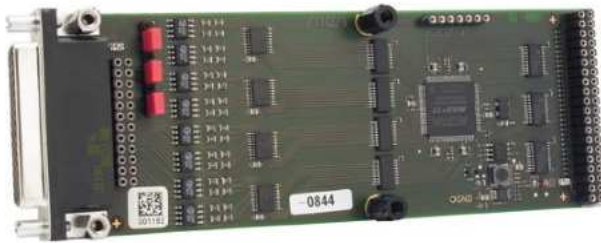
Sell your excess, underutilized, and idle used equipment. We also offer credit for buy-backs and trade-ins. www.artisanng.com/WeBuyEquipment ↗

LOOKING FOR MORE INFORMATION?

Visit us on the web at www.artisanng.com ↗ for more information on price quotations, drivers, technical specifications, manuals, and documentation

Contact us: (888) 88-SOURCE | sales@artisanng.com | www.artisanng.com

M58 - 32-bit TTL I/O Interface



- 32 TTL inputs/outputs
- Output current per pin: max. 25 mA
- Active terminators
- Same line interface as SCSI
- Fast 16-bit host access
- -40 to +85°C screened versions

The M58 TTL I/O M-Module™ is used for fast and trouble-free transmission of binary signals. It is organized in four 8-bit groups, where each group can be programmed as an input or output. Every group supports active termination, which can be activated by software. A trigger line allows simultaneous acquisition of the inputs of several groups - also on several modules - at a specific point of time. All port lines are ESD-protected, but not optically

isolated.

The M58 is based on the M-Module™ ANSI mezzanine standard. It can be used as an I/O extension in any type of bus system, i.e. CPCI, VME or on any type of stand-alone SBC. Appropriate M-Module™ carrier cards in 3U, 6U and other formats are available from MEN or other manufacturers.

Technical Data

Input/Output

- 32-bit TTL I/O
- Output current permanent per pin: max. 25mA
- 4 groups, alternatively input or output
- Active terminators can be activated for each group
- Output low current (VOL max. 0.55V): sink min. 25mA
- Output high current (VOH min. 2.0V): source min. 25mA
- Input high current: max. 100µA
- Input low current: max. -100µA
- Input voltage: min. -0.5V, max. 6V
- Switching times:
 - Output low-to-high: tbd.
 - Output high-to-low: tbd.
 - Input: tbd.

Miscellaneous

- Trigger line with interrupt capabilities

Peripheral Connections

- Via front panel on a shielded 44-pin HD-Sub receptacle connector
- Via carrier board (rear I/O)

M-Module™ Characteristics

- A08, D16, INTA, IDENT

Electrical Specifications

- Supply voltage/power consumption: +5V (-3%/+5%), 230mA typ. (idle), 1000mA max.
- MTBF: 1,058,309h @ 40°C according to IEC/TR 62380 (RDF 2000)

Mechanical Specifications

- Dimensions: conforming to M-Module™ Standard
- Weight: 68g

Environmental Specifications

- Temperature range (operation):
 - 0..+60°C or -40..+85°C (screened)
 - Airflow: min. 10m³/h
- Temperature range (storage): -40..+85°C
- Relative humidity range (operation): max. 95% non-condensing
- Relative humidity range (storage): max. 95% non-condensing
- Altitude: -300m to + 3,000m
- Shock: 15g/11ms
- Bump: 10g/16ms
- Vibration (sinusoidal): 2g/10..150Hz
- Conformal coating on request

Safety

- PCB manufactured with a flammability rating of 94V-0 by UL recognized manufacturers

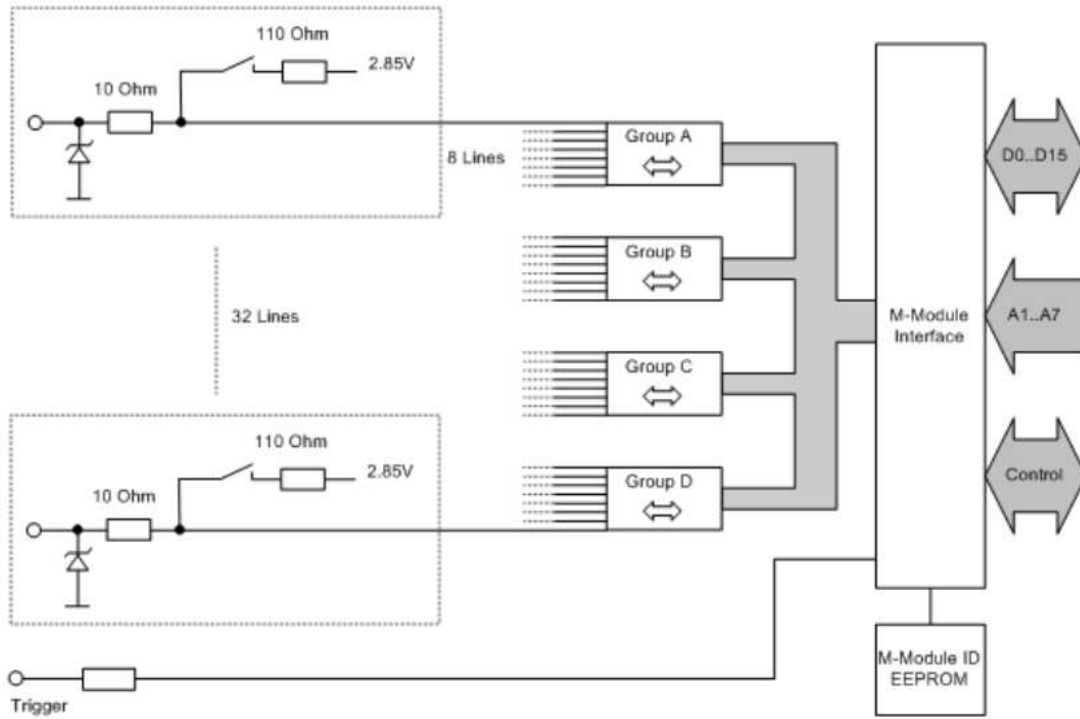
EMC

- Tested according to EN 55022 (radio disturbance), IEC1000-4-2 (ESD) and IEC1000-4-4 (burst)

Software Support

- MEN Driver Interface System (MDIS™ for Windows®, Linux, VxWorks®, QNX®, OS-9®)
- For more information on supported operating system versions and drivers see Software.

Diagram



Ordering Information

Standard Hardware

04M058-00	32-bit TTL I/O, 0..+60°C
04M058-02	32-bit TTL I/O, -40..+85°C screened

Miscellaneous

05M000-14	M-Module cable, 2.5m, with 44-pin HD-Sub plug/housing to pig tail
05M000-17	25 mounting screw sets to fix M-Modules on carrier boards
05M000-20	M-Module cable, 2m with 44-pin HD-Sub plug/housing to 44-pin HD-Sub plug/housing, (connecting 1:1)
05M000-25	M-Module cable, 2m, with 44-pin half-pitch D-Sub plug/housing to 50-pin D-Sub receptacle/housing, (connecting 1:1)

Software: OS independent

13M058-06	MDIS4/2004 low-level driver sources (MEN) for M58
-----------	---

Software: Windows

13M058-70	MDIS4/2004 Windows driver (MEN) for M58
-----------	---

Documentation

20M000-00	M-Module Draft Specification, Rev. 3.0
20M058-00	M58 User Manual

For the most up-to-date ordering information and direct links to other data sheets and downloads, see the M58 online data sheet under » www.men.de.

Contact Information

Germany

MEN Mikro Elektronik GmbH
 Neuwieder Straße 5-7
 90411 Nuremberg
 Phone +49-911-99 33 5-0
 Fax +49-911-99 33 5-901
 E-mail info@men.de
www.men.de

France

MEN Mikro Elektronik SA
 18, rue René Cassin
 ZA de la Châtelaine
 74240 Gaillard
 Phone +33 (0) 450-955-312
 Fax +33 (0) 450-955-211
 E-mail info@men-france.fr
www.men-france.fr

USA

MEN Micro, Inc.
 24 North Main Street
 Ambler, PA 19002
 Phone (215) 542-9575
 Fax (215) 542-9577
 E-mail sales@menmicro.com
www.menmicro.com

The date of issue stated in this data sheet refers to the Technical Data only. Changes in ordering information given herein do not affect the date of issue.

All brand or product names are trademarks or registered trademarks of their respective holders.

Information in this document has been carefully checked and is believed to be accurate as of the date of publication; however, no responsibility is assumed for inaccuracies. MEN Mikro Elektronik accepts no liability for consequential or incidental damages arising from the use of its products and reserves the right to make changes on the products herein without notice to improve reliability, function or design. MEN Mikro Elektronik does not assume any liability arising out of the application or use of the products described in this document.

The products of MEN Mikro Elektronik are not suited for use in nuclear reactors or for application in medical appliances used for therapeutical purposes.

Application of MEN's products in such plants is only possible after the user has precisely specified the operation environment and after MEN Mikro Elektronik has consequently adapted and released the product.

Copyright © 2010 MEN Mikro Elektronik GmbH. All rights reserved.





Artisan Technology Group is your source for quality new and certified-used/pre-owned equipment

- FAST SHIPPING AND DELIVERY
- TENS OF THOUSANDS OF IN-STOCK ITEMS
- EQUIPMENT DEMOS
- HUNDREDS OF MANUFACTURERS SUPPORTED
- LEASING/MONTHLY RENTALS
- ITAR CERTIFIED SECURE ASSET SOLUTIONS

SERVICE CENTER REPAIRS

Experienced engineers and technicians on staff at our full-service, in-house repair center

*InstraView*SM REMOTE INSPECTION

Remotely inspect equipment before purchasing with our interactive website at www.instraview.com ↗

WE BUY USED EQUIPMENT

Sell your excess, underutilized, and idle used equipment. We also offer credit for buy-backs and trade-ins. www.artisanng.com/WeBuyEquipment ↗

LOOKING FOR MORE INFORMATION?

Visit us on the web at www.artisanng.com ↗ for more information on price quotations, drivers, technical specifications, manuals, and documentation

Contact us: (888) 88-SOURCE | sales@artisanng.com | www.artisanng.com