



## Artisan Technology Group is your source for quality new and certified-used/pre-owned equipment

- FAST SHIPPING AND DELIVERY
- TENS OF THOUSANDS OF IN-STOCK ITEMS
- EQUIPMENT DEMOS
- HUNDREDS OF MANUFACTURERS SUPPORTED
- LEASING/MONTHLY RENTALS
- ITAR CERTIFIED SECURE ASSET SOLUTIONS

### SERVICE CENTER REPAIRS

Experienced engineers and technicians on staff at our full-service, in-house repair center

### *InstraView*<sup>SM</sup> REMOTE INSPECTION

Remotely inspect equipment before purchasing with our interactive website at [www.instraview.com](http://www.instraview.com) ↗

### WE BUY USED EQUIPMENT

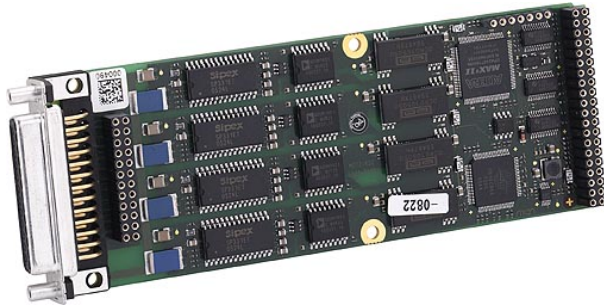
Sell your excess, underutilized, and idle used equipment. We also offer credit for buy-backs and trade-ins. [www.artisanng.com/WeBuyEquipment](http://www.artisanng.com/WeBuyEquipment) ↗

### LOOKING FOR MORE INFORMATION?

Visit us on the web at [www.artisanng.com](http://www.artisanng.com) ↗ for more information on price quotations, drivers, technical specifications, manuals, and documentation

**Contact us:** (888) 88-SOURCE | [sales@artisanng.com](mailto:sales@artisanng.com) | [www.artisanng.com](http://www.artisanng.com)

# M77 - Quad RS232/RS422/RS485 UART



- 4 high-performance UARTs
- 128 bytes FIFO buffer
- Serial data rates up to 1.152 Mbit/s
- Software programmable
- Full and half duplex on 4 channels
- 500 V DC optical isolation
- 180 V DC isolation between channels
- -40 to +85°C screened versions

The mezzanine card M77 is a quad serial interface M-Module™ which supports four high-performance UARTs with RS232 or RS422/485 level at the front-panel D-Sub connector or at the rear I/O connector of the M-Module™.

The interface mode of the M77 can be changed by means of software. The termination resistor for RS422/485 must be set up through an external connection in the cable.

All interface lines are electrically isolated from the system and from each other, which is essential for

advanced automotive and industrial applications.

The M77 is equipped with an M-Module™-ID EEPROM. The M77 is based on the M-Module™ ANSI mezzanine standard. It can be used as an I/O extension in any type of bus system, i.e. CPCI, VME or on any type of stand-alone SBC. Appropriate M-Module™ carrier cards in 3U, 6U and other formats are available from MEN or other manufacturers.

## Technical Data

### Quad RS232/485/422 Interface

- All 4 channels with 4 lines (no handshake lines)
- All 4 channels electrically isolated from the system and from each other

### UART Controller

- 4 independent full-duplex asynchronous 16C950 high performance UART channels each
- 128-byte FIFO for each transmitter and receiver
- UARTs fully software compatible with industry standard 16C55x type UARTs
- Data rates up to 115.2kbit/s
- Readable FIFO levels
- Automated in-band flow control using programmable Xon/Xoff characters, in both directions
- Automated out-of-band flow control using CTS/RTS and/or DSR/DTR
- Arbitrary trigger levels for receiver and transmitter FIFO interrupts
- Programmable special character detection
- 5-, 6-, 7-, 8- and 9-bits data framing
- Detection of bad data in receiver FIFO
- Independent channel reset by software
- Transmitter and receiver can be disabled
- Transmitter idle interrupt
- Sleep mode (low operating current)

### Peripheral Connections

- Via front panel on a shielded 25-pin D-Sub receptacle connector
- Via carrier board (rear I/O)

### M-Module™ Characteristics

- Compliant with M-Module™ standard
- A08, D08, INTA, IDENT

### Electrical Specifications

- Isolation voltage:
  - 500V DC between isolated side and digital side
  - 180V DC between the channels
  - Voltage between the connector shield and isolated ground is limited to 180V using a varistor; AC coupling between connector shield and isolated ground through 47nF capacitor
- Supply voltage/power consumption: +5V (4.85V..5.25V), 200mA typ.
- MTBF: 272,598h @ 40°C according to IEC/TR 62380 (RDF 2000)

### Mechanical Specifications

- Dimensions: conforming to M-Module™ Standard
- Weight: 67g

### Environmental Specifications

- Temperature range (operation):
  - 0..+60°C or -40..+85°C
  - Airflow: min. 10m³/h
- Temperature range (storage): -40..+85°C
- Relative humidity range (operation): max. 95% non-condensing
- Relative humidity range (storage): max. 95% non-condensing
- Altitude: -300m to + 3,000m
- Shock: 15g/11ms
- Bump: 10g/16ms
- Vibration (sinusoidal): 2g/10..150Hz
- Conformal coating on request

### Safety

- PCB manufactured with a flammability rating of 94V-0 by UL recognized manufacturers

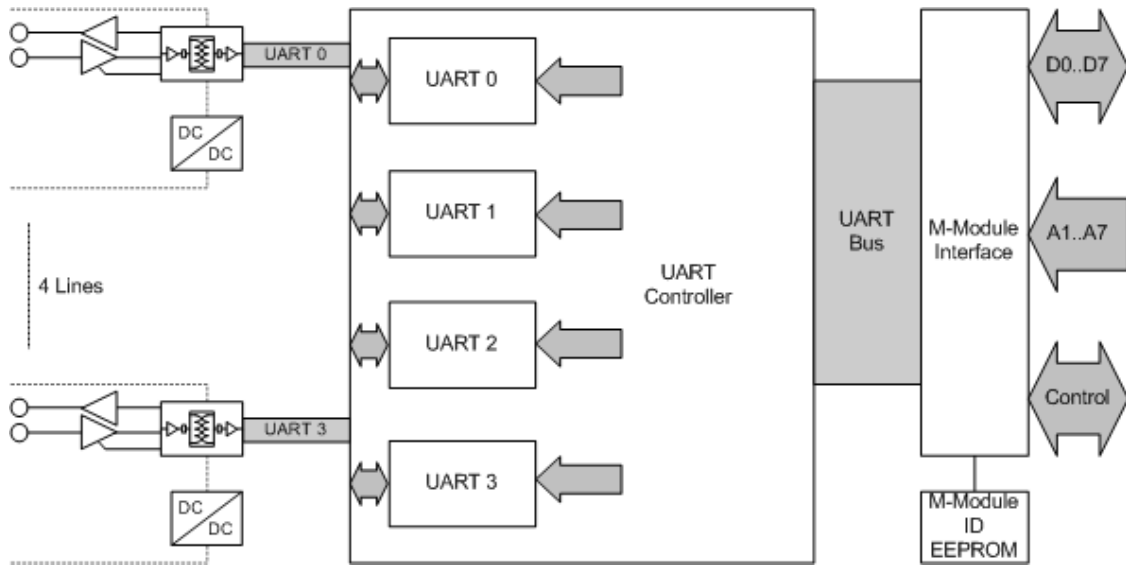
### EMC

- Tested according to EN 55022 (radio disturbance), IEC1000-4-2 (ESD) and IEC1000-4-4 (burst)

### Software Support

- Linux driver
- Windows® driver
- VxWorks® driver
- QNX® driver
- OS-9® SPF driver
- [For more information on supported operating system versions and drivers see Downloads.](#)

### Diagram



## Ordering Information

### Standard M77 Models

- 04M077-00** 4-channels RS232/RS485/RS422, optically isolated UART, 0..+60°C
- 04M077-01** 4-channel RS232/RS485/RS422, optically isolated UART, -40..+85°C screened

### Miscellaneous Accessories

- 05M000-00** M-Module™ cable, 2m, with 25-pin D-Sub plug/housing to pig tail
- 05M000-17** 25 mounting screw sets to fix M-Modules™ on carrier boards

### Software: Linux

This product is designed to work under Linux. See below for potentially available separate software packages from MEN.

- 13M077-90** Linux TTY driver (MEN) for M77, M45N and M69N, source code

### Software: Windows

This product is designed to work under Windows®. See below for potentially available separate software packages from MEN.

- 13M077-70** Windows® native driver (MEN) for M77, M45N and M69N

### Software: VxWorks

This product is designed to work under VxWorks®. For details regarding supported/unsupported board functions please refer to the corresponding software data sheets.

- 13M077-60** VxWorks® driver (MEN) for M77, M45N and M69N, source code

### Software: QNX

This product is designed to work under QNX®. For details regarding supported/unsupported board functions please refer to the corresponding software data sheets.

- 13M077-40** QNX® native driver (MEN) for M77, M45N and M69N

### Software: OS-9

This product is designed to work under OS-9®. For details regarding supported/unsupported board functions please refer to the corresponding software data sheets.

- 13M077-01** OS-9®/68k SCF driver for M77
- 13M077-02** OS-9®/PPC SCF driver for (MEN) M77, M45N and M69N, source code

For operating systems not mentioned here contact MEN sales.

### Documentation

- Compare Chart communication M-Modules™ Download
- 20M000-00** M-Module™ Draft Specification, Rev. 3.0
- 20M077-ER** M77 Errata
- 20M077-00** M77 User Manual

For the most up-to-date ordering information and direct links to other data sheets and downloads, see the **M77 online data sheet** under » [www.men.de](http://www.men.de).

## Contact Information

### Germany

MEN Mikro Elektronik GmbH  
 Neuwieder Straße 3-7  
 90411 Nuremberg  
 Phone +49-911-99 33 5-0  
 Fax +49-911-99 33 5-901  
 E-mail [info@men.de](mailto:info@men.de)  
[www.men.de](http://www.men.de)

### France

MEN Mikro Elektronik SA  
 18, rue René Cassin  
 ZA de la Châtelaïne  
 74240 Gaillard  
 Phone +33 (0) 450-955-312  
 Fax +33 (0) 450-955-211  
 E-mail [info@men-france.fr](mailto:info@men-france.fr)  
[www.men-france.fr](http://www.men-france.fr)

### USA

MEN Micro, Inc.  
 24 North Main Street  
 Ambler, PA 19002  
 Phone (215) 542-9575  
 Fax (215) 542-9577  
 E-mail [sales@menmicro.com](mailto:sales@menmicro.com)  
[www.menmicro.com](http://www.menmicro.com)

*The date of issue stated in this data sheet refers to the Technical Data only. Changes in ordering information given herein do not affect the date of issue.*

*All brand or product names are trademarks or registered trademarks of their respective holders.*

*MEN is not responsible for the results of any actions taken on the basis of information in the publication, nor for any error in or omission from the publication.*

*MEN expressly disclaims all and any liability and responsibility to any person, whether a reader of the publication or not, in respect of anything, and of the consequences of anything, done or omitted to be done by any such person in reliance, whether wholly or partially, on the whole or any part of the contents of the publication.*

*The correct function of MEN products in mission-critical and life-critical applications is limited to the environmental specification given for each product in the technical user manual. The correct function of MEN products under extended environmental conditions is limited to the individual requirement specification and subsequent validation documents for each product for the applicable use case and has to be agreed upon in writing by MEN and the customer. Should the customer purchase or use MEN products for any unintended or unauthorized application, the customer shall indemnify and hold MEN and its officers, employees, subsidiaries, affiliates, and distributors harmless against all claims, costs, damages, and expenses, and reasonable attorney fees arising out of, directly or indirectly, any claim or personal injury or death associated with such unintended or unauthorized use, even if such claim alleges that MEN was negligent regarding the design or manufacture of the part.*

*In no case is MEN liable for the correct function of the technical installation where MEN products are a part of.*

Copyright © 2013 MEN Mikro Elektronik GmbH. All rights reserved.





## Artisan Technology Group is your source for quality new and certified-used/pre-owned equipment

- FAST SHIPPING AND DELIVERY
- TENS OF THOUSANDS OF IN-STOCK ITEMS
- EQUIPMENT DEMOS
- HUNDREDS OF MANUFACTURERS SUPPORTED
- LEASING/MONTHLY RENTALS
- ITAR CERTIFIED SECURE ASSET SOLUTIONS

### SERVICE CENTER REPAIRS

Experienced engineers and technicians on staff at our full-service, in-house repair center

### *InstraView*<sup>SM</sup> REMOTE INSPECTION

Remotely inspect equipment before purchasing with our interactive website at [www.instraview.com](http://www.instraview.com) ↗

### WE BUY USED EQUIPMENT

Sell your excess, underutilized, and idle used equipment. We also offer credit for buy-backs and trade-ins. [www.artisanng.com/WeBuyEquipment](http://www.artisanng.com/WeBuyEquipment) ↗

### LOOKING FOR MORE INFORMATION?

Visit us on the web at [www.artisanng.com](http://www.artisanng.com) ↗ for more information on price quotations, drivers, technical specifications, manuals, and documentation

**Contact us:** (888) 88-SOURCE | [sales@artisanng.com](mailto:sales@artisanng.com) | [www.artisanng.com](http://www.artisanng.com)