



Artisan Technology Group is your source for quality new and certified-used/pre-owned equipment

- FAST SHIPPING AND DELIVERY
- TENS OF THOUSANDS OF IN-STOCK ITEMS
- EQUIPMENT DEMOS
- HUNDREDS OF MANUFACTURERS SUPPORTED
- LEASING/MONTHLY RENTALS
- ITAR CERTIFIED SECURE ASSET SOLUTIONS

SERVICE CENTER REPAIRS

Experienced engineers and technicians on staff at our full-service, in-house repair center

*InstraView*SM REMOTE INSPECTION

Remotely inspect equipment before purchasing with our interactive website at www.instraview.com ↗

WE BUY USED EQUIPMENT

Sell your excess, underutilized, and idle used equipment. We also offer credit for buy-backs and trade-ins. www.artisanng.com/WeBuyEquipment ↗

LOOKING FOR MORE INFORMATION?

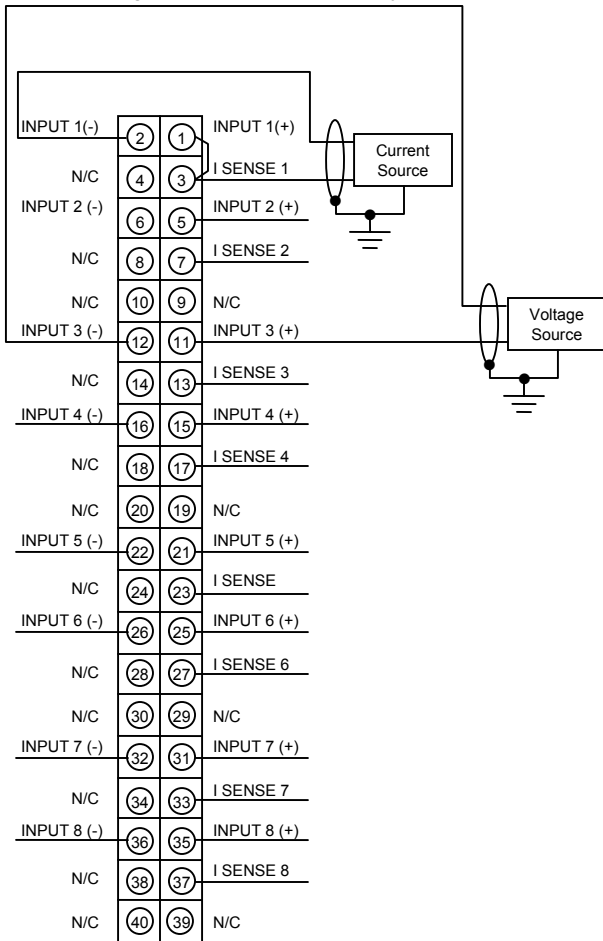
Visit us on the web at www.artisanng.com ↗ for more information on price quotations, drivers, technical specifications, manuals, and documentation

Contact us: (888) 88-SOURCE | sales@artisanng.com | www.artisanng.com

MODICON® QUANTUM™ 140ACI03000 ANALOG INPUT MODULE



Wiring examples
(refer to user guide for important safety information):



General Description

The Quantum 140ACI03000 Analog Input Module provides (8) differential analog input channels. Each channel is individually configurable for a 1 ... 5 VDC or 4 ... 20 mA signal.

This module has broken wire detection in current mode and under voltage in voltage mode.

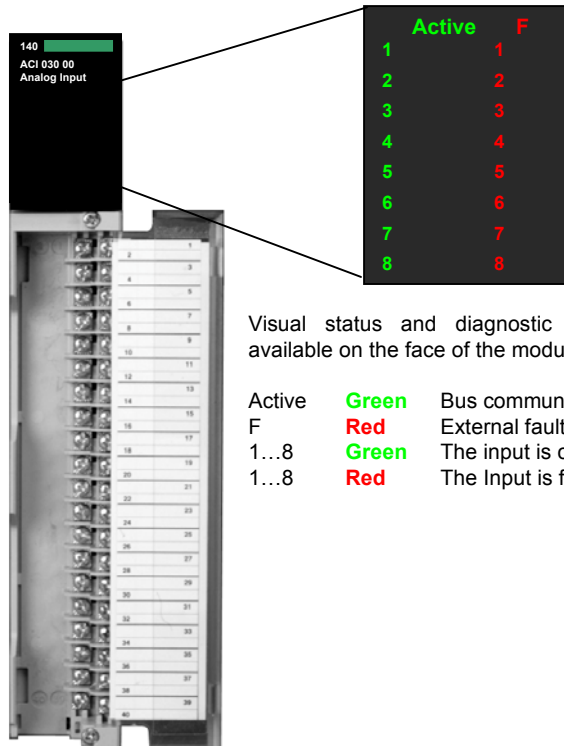
A Quantum removable terminal strip allows for easy maintenance.

Quantum backplanes (ordered separately) come in 2,3,4,6,10, and 16 slot versions. Any Quantum module can be used in any slot. A Quantum power supply is required in each rack. The power supply provides logic power to all modules on the bus.

All Quantum I/O modules are optically isolated from the bus, ensuring safe and trouble-free operation. This isolation also allows modules to be hot swapped.

Optionally, you can insert mechanical keys between the I/O module and the terminal strip to ensure that the field wiring and the module type are properly matched. Key codes are unique for each module type. Key kits are shipped with each I/O module.

As an option, modules can be ordered with a conformal coating applied to protect the internal circuitry from corrosive gases such as Chlorine, Nitric Oxide, Hydrogen Sulfide and Sulfur Dioxide.



Visual status and diagnostic information is available on the face of the module as LED's.

Active **Green** Bus communication is active
 F **Red** External fault detected
 1...8 **Green** The input is configured
 1...8 **Red** The Input is faulted

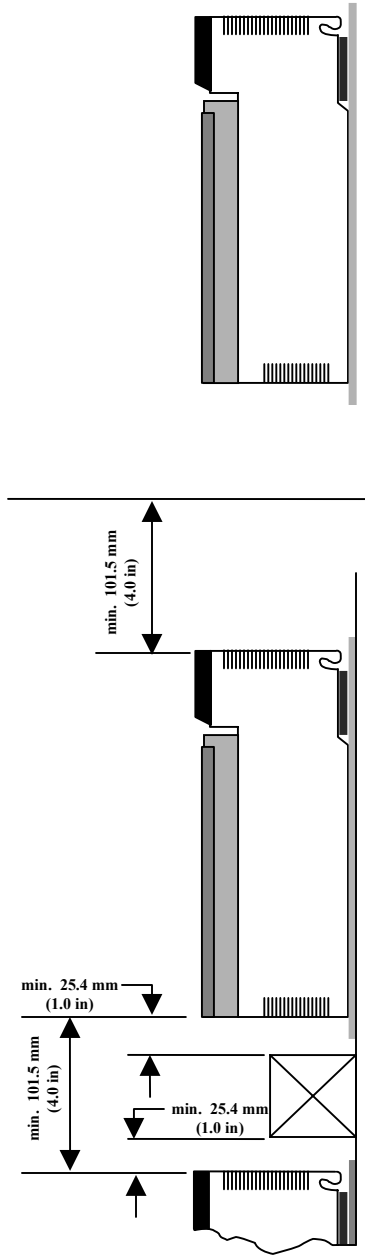
Removable terminal strip is ordered separately.

- 140XTS00200 Standard, Screw Type, 40 points
- 140XTS00100 IP 20 Finger Safe, 40 points

Optional rack accessories are ordered separately.

- 140XCP50000 Dummy module without terminal block
- 140XCP51000 Dummy module with cover





Specifications

Module Type	8 analog inputs, differential	
Bus Current Required	240 mA	
Signal Type	1...5VDC, 4...20mA	
Update Time (in ms)	5 ms for all channels	
Input Surge Tolerance	+/-30VDC, +/-25mA	
Input to Input Isolation	30 VDC maximum	
Input to Bus Isolation	1000 VDC, 3000 Vpp, for 1 minute	
Linearity	+/- 0.04%	
Internal Fuses	2A slow-blow (not user replaceable)	
External Fuses - Supply	500mA fast-blow recommended	
Common Mode Rejection	> -72 dB @ 60 Hz	
Filtering	Single pole low pass with -3 dB cutoff @ 15 Hz, +/- 20%	
Input Type	Differential	
Signal Type	1 to 5 VDC	4 to 20 mA
Input impedance	> 20 MΩ	250 Ω +/- 0.03%
Absolute Maximum Input	50 VDC	25 mA
Error at 25 degrees C	0.05% typical, 0.1% max	
Resolution	12 bits	
Accuracy Drift with Temperature	0.0025% / degree C typical, 0.005% / degree C max	
Power Dissipation	2 W	
Storage Temperature	-25 to +80 degrees C	
Operating Temperature	0 to 60 degrees C	
Relative Humidity	5 ... 95% Non-condensing	
Weight	2.0 lb (1 kg) Maximum	
EMC Immunity	IEC1131 - Surge on aux power supply 500 V	
EMC Emissions	EN50081-2 (limitation A)	
Agency Approvals	UL, CUL, CSA, CE, FM Class 1 Div 2	
Software Support	Concept™, ProWORX®, Unity™	
IO Map	9 Input words	

Schneider Electric USA
 One High Street
 North Andover, MA 01845-2699
 1-800-468-5342
 For detailed technical documentation visit:
www.us.telemecanique.com

This document, and the information contained herein, is to be used exclusively by system integrators and consulting engineers for the sole purpose of specifying Schneider Electric products or for submitting related documentation in support of engineering project proposals. This information is not intended for use in system design, implementation or installation. No responsibility is assumed by Schneider Electric for any consequences arising out of the use of this material.

© 2004 Schneider Electric All Rights Reserved





Artisan Technology Group is your source for quality new and certified-used/pre-owned equipment

- FAST SHIPPING AND DELIVERY
- TENS OF THOUSANDS OF IN-STOCK ITEMS
- EQUIPMENT DEMOS
- HUNDREDS OF MANUFACTURERS SUPPORTED
- LEASING/MONTHLY RENTALS
- ITAR CERTIFIED SECURE ASSET SOLUTIONS

SERVICE CENTER REPAIRS

Experienced engineers and technicians on staff at our full-service, in-house repair center

*InstraView*SM REMOTE INSPECTION

Remotely inspect equipment before purchasing with our interactive website at www.instraview.com ↗

WE BUY USED EQUIPMENT

Sell your excess, underutilized, and idle used equipment. We also offer credit for buy-backs and trade-ins. www.artisanng.com/WeBuyEquipment ↗

LOOKING FOR MORE INFORMATION?

Visit us on the web at www.artisanng.com ↗ for more information on price quotations, drivers, technical specifications, manuals, and documentation

Contact us: (888) 88-SOURCE | sales@artisanng.com | www.artisanng.com