



Artisan Technology Group is your source for quality new and certified-used/pre-owned equipment

- FAST SHIPPING AND DELIVERY
- TENS OF THOUSANDS OF IN-STOCK ITEMS
- EQUIPMENT DEMOS
- HUNDREDS OF MANUFACTURERS SUPPORTED
- LEASING/MONTHLY RENTALS
- ITAR CERTIFIED SECURE ASSET SOLUTIONS

SERVICE CENTER REPAIRS

Experienced engineers and technicians on staff at our full-service, in-house repair center

*InstraView*SM REMOTE INSPECTION

Remotely inspect equipment before purchasing with our interactive website at www.instraview.com ↗

WE BUY USED EQUIPMENT

Sell your excess, underutilized, and idle used equipment. We also offer credit for buy-backs and trade-ins. www.artisanng.com/WeBuyEquipment ↗

LOOKING FOR MORE INFORMATION?

Visit us on the web at www.artisanng.com ↗ for more information on price quotations, drivers, technical specifications, manuals, and documentation

Contact us: (888) 88-SOURCE | sales@artisanng.com | www.artisanng.com

6U PowerPC 750FX CompactPCI® Single Board Computer

Two Gigabit Ethernet Ports, Two PMC Slots, Hot Swappable

A Low Cost, CompactPCI 6U form factor Single Board Computer. It is designed for high performance embedded applications that allow the user to customize the I/O through two PMC slots. The processor is an IBM PowerPC 750FX that operates at 733MHz.

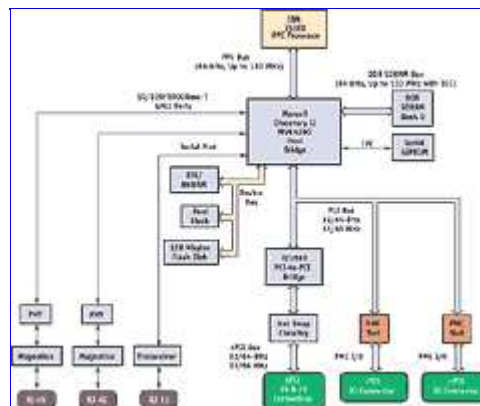
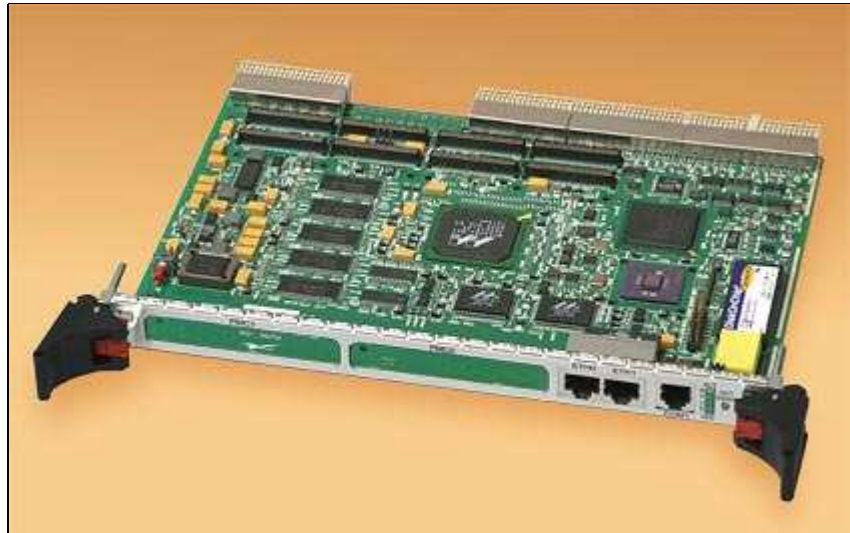
Provides 256 Mbytes of main memory, and occupies a single slot in a standard CompactPCI chassis. It is hot swappable and auto-senses to operate as a CompactPCI system slot or non-system slot board. Alternatively, can be powered via an ATX connector for stand-alone operation.

Provides two Gigabit Ethernet ports and an RS-232 serial port, both accessed at the front panel. A large flash memory bank is available for user applications or data storage.

Feature Set

- IBM 750FX PowerPC processor operates at 733MHz.
- Single slot 6U CompactPCI board (universal).
- Hot Swappable (PICMG 2.1 R1.0).
- Operates as a CompactPCI system slot or non-system slot (auto-senses).
- PCI to PCI Bridge interfaces to 32 bit or 64 bit CompactPCI bus (PICMG 2.0 R3.0) operating at 33 MHz or 66 MHz.
- Watchdog timer.
- Compact PCI connector J4 not populated to avoid conflict with H.110 Computer Telephony bus.
- Power on Self-Test (POST).
- ATX connector for stand-alone operation.
- VxWorks operating system.
- Linux operating system.
- 0-55°C operating range.

Memory and Storage:



Larger View of Block Diagram

- 256 Mbytes of DDR SDRAM with ECC.
- 512 Kbytes of socketed Flash PROM used as a boot device.
- 128 Mbytes of Flash Disk storage. Larger versions available.
- 32 Kbytes of battery backed NVRAM and Real Time Clock.
- Serial EEPROM for board data.

Versatile I/O:

- Two Gigabit Ethernet interfaces to Front Panel RJ-45.
- Two PMC slots, 64-bits, up to 66 MHz (IEEE P1386 / P1386.1).
- RS-232 communication port interfaces to front panel RJ-11 connector.

6U 1 GHz PowerPC 750GX CompactPCI® Single Board Computer

Gigabit Ethernet for PICMG 2.16, Up to 4 GB SDRAM, 2 PMC Slots

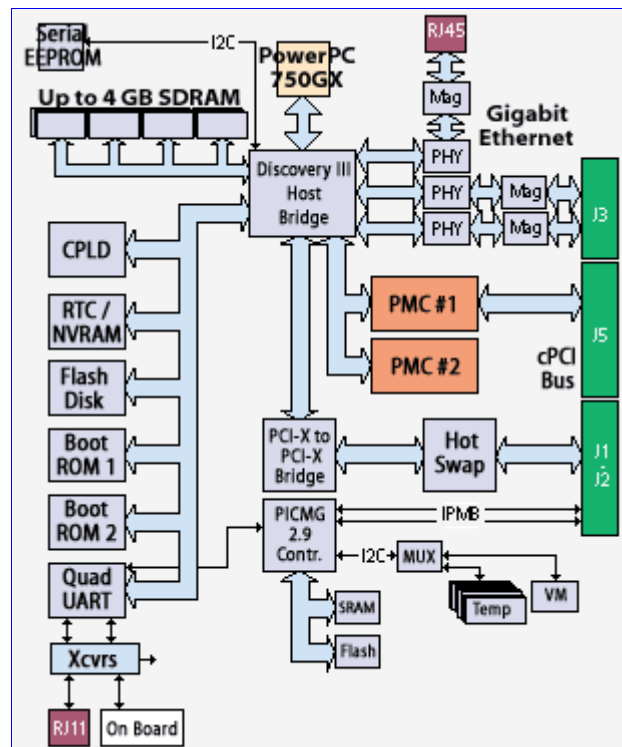


A high-performance CompactPCI Single Board Computer utilizing IBM's powerful 1 GHz 750GX PowerPC processor .

It is designed for embedded applications that require PICMG 2.16 compatible switch fabric back plane support with dual gigabit Ethernet ports. It supports up to 4 Gbytes of on-board SDRAM with ECC.

Occupies a single slot in a standard CompactPCI chassis and is hot swappable. It auto-senses and operates as a CompactPCI system slot or non-system slot, booting from separate EEPROMs, so the system comes up "smart" in either mode.

Provides two Gigabit Ethernet ports, through the standard backplane connector, for interfacing to a switch fabric back plane and one Gigabit Ethernet port to the front panel. An RS-232 serial port is available for console access. An Intelligent Platform Management Controller allows system resource management. Dual PMC slots are provided for additional user I/O or coprocessor add-on(s).



Larger, more detailed block diagram

Processor

- IBM 750GX PowerPC processor operating at speeds up to 1.0GHz.
 - Pin compatible with the PowerPC 750FX RISC Microprocessor
 - 1MB L2 cache, 4-way set associative, operating at core frequency
 - L2 cache locking by way
 - L2 cache may be configured to contain instructions or data only
- 200 MHz front-side bus operation.
- Enhanced 60x bus to support up to 4 outstanding read requests.

Bridge:

- MARVELL MV64460 (Discovery III).
- Five bus architecture:
 - 64-bit interface to CPU
 - 64-bit interface to DDR SDRAM
 - 32-bit interface to devices
 - Two 64-bit PCI-X busses

Gigabit Performance

- Marvell bridge chip allows for new functionality in this revision. Three Gigabit Ethernet ports, running with an RGMII interface, and two 64-bit PCI-X busses running concurrently.
 - Two GigE ports are routed to the backplane connectors, per the PICMG 2.16 specification.
 - One GigE port are presented on the front panel, through an RJ-45.

Memory and Storage:

- Up to 2GBytes of DDR SDRAM (with ECC) using 512Mbit x 8 DDR SDRAM devices.
- Up to 4 Gbytes of DDR SDRAM (with ECC) using 1 Gbit x 8 DDR SDRAM devices.
- Two 512 KByte PLCC32 Boot ROM sockets, jumper selectable, one each for system or non-system operation.
- On-Board RTC/NVRAM 32 KBytes.
- Serial EEPROM for board data.
- Up to 384 Mbytes NAND-based Flash.

Versatile I/O:

- Dual 64-bit PCI/X PMC sites (IEEE P1386 / P1386.1).
- UART interface presented through the front panel, RJ-11 connector.

Features:

- Single slot 6U CompactPCI board (universal).
- Hot Swappable (PICMG 2.1 R1.0).
- Operates as a CompactPCI system slot or non-system slot (auto-senses and boots from appropriate Boot ROM).
- PCI to PCI Bridge interfaces to 32 bit or 64 bit CompactPCI bus (PICMG 2.0 R3.0) operating at 33 MHz through 133 MHz (load dependent).
- PICMG 2.9 Controller.
- IPMB Controller to rear J1 connector.
- Watchdog timer.
- CompactPCI connector J4 not populated to avoid conflict with H.110 Computer Telephony bus.
- Power on Self-Test (POST).
- VxWorks or Linux operating system.
- 0-55°C operating range.

6U PowerPC 440GP CompactPCI® Single Board Computer

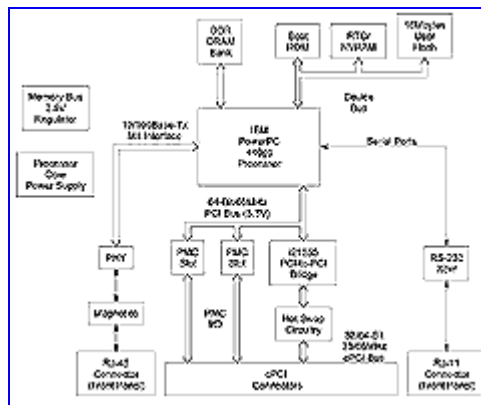
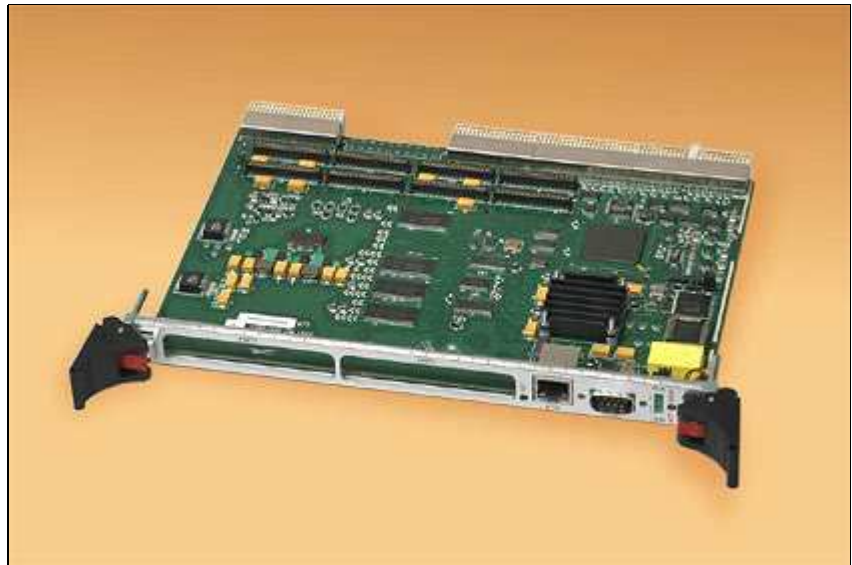
Low Cost, Low Power, Two PMC Slots, Hot Swappable

This 6U CompactPCI form factor Single Board Computer is designed for cost sensitive high performance embedded applications. The processor is an IBM 440GP PowerPC RISC processor with integrated memory, device and I/O controllers. The 440GP operates at 466MHz.

Supports up to 256 Mbytes of soldered down Double Data Rate (DDR) DRAM memory, occupies a single cPCI slot and auto-senses to operate as a System or Non-System slot board.

Feature Set

- IBM 440GP processor operates at 466 MHz.
- 32 Kbytes L1 instruction cache and 32 Kbytes L1 data cache.
- Occupies single cPCI slot (universal).
- PCI to PCI Bridge interfaces to 32/64-bit CompactPCI bus (PICMG 2.0 R3.0), operating at 33 or 66 MHz.
- Hot Swappable (PICMG 2.1 R1.0).
- 440GP's integrated host controller enables interface to a 3.3V I/O 32/64-bit PCI bus operating at 33 or 66 MHz.
- Low power (400MHz CPU power is less than 4 Watts); ideal for telecommunication applications.
- VxWorks or Linux operating system.



Larger View of Block Diagram

Memory and Storage:

- Up to 256Mbytes of DDR DRAM memory with ECC.
- 512 Kbytes of Boot Flash memory.
- 16Mbytes of User Flash.
- NVRAM and Real Time Clock.

Versatile I/O:

- Two PMC slots (IEEE P1386 / P1386.1), with I/O accessible at from cPCI J3 and J5 Connectors.
- 10/100Base-Tx Ethernet interface at front panel RJ-45 connector.
- RS-232 serial port at front panel RJ-11 connector.



Artisan Technology Group is your source for quality new and certified-used/pre-owned equipment

- FAST SHIPPING AND DELIVERY
- TENS OF THOUSANDS OF IN-STOCK ITEMS
- EQUIPMENT DEMOS
- HUNDREDS OF MANUFACTURERS SUPPORTED
- LEASING/MONTHLY RENTALS
- ITAR CERTIFIED SECURE ASSET SOLUTIONS

SERVICE CENTER REPAIRS

Experienced engineers and technicians on staff at our full-service, in-house repair center

*InstraView*SM REMOTE INSPECTION

Remotely inspect equipment before purchasing with our interactive website at www.instraview.com ↗

WE BUY USED EQUIPMENT

Sell your excess, underutilized, and idle used equipment. We also offer credit for buy-backs and trade-ins. www.artisanng.com/WeBuyEquipment ↗

LOOKING FOR MORE INFORMATION?

Visit us on the web at www.artisanng.com ↗ for more information on price quotations, drivers, technical specifications, manuals, and documentation

Contact us: (888) 88-SOURCE | sales@artisanng.com | www.artisanng.com