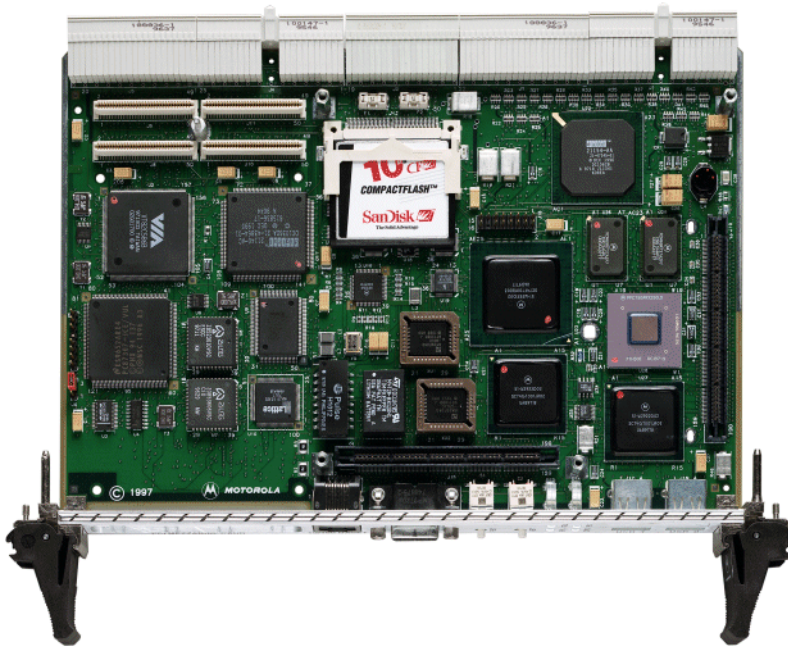


MCP750

CompactPCI Host Slot Processor

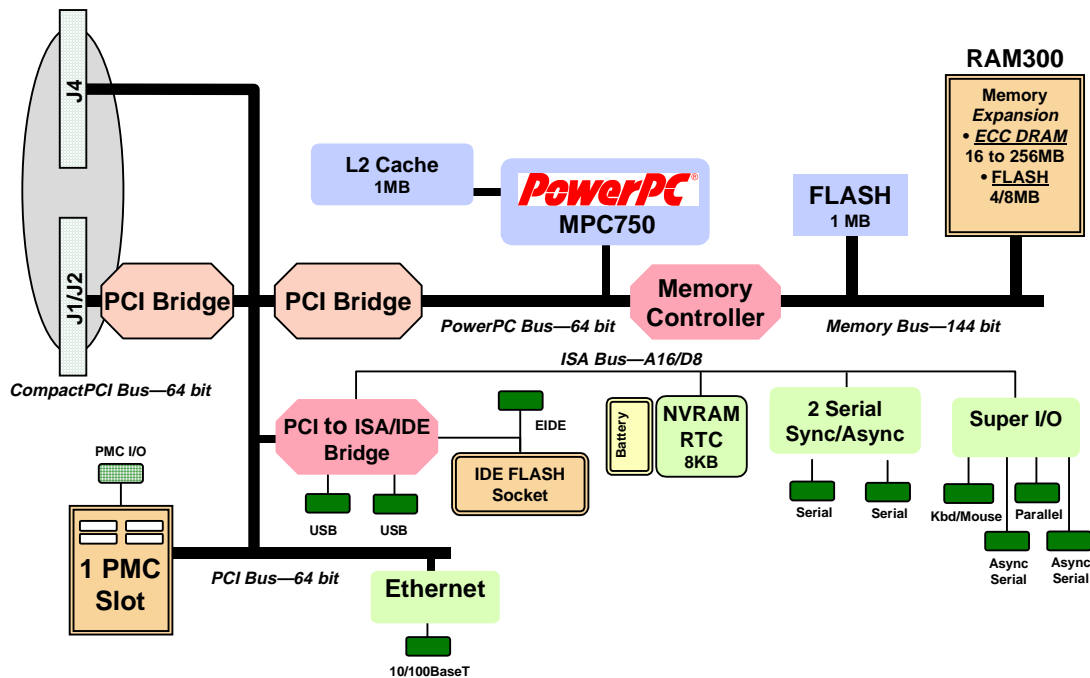


- ◆ PowerPC® 750 32-bit microprocessor
- ◆ 32KB/32KB L1 cache, 1MB L2 cache
- ◆ 16 to 256MB of ECC DRAM
- ◆ Up to 9MB on-board Flash memory
- ◆ CompactFlash™ memory card socket
- ◆ 10/100Mb/s Ethernet interface
- ◆ Single 32/64-bit PMC expansion slot with front panel or backplane I/O
- ◆ Two Universal Serial Bus (USB) ports
- ◆ Two async serial ports, two async/sync serial ports, parallel port, keyboard, and mouse
- ◆ PCI Enhanced IDE (EIDE) controller and floppy disk controller
- ◆ On-board debug monitor with self-test diagnostics
- ◆ 8K x 8 NVRAM and time-of-day clock with replaceable battery backup
- ◆ Four 32-bit timers, three watchdog timers
- ◆ 64-bit CompactPCI® interface
- ◆ Optional secondary CompactPCI interface
- ◆ Single CompactPCI slot, even when fully configured

Presents optimum performance from Motorola's low-power, high-performance microprocessor

The MCP750 series is a family of PowerPC microprocessor-based CompactPCI host-slot processor modules. Benefiting from Motorola's PowerPlus Architecture, the MCP750 series pushes performance and functionality to unprecedented levels.

Utilizing Motorola's low-power, high-performance PowerPC 750 microprocessors with 1MB of secondary cache, the peripheral component interconnect (PCI) bus for the on-board peripherals, processor/memory bus to PCI bus bridge, and a 64-bit bridge to the CompactPCI interface, the MCP750 packs optimum performance and functionality in just a single CompactPCI slot.



MCP750 Details

TMCP700

The TMCP700 transition module provides industry-standard connector access to the IEEE-1284 parallel port, a single mouse/keyboard connector, two USB Series A receptacles, EIDE and floppy connectors, two RJ-45 connectors providing access to the asynchronous serial ports configured as EIA DTE, and two HD-26 connectors providing access to the sync/async serial ports. These serial ports, labeled as Serial 3 and Serial 4 on the face plate of the TMCP700, are individually user configurable as EIA-232, EIA-530, V.35, or X.21 DCE or DTE via the installation of Motorola's serial interface modules (SIMs).

Operating Systems and Kernels

MCP750 supports booting a complete range of real-time operating systems and kernels which may be purchased from the following companies:

| | |
|--------------------------------|----------------|
| Integrated Systems, Inc.: | pSOSystem™ |
| Lynx Real-Time Systems, Inc.: | LynxOS™ |
| Microware Systems Corporation: | OS-9®/OS-9000™ |
| Microtec: | VRTX32™ |
| Wind River Systems, Inc.: | VxWorks® |

Specifications

Processor

Microprocessor: 233/366/466 MHz MPC750

On-chip Cache (I/D): 32K/32K

Memory

MAIN MEMORY: Dynamic RAM

Capacity (60ns FPM): 16, 32, or 64MB on RAM300

Capacity (50ns EDO): 128 or 256MB on RAM300

Single Cycle Accesses: 9 read/4 write

Read Burst Mode (60ns FPM): 9-1-2-1 idle; 3-1-2-1 aligned page hit

Read Burst Mode (50ns EDO): 8-1-1-1 idle; 2-1-1-1 aligned page hit

Write Burst Mode: 4-1-1-1 idle; 3-1-1-1 aligned page hit

Architecture: 128-bit, 2 way interleaved

Parity/ECC: No/Yes

L2 CACHE: 1MB

Cache Bus Clock Frequency: Processor clock divided by 2 (233 MHz) or by 2.5 (366 MHz)

FLASH: On-board programmable

Capacity: 1MB via two 32-pin PLCC/CLCC sockets; 4 or 8MB surface mount

Read Access (4MB port): 68 clocks (32 byte burst)

Read Access (1MB port): 260 clocks (8 byte burst)

Write Access (1MB/4MB): 19 clocks (2 bytes/8 bytes)

NVRAM: 8KB, 4KB available for users

Cell Storage Life: 50 years at 55° C

Cell Capacity Life: 10 years at 100% duty cycle

Removable Battery: Yes

CompactPCI Interface

Address/Data: A32/D32/D64
PCI Bus Clock: 33 MHz
Signaling: 3.3V output, input defined by VIO

Ethernet Interface

Controller: Intel® 21140
Interface Speed: 10/100Mb/s
PCI Local bus DMA: Yes, with PCI burst
Connector: RJ-45 on front panel

Asynchronous Serial Ports

Controller: PC87307
Number of Ports: Two, 16550 compatible
Configuration: EIA-574-DTE
Async Baud Rate, bps max.: 38.4K EIA-232, 115Kbps raw
Connector (COM1): Front panel DB-9, also RJ-45 on TMCP700
Connector (COM2): Routed to J3, RJ-45 on TMCP700

Synchronous Serial Ports

Controller: 85230/8536
Number of Ports: Two
Configuration: TTL to P2 (both ports), SIM on TMCP700
Baud Rate, bps max.: 2.5M sync, 38.4K async
Oscillator Clock Rate (PCLK): 10 MHz/5 MHz
Connector: Routed to J3, HD-26 on TMCP700

Parallel Port (IEEE 1284)

Controller: PC87307
Compatibility: Centronics®
Configuration: 8-bit bidirectional, full IEEE-1284 sup-port
Modes: Master only
Connector: Routed to J5, HD-36 on TMCP700

EIDE Interface

Controller: 82C586
Connector: Routed to J5, one 40-pin header on TMCP700

Counters/Timers

TOD Clock Device: M48T18, 8KB NVRAM
Real-Time Timers/Counters: Four 32-bit programmable
Watchdog Timers: Three, time-out generates reset

USB

Controller: 82C586
Connectors: Two Series A receptacles on front panel, also routed to J5 for optional use of two Series A receptacles on TMCP700

Floppy

Controller: PC87307
Compatible Controllers: DP8473, 765A, N82077
Configuration: 3.5" 2.88MB and 1.44MB; 5.25" 1.2MB
Connector: Routed to J3, 34-pin header on TMCP700

Mouse/Keyboard Interface

Controller: PC87307
Connector: Routed to J3, 6-pin mini DIN on TMCP700

IEEE P1386.1 PCI Mezzanine Card Slot

Address/Data: A32/D32/D64, PMC PN1, PN2, PN3, PN4 connectors
PCI Bus Clock: 33 MHz
Signaling: 5V
Power: +3.3V, +5V, ±12V, 7.5 watts maximum per PMC slot
Module Types: Basic, single-wide, front panel I/O or J3 I/O

CompactFlash Memory Card Interface

Controller: 82C586
Interface: ATA, true IDE mode
CompactFlash Cards (optional): Motorola CFLASH-xxx series
Connector: Standard 50-pin socket

Power Requirements

(not including power required by PMC or SIMs)

| | +3.3V ±5% | +5V ±5% |
|--------------------------|--------------------------|--------------------------|
| MCP750-1242: | 1.9 A typ. 2.5 A max. | 3.8 A typ. 4.4 A max. |
| with TMCP700-001: | 1.9 A typ. 2.5 A max. | 4.0 A typ. 4.8 A max. |

Demonstrated MTBF

(based on a sample of eight boards in accelerated stress environment)

Mean: 190,509 hours
95% Confidence: 107,681 hours

Board Size

Height: 233.4 mm (9.2 in.)
Depth: 60.0 mm (6.3 in.)
Front Panel Height: 261.8 mm (10.3 in.)
Width: 19.8 mm (0.8 in.)
Max. Component Height: 14.8 mm (0.58 in.)

Miscellaneous

Reset and abort switches on front panel; four LEDs for FAIL, CPU, PCI, and CPCI

TMCP700 Transition Module

Board Size

- Height:** 233.4 mm (9.2 in.)
- Depth:** 80.0 mm (3.1 in.)
- Front Panel Height:** 261.8 mm (10.3 in.)
- Width:** 19.8 mm (0.8 in.)

Transition Module I/O Connectors

- Asynchronous Serial Ports:** Two, RJ-45 labeled as COM1 and COM2
- Synchronous Serial Ports:** Two, HD-26 labeled as Serial 3 and Serial 4. User configurable via the installation of SIMs.
Two 60-pin connectors on TMCP700 planar for installation of two serial interface modules.
- Parallel Port:** HD-36 Centronics compatible
- Mouse/Keyboard:** 6-pin circular female mini DIN
- USB:** Two 4-pin Series A receptacles
- Floppy:** 34-pin header
- EIDE:** One 40-pin headers
- PMC I/O:** Two 64-pin headers (32 I/O, 32 ground each)

All Modules

Environmental

| | Operating | Nonoperating |
|-----------------------|--|----------------------------------|
| Temperature: | 0° C to +55° C, forced air cooling exit air | -40° C to +85° C |
| Humidity (NC): | 10% to 80% | 10% to 90% |
| Vibration: | 0.5 G RMS, 20-2000 Hz random | 6.0 Gs RMS, 20-2000 Hz random |

Safety

All printed wiring boards (PWBs) are manufactured with a flammability rating of 94V-0 by UL recognized manufacturers.

Electromagnetic Compatibility (EMC)

Intended for use in systems meeting the following regulations:

U.S.: FCC Part 15, Subpart B, Class A (non-residential)

Canada: ICES-003, Class A (non-residential)

This product was tested in a representative system to the following standards:

CE Mark per European EMC Directive 89/336/EEC with Amendments; Emissions: EN55022 Class B; Immunity: EN55024

Ordering Information

| Part Number | Description |
|---|---|
| MCP750-1222A | 233 MHz MPC750, 16MB DRAM, 5MB Flash |
| MCP750-1232A | 233 MHz MPC750, 32MB DRAM, 5MB Flash |
| MCP750-1242A | 233 MHz MPC750, 64MB DRAM, 5MB Flash |
| MCP750-1252A | 233 MHz MPC750, 128MB DRAM, 5MB Flash |
| MCP750-1262A | 233 MHz MPC750, 256MB DRAM, 5MB Flash |
| MCP750-1332 | 366 MHz MPC750, 32MB DRAM, 9MB Flash |
| MCP750-1342 | 366 MHz MPC750, 64MB DRAM, 9MB Flash |
| MCP750-1352 | 366 MHz MPC750, 128MB DRAM, 9MB Flash |
| MCP750-1362 | 366 MHz MPC750, 256MB DRAM, 9MB Flash |
| MCP750-1462 | 466 MHz MPC750, 256MB DRAM |
| MCP750-1462-RR | 466 MHz MPC750, 256MB DRAM, remote reset |
| MCP750-366-F | 366 MHz MPC750 (memory mezzanine required) |
| High Availability Versions | |
| (High availability versions are used primarily in Motorola Computer Group (MCG) high availability system products.) | |
| MCP750HA-1232 | 233 MHz MPC750, 32MB DRAM |
| MCP750HA-1242 | 233 MHz MPC750, 64MB DRAM |
| MCP750HA-1252 | 233 MHz MPC750, 128MB DRAM |
| MCP750HA-1262 | 233 MHz MPC750, 256MB DRAM |
| MCP750HA-233A | 233 MHz MPC750 (memory mezzanine required) |
| MCP750HA-233 | 233 MHz MPC750 (memory mezzanine required) |
| MCP750HA-366 | 366 MHz MPC750 (memory mezzanine required) |
| MCP750HA-466A | 466 MHz MPC750, (memory mezzanine required) |

Related Products

| | |
|--|--|
| TMCP700-001 | Transition module: Two RJ-45 async serial port connectors, two HD-26 sync/async serial port connectors, one HD-36 parallel port connector, one mouse/keyboard 6-pin mini DIN, two 4-pin USB Series A receptacles |
| SIM232DCE or DTE | EIA-232 DCE or DTE Module |
| SIM530DCE or DTE | EIA-530 DCE or DTE Module |
| SIMV35DCE or DTE | V.35 DCE or DTE Module |
| RAM300-003 | 32MB ECC DRAM Mezzanine, 8MB Flash, non-stackable |
| RAM300-004 | 64MB ECC DRAM Mezzanine, 8MB Flash, non-stackable |
| RAM300-005 | 128MB ECC DRAM Mezzanine, 8MB Flash, non-stackable |
| RAM300-006 | 256MB ECC DRAM Mezzanine, 8MB Flash, non-stackable |
| CFLASH-xxx | CompactFlash memory card (where xxx = number of MB) |
| Documentation | |
| MCP750A/IH | MCP750 Installation and Use |
| MCP750A/PG | MCP750 Programmer's Reference Guide |
| TMCP700A/IH | TMCP700 Transition Module Installation and Use |
| PPCBUGA1/UM and PPCBUGA2/UM | PPC Bug Firmware Package User's Manual, volumes 1 and 2 |
| PPCDIAA/UM | PPC Bug Diagnostics Manual |
| Documentation is available for on-line viewing and ordering at http://www.motorola.com/computer/literature . | |



MOTOROLA

www.motorola.com/computer
1-800-759-1107

Motorola Computer Group
2900 S. Diablo Way
Tempe, AZ 85282

Regional Sales Offices

Canada & Central Pan America

400 Matheson Blvd. West
Mississauga, Ontario
L5R 3M1 Canada
905-507-7200

Eastern Pan America

120 Turnpike Rd, 1st Floor
Southborough, MA 01772
508-357-8260

Western Pan America

1150 Kifer Road, Suite 100
Sunnyvale, CA 94086
408-991-8634

Asia Pacific and Japan

40/F Nat West Tower
Times Square, 1 Matheson St
Causeway Bay, Hong Kong
852-2966-3210

East Mediterranean

6 Kremenetski Street
Tel Aviv 67899 Israel
972-3-568-4388

France

Zone Technopolis - Immeuble
THETA 3, avenue du Canada - BP304
91958 LES ULLIS
Courtaboeuf Cedex, France
+33 (0) 1 64 86 64 24

Germany

Hagenauer Strasse 47
D-65203 Wiesbaden, Germany
+49 (0) 611-3611 604

Benelux

De Waal 26, 5684 PH Best
PO Box 350, 5680 AJ Best
Netherlands
+31 (0) 4993 61250

Nordic

Dalvagen 2
S-169 56 Solna, Sweden
+46 (0) 8 734 8880

United Kingdom

London Road, Old Basing,
Basingstoke, Hampshire
RG24 7JL England
+44 (0) 1256 790555

Motorola and the stylized M logo are registered trademarks and the Intelligence Everywhere logo, Digital DNA and the Digital DNA logo are trademarks of Motorola, Inc. PowerPC and the PowerPC logo are registered trademarks of International Business Machines Corporation and are used by Motorola, Inc. under license from International Business Machines Corporation. Intel is a registered trademark of Intel Corporation. CompactPCI is a registered trademark of PCI Industrial Computer Manufacturers Group. CompactFlash is a trademark of SanDisk Corporation. All other product or service names are the property of their respective owners.

This datasheet identifies products, their specifications, and their characteristics, which may be suitable for certain applications. It does not constitute an offer to sell or a commitment of present or future availability, and should not be relied upon to state the terms and conditions, including warranties and disclaimers thereof, on which Motorola may sell products. A prospective buyer should exercise its own independent judgement to confirm the suitability of the products for particular applications. Motorola reserves the right to make changes, without notice, to any products or information herein which will, in its sole discretion, improve reliability, function, or design. Motorola does not assume any liability arising out of the application or use of any product or circuit described herein; neither does it convey any license under its patent or other intellectual property rights or under others. This disclaimer extends to any prospective buyer, and it includes Motorola's licensee, licensee's transferees, and licensee's customers and users. Availability of some of the products and services described herein may be restricted in some locations.

© Reg. U.S. Pat. & Tm. Off.

Copyright 1997, 2001 Motorola Inc. CP750-D4 7/01