

MVME197LE
Single Board Computer
User's Manual
(MVME197LE/D2)

Notice

While reasonable efforts have been made to assure the accuracy of this document, Motorola, Inc. assumes no liability resulting from any omissions in this document, or from the use of the information obtained therein. Motorola reserves the right to revise this document and to make changes from time to time in the content hereof without obligation of Motorola to notify any person of such revision or changes.

No part of this material may be reproduced or copied in any tangible medium, or stored in a retrieval system, or transmitted in any form, or by any means, radio, electronic, mechanical, photocopying, recording or facsimile, or otherwise, without the prior written permission of Motorola, Inc.

It is possible that this publication may contain reference to, or information about Motorola products (machines and programs), programming, or services that are not announced in your country. Such references or information must not be construed to mean that Motorola intends to announce such Motorola products, programming, or services in your country.

Restricted Rights Legend

If the documentation contained herein is supplied, directly or indirectly, to the U.S. Government, the following notice shall apply unless otherwise agreed to in writing by Motorola, Inc.

Use, duplication, or disclosure by the Government is subject to restrictions as set forth in subparagraph (c)(1)(ii) of the Rights in Technical Data and Computer Software clause at DFARS 252.227-7013.

Motorola, Inc.
Computer Group
2900 South Diablo Way
Tempe, Arizona 85282-9602

Preface

This document provides general information, hardware preparation and installation instructions, operating instructions, and a functional description for the MVME197LE Single Board Computer.

This document is intended for anyone who wants to design OEM systems, supply additional capability to an existing compatible system, or work in a lab environment for experimental purposes.

A basic knowledge of computers and digital logic is assumed.

To use this document, you may wish to become familiar with the publications listed in the *Related Documentation* section found in the following pages.

Document Terminology

Throughout this document, a convention has been maintained whereby data and address parameters are preceded by a character which specifies the numeric format, as follows:

\$	dollar	specifies a hexadecimal number
%	percent	specifies a binary number
&	ampersand	specifies a decimal number

For example, “12” is the decimal number twelve, and “\$12” is the decimal number eighteen. Unless otherwise specified, all address references are in hexadecimal throughout this document.

An asterisk (*) following the signal name for signals which are level significant denotes that the signal is true or valid when the signal is low.

An asterisk (*) following the signal name for signals which are edge significant denotes that the actions initiated by that signal occur on high to low transition.

In this document, *assertion* and *negation* are used to specify forcing a signal to a particular state. In particular, *assertion* and *assert* refer to a signal that is active or true; *negation* and *negate* indicate a signal that is inactive or false. These terms are used independently of the voltage level (high or low) that they represent.

Data and address sizes are defined as follows:

- ❑ A *byte* is eight bits, numbered 0 through 7, with bit 0 being the least significant.
- ❑ A two-byte is 16 bits, numbered 0 through 15, with bit 0 being the least significant. For the MVME197 series and other RISC modules, this is called a *half-word*.
- ❑ A four-byte is 32 bits, numbered 0 through 31, with bit 0 being the least significant. For the MVME197 series and other RISC modules, this is called a *word*.
- ❑ An eight-byte is 64 bits, numbered 0 through 63, with bit 0 being the least significant. For the MVME197 series and other RISC modules, this is called a *double-word*.

Throughout this document, it is assumed that the MPU on the MVME197 module series is always programmed with *big-endian byte ordering*, as shown below. Any attempt to use *small-endian byte ordering* will immediately render the MVME197Bug debugger unusable.

BIT						BIT	
63	56 55	48 47	40 39	32			
ADRO	ADR1	ADR2	ADR3				
31		24 23	16 15	08 07	00		
ADR4	ADR5	ADR6	ADR7				

The terms control bit and status bit are used extensively in this document. The term control bit is used to describe a bit in a register that can be set and cleared under software control. The term true is used to indicate that a bit is in the state that enables the function it controls. The term false is used to indicate that the bit is in the state that disables the function it controls. In all tables, the terms 0 and 1 are used to describe the actual value that should be written to the bit, or the value that it yields when read. The term status bit is used to describe a bit in a register that reflects a specific condition. The status bit can be read by software to determine operational or exception conditions.

Related Documentation

The following publications are applicable to the MVME197LE module and may provide additional helpful information. If not shipped with this product, they may be purchased by contacting your Motorola sales office.

Document Title	Motorola Publication Number
MVME197LE, MVME197DP, and MVME197SP Single Board Computers Programmer's Reference Guide	MVME197PG
MVME197BUG 197Bug Debugging Package User's Manual	MVME197BUG
MVME197BUG 197Bug Diagnostic Firmware User's Manual	MVME197DIAG
MVME712M Transition Module and P2 Adapter Board User's Manual	MVME712M
MVME712-12, MVME712-13, MVME712A, MVME712AM, and MVME712B Transition Module and LCP2 Adapter Board User's Manual	MVME712A
MC88110 Second Generation RISC Microprocessor User's Manual	MC88110UM
MC68040 Microprocessor User's Manual	MC68040UM

Note

Although not shown in the above list, each Motorola Computer Group manual publication number is suffixed with characters which represent the revision level of the document, such as "/D2" (the second revision of a manual); a supplement bears the same number as the manual but has a suffix such as "/A1" (the first supplement to the manual).

To further assist your development effort, Motorola has collected user's manuals for each of the peripheral controllers used on the MVME197 module series and other boards from the suppliers. This bundle includes manuals for the following:

68-1X7DS for use with the MVME197 series of Single Board Computers.

NCR 53C710 SCSI Controller Data Manual and Programmer's Guide

Intel i82596 Ethernet Controller User's Manual

Cirrus Logic CD2401 Serial Controller User's Manual

SGS-Thompson MK48T08 NVRAM/TOD Clock Data Sheet

The following non-Motorola publications may also be of interest and may be obtained from the sources indicated. The VMEbus Specification is contained in ANSI/IEEE Standard 1014-1987.

ANSI/IEEE Std 1014-1987
Versatile Backplane Bus: VMEbus

The Institute of Electrical and Electronics
Engineers, Incorporated
Publication and Sales Department
345 East 47th Street
New York, New York 10017-2633
Telephone: 1-800-678-4333

ANSI Small Computer System Interface-2
(SCSI-2), Draft Document X3.131-198X,
Revision 10c

Global Engineering Documents
P.O. Box 19539
Irvine, California 92713-9539
Telephone (714) 979-8135

The computer programs stored in the Read Only Memory of this device contain material copyrighted by Motorola Inc., first published 1991, and may be used only under license such as the License for Computer Programs (Article 14) contained in Motorola's Terms and Conditions of Sale, Rev. 1/79.

Motorola® and the Motorola symbol are registered trademarks of Motorola, Inc. Delta Series, M88000, SYSTEM V/88, VMEmodule, VMEsystem, and 197bug are trademarks of Motorola, Inc.

Timekeeper and Zeropower are trademarks of Thompson Components.

All other products mentioned in this document are trademarks or registered trademarks of their respective holders

© Copyright Motorola 1993

All Rights Reserved

Printed in the United States of America

December 1993



This equipment generates, uses, and can radiate radio frequency energy and if not installed and used in accordance with the documentation for this product, may cause interference to radio communications. It has been tested and found to comply with the limits for a Class A Computing Device pursuant to Subpart J of Part 15 of FCC rules, which are designed to provide reasonable protection against such interference when operated in a commercial environment. Operation of this equipment in a residential area is likely to cause interference in which case the user, at the user's own expense, will be required to take whatever measures necessary to correct the interference.

SAFETY SUMMARY

SAFETY DEPENDS ON YOU

The following general safety precautions must be observed during all phases of operation, service, and repair of this equipment. Failure to comply with these precautions or with specific warnings elsewhere in this manual violates safety standards of design, manufacture, and intended use of the equipment. Motorola Inc. assumes no liability for the customer's failure to comply with these requirements. The safety precautions listed below represent warnings of certain dangers of which we are aware. You, as the user of the product, should follow these warnings and all other safety precautions necessary for the safe operation of the equipment in your operating environment.

GROUND THE INSTRUMENT.

To minimize shock hazard, the equipment chassis and enclosure must be connected to an electrical ground. The equipment is supplied with a three-conductor ac power cable. The power cable must either be plugged into an approved three-contact electrical outlet or used with a three-contact to two-contact adapter, with the grounding wire (green) firmly connected to an electrical ground (safety ground) at the power outlet. The power jack and mating plug of the power cable meet international Electrotechnical Commission (IEC) safety standards.

DO NOT OPERATE IN AN EXPLOSIVE ATMOSPHERE.

Do not operate the equipment in the presence of flammable gases or fumes. Operation of any electrical equipment in such an environment constitutes a definite safety hazard.

KEEP AWAY FROM LIVE CIRCUITS.

Operating personnel must not remove equipment covers. Only Factory Authorized Service Personnel or other qualified maintenance personnel may remove equipment covers for internal subassembly or component replacement or any internal adjustment. Do not replace components with power cable connected. Under certain conditions, dangerous voltages may exist even with the power cable removed. To avoid injuries, always disconnect power and discharge circuits before touching them.

DO NOT SERVICE OR ADJUST ALONE.

Do not attempt internal service or adjustment unless another person, capable of rendering first aid and resuscitation, is present.

USE CAUTION WHEN EXPOSING OR HANDLING THE CRT.

Breakage of the Cathode-Ray Tube (CRT) causes a high-velocity scattering of glass fragments (implosion). To prevent CRT implosion, avoid rough handling or jarring of the equipment. Handling of the CRT should be done only by qualified maintenance personnel using approved safety mask and gloves.

DO NOT SUBSTITUTE PARTS OR MODIFY EQUIPMENT.

Because of the danger of introducing additional hazards, do not install substitute parts or perform any unauthorized modification of the equipment. Contact your local Motorola representative for service and repair to ensure that safety features are maintained.

DANGEROUS PROCEDURE WARNINGS.

Warnings, such as the example below, precede potentially dangerous procedures throughout this manual. Instructions contained in the warnings must be followed. You should also employ all other safety precautions which you deem necessary for the operation of the equipment in your operating environment.



Dangerous voltages, capable of causing death, are present in this equipment. Use extreme caution when handling, testing, and adjusting.

Contents

CHAPTER 1 GENERAL INFORMATION

Introduction	1-1
General Description	1-1
Features.....	1-2
Specifications	1-3
Cooling Requirements.....	1-4
FCC Compliance	1-5
Equipment Required.....	1-5
Support Information.....	1-6

CHAPTER 2 HARDWARE PREPARATION AND INSTALLATION

Introduction	2-1
Unpacking Instructions.....	2-1
Hardware Preparation.....	2-1
Configuration Switches.....	2-3
Configuration Switch S1: General Information.....	2-3
Configuration Switch S1: General Purpose Functions (S1-1 to S1-8).....	2-4
Configuration Switch S1: System Controller Enable Function (S1-9).....	2-4
Configuration Switch S6: Serial Port 4 Clock Select (S6-1, S6-2)	2-5
Connectors	2-5
Installation Instructions.....	2-5
MVME197LE Module Installation.....	2-6
System Considerations.....	2-7

CHAPTER 3 OPERATING INSTRUCTIONS

Introduction	3-1
Controls and Indicators.....	3-1
ABORT Switch S2.....	3-1
RESET Switch S3	3-1
Front Panel Indicators (DS1-DS6).....	3-2
Memory Maps	3-2

Processor Bus Memory Map	3-2
Detailed I/O Memory Maps.....	3-5
BBRAM, TOD Clock Memory Map	3-19
VMEbus Memory Map	3-20
VMEbus Accesses to the Local Peripheral Bus	3-20
VMEbus Short I/O Memory Map.....	3-20
Software Initialization.....	3-21
Multi-MPU Programming Considerations	3-21
Local Reset Operation.....	3-21

CHAPTER 4 FUNCTIONAL DESCRIPTION

Introduction.....	4-1
MVME197LE Functional Description.....	4-1
Data Bus Structure.....	4-1
MC88110 MPU	4-1
BOOT ROM	4-3
FLASH Memory.....	4-3
Onboard DRAM.....	4-3
Battery Backup RAM and Clock	4-3
VMEbus Interface	4-4
I/O Interfaces.....	4-4
Serial Port Interface.....	4-4
Printer Interface	4-5
Ethernet Interface	4-5
SCSI Interface	4-6
SCSI Termination	4-6
Peripheral Resources.....	4-6
Programmable Tick Timers	4-6
Watchdog Timer	4-7
Software-Programmable Hardware Interrupts	4-7
Processor Bus Timeout	4-7
Local Peripheral Bus Timeout	4-7
Interrupt Sources	4-7

APPENDIX A EIA-232-D INTERCONNECTIONS.....A-1

List of Figures

Figure 2-1. MVME197LE Switches, Connectors, and LED Indicators	
Location Diagram.....	2-2
Figure 4-1. MVME197LE Block Diagram.....	4-2
Figure A-1. Middle-of-the-Road EIA-232-D Configuration.....	A-5
Figure A-2. Minimum EIA-232-D Connection.....	A-6

List of Tables

Table 1-1. MVME197LE Specifications.....	1-3
Table 3-1. Processor Bus Memory Map.....	3-3
Table 3-2. Local Devices Memory Map.....	3-4
Table 3-3. BusSwitch Register Memory Map	3-6
Table 3-4. ECDM CSR Register Memory Map	3-7
Table 3-5. DCAM (I ² C) Register Memory Map.....	3-8
Table 3-6. VMEchip2 Memory Map.....	3-9
Table 3-7. PCCchip2 Memory Map.....	3-13
Table 3-8. Printer Memory Map	3-14
Table 3-9. Cirrus Logic CD2401 Serial Port Memory Map	3-15
Table 3-10. 82596CA Ethernet LAN Memory Map.....	3-16
Table 3-11. 53C710 SCSI Memory Map	3-17
Table 3-12. MK48T08 BBRAM, TOD Clock Memory Map	3-17
Table 3-13. BBRAM Configuration Area Memory Map	3-18
Table 3-14. TOD Clock Memory Map.....	3-18
Table A-1. EIA-232-D Interconnections.....	A-2

Introduction

This user's manual provides general information, preparation for use and installation instructions, operating instructions, and a functional description for the MVME197LE version of the MVME197 series of single board computers.

General Description

The MVME197LE module is a double-high VME module based on the MC88110 RISC microprocessor. The MVME197LE has 32/64MB of DRAM, 1MB of FLASH memory, 8KB of static RAM (with battery backup), a time of day clock (with battery backup), an Ethernet transceiver interface, four serial ports with EIA-232-D interface, six tick timers, a watchdog timer, 128/256KB of BOOT ROM, a SCSI bus interface with DMA (Direct Memory Access), a Centronics printer port, an A16/A24/A32/D8/D16/D32 VMEbus master/slave interface, and a VMEbus system controller.

Input/Output (I/O) signals are routed through the MVME197LE's backplane connector P2. A P2 Adapter Board or LCP2 Adapter board routes the signals and grounds from connector P2 to an MVME712 series transition module. The MVME197LE supports the MVME712M, MVME712A, MVME712AM, and MVME712B transition boards (referred to here as the MVME712X, unless separately specified). The MVME197LE also supports the MVME712-12 and MVME712-13 (referred to as the MVME712-XX, unless separately specified). These transition boards provide configuration headers, serial port drivers, and industry standard connectors for the I/O devices.

The MVME197LE modules have eight ASICs (Application-Specific Integrated Circuits) described in the following order: BusSwitch, DCAM, ECDM, PCC2, and VME2.

The BusSwitch ASIC provides an interface between the processor bus (MC88110 bus) and the local peripheral bus (MC68040 compatible bus). Refer to the MVME197LE block diagram (Figure 1-1). It provides bus arbitration for the MC88110 bus and serves as a seven level interrupt handler. It has programmable map decoders for both busses, as well as write post buffers on each, two tick timers, and four 32-bit general purpose registers.

Note For the MVME197 series, the term **Local Bus**, as used in other MVME1xx Single Board Computer series, is referred to as the **Local Peripheral Bus**.

The DCAM (DRAM Controller and Address Multiplexer) ASIC provides the address multiplexers and RAS/CAS/WRITE control for the DRAM as well as data control for the ECDM.

The ECDM (Error Correction and Data Multiplexer) ASIC multiplexes between four data paths on the DRAM array. Since the device handles 16 bits, four such devices are required on the MVME197LE to accommodate the 64-bit data bus of the MC88110 microprocessor. Single-bit error correction and double-bit detection is performed in the ECDM.

The PCCchip2 (Peripheral Channel Controller) ASIC provides two tick timers and the interface to the LAN chip, the SCSI chip, the serial port chip, the printer port, and the BBRAM (Battery Backup RAM).

The VMEchip2 ASIC provides a VMEbus interface. The VMEchip2 includes two tick timers, a watchdog timer, programmable map decoders for the master and slave interfaces, and a VMEbus to/from the local peripheral bus DMA controller, a VMEbus to/from the local peripheral bus non-DMA programmed access interface, a VMEbus interrupter, a VMEbus system controller, a VMEbus interrupt handler, and a VMEbus requester.

Local peripheral bus to VMEbus transfers can be D8, D16, or D32. VMEchip2 DMA transfers to the VMEbus, however, can be 64 bits wide as Block Transfer (BLT).

Features

These are some of the major features of the MVME197LE single board computer:

- MC88110 RISC Microprocessor
- 32 or 64 megabytes of 64-bit Dynamic Random Access Memory (DRAM) with error correction
- 1 megabyte of FLASH memory
- Six status LEDs (FAIL, RUN, SCON, LAN, SCSI, and VME)
- 8 kilobytes of Static Random Access Memory (SRAM) and Time of Day (TOD) clock with Battery Backup RAM (BBRAM)
- Two push-button switches (ABORT and RESET)

- ❑ 128 or 256 kilobytes of BOOT ROM
- ❑ Six 32-bit tick timers for periodic interrupts
- ❑ Watchdog timer
- ❑ Eight software interrupts
- ❑ I/O
 - SCSI Bus interface with Direct Memory Access (DMA)
 - Four serial ports with EIA-232-D buffers
 - Centronics printer port
 - Ethernet transceiver interface
- ❑ VMEbus interface
 - VMEbus system controller functions
 - VMEbus interface to local peripheral bus (A24/A32, D8/D16/D32 BLT (D8/D16/D32/D64))(BLT = Block Transfer)
 - Local peripheral bus to VMEbus interface (A24/A32, D8/D16/D32 BLT (D16/D32/D64))
 - VMEbus interrupter
 - VMEbus interrupt handler
 - Global CSR for inter-processor communications
 - DMA for fast local memory - VMEbus transfers (A16/A24/A32, D16/D32 BLT (D16/D32/D64))

Specifications

The specifications for the MVME197LE are listed in Table 1-1.

Table 1-1. MVME197LE Specifications

Characteristics	Specifications
Power requirements	+5 Vdc ($\pm 2.5\%$), 4 A (typical), 5 A (maximum) +12 Vdc ($\pm 2.5\%$), 100 mA (maximum) -12 Vdc ($\pm 2.5\%$), 100 mA (maximum)
Operating temperature (refer to the <i>Cooling Requirements</i> section)	0° to 55° C at point of entry of forced air (approximately 490 LFM)
Storage temperature	-40° to 85° C
Relative humidity	5% to 90% (non-condensing)

Table 1-1. MVME197LE Specifications (Continued)

Characteristics	Specifications
Physical dimensions:	Double-high VMEboard
PC board	
Height	9.187 inches (233.35 mm)
Width	6.299 inches (160.00 mm)
Thickness	0.063 inch (1.60 mm)
PC board with connectors and front panel	
Height	10.309 inches (261.85 mm)
Width	7.4 inches (188.00 mm)
Thickness	0.80 inch (20.32 mm)
Board connectors:	
P1 connector	A 96-pin connector which provides the interface to the VMEbus signals.
P2 connector	A 96-pin connector which provides the interface to the extended VMEbus signals and other I/O signals.
J1 connector	A 20-pin connector which provides the interface to the remote reset, abort, the LEDs, and three general purpose I/O signals.
J2 connector	A 249-pin connector which provides the interface to the MC88110 address, data, and control signals to and from the mezzanine expansion.

Cooling Requirements

The Motorola MVME197LE VME module is specified, designed, and tested to operate reliably with an incoming air temperature range from 0° to 55° C (32° to 131° F) with forced air cooling at a velocity typically achievable by using a 100 CFM axial fan. Temperature qualification is performed in a standard Motorola VMEsystem 3000 chassis. Twenty-five watt load boards are inserted in two card slots, one on each side, adjacent to the board under test, to simulate a high power density system configuration. An assembly of three axial fans, rated at 100 CFM per fan, is placed directly under the VME card cage. The incoming air temperature is measured between the fan assembly and the card cage, where the incoming airstream first encounters the module under test. Test software is executed as the module is subjected to ambient temperature variations. Case temperatures of critical, high power density integrated circuits are monitored to ensure component vendors specifications are not exceeded.

While the exact amount of airflow required for cooling depends on the ambient air temperature and the type, number, and location of boards and other heat sources, adequate cooling can usually be achieved with 10 CFM and 490 LFM flowing over the module. Less airflow is required to cool the module in environments having lower maximum ambients. Under more favorable thermal conditions, it may be possible to operate the module reliably at higher than 55° C with increased airflow. It is important to note that there are several factors, in addition to the rated CFM of the air mover, which determine the actual volume and speed of air flowing over a module.

FCC Compliance

The MVME197LE was tested in an FCC-compliant chassis, and meets the requirements for Class A equipment. FCC compliance was achieved under the following conditions:

1. Shielded cables on all external I/O ports.
2. Cable shields are connected to earth ground via metal shell connectors bonded to a conductive module front panel.
3. Conductive chassis rails connected to earth ground. This provides the path for connecting shields to earth ground.
4. All chassis and MVME197LE front panel attachment screws are properly tightened.

For minimum RF emissions, it is essential that the conditions above be implemented; failure to do so could compromise the FCC compliance of the equipment containing the module.

Equipment Required

The following equipment is required to make a complete system using the MVME197LE:

System console terminal

Disk drives and controllers

MVME712 series transition modules (MVME712-12, MVME712-13, MVME712A, MVME712AM, MVME712B, or MVME712M); P2 or LCP2

Adapter Boards

Operating system

The MVME197Bug debug monitor firmware (197Bug) is provided in the FLASH memory on the MVME197LE module. It provides over 50 debug, up/down line load, and disk bootstrap load commands, as well as a set of onboard diagnostics and a one-line assembler/disassembler. 197Bug includes

a user interface which accepts commands from the system console terminal. 197Bug can also operate in a System Mode, which includes choices from a service menu. Refer to the *MVME197BUG 197Bug Debugging Package User's Manual* for more details.

The MVME712 series transition modules provide an interface between the MVME197LE module and peripheral devices. They connect the MVME197LE to EIA-232-D serial devices, Centronics-compatible parallel devices, SCSI devices, and Ethernet devices. A P2 Adapter Board or LCP2 Adapter Board and cable is required with the MVME712 series transition modules. Refer to the *MVME712-12, MVME712-13, MVME712A, MVME712AM, and MVME712B Transition Modules and LCP2 Adapter Board User's Manual* or the *MVME712M Transition Module and P2 Adapter Board User's Manual* for more details.

Software available for the MVME197LE includes SYSTEM V/88 and real-time operating systems, programming languages, and other tools and applications. Contact your local Motorola sales office for more details.

Support Information

Detailed support information such as connector signal descriptions, the module parts list, and the schematic diagram for the MVME197LE is contained in the *SIMVME197LE Single Board Computer Support Information* manual.

This manual may be obtained free of charge by contacting your local Motorola sales office.

HARDWARE PREPARATION AND INSTALLATION

2

Introduction

This chapter provides unpacking instructions, hardware preparation, and installation instructions for the MVME197LE VME module. The MVME712X transition module hardware preparation is provided in separate manuals, refer to the *Related Documentation* section found in the preface part of this User's Manual.

Unpacking Instructions

Note If shipping carton is damaged upon receipt, request that the carrier's agent be present during unpacking and inspection of equipment.

Carefully unpack the equipment from the shipping carton. Refer to the packing list and verify that all items are present. Save the shipping carton and packing materials for storing or reshipping of the equipment.

Caution Avoid touching areas of integrated circuits. Static discharge can damage these components.

Inspect the equipment for any shipping damage. If no damage exists, then the module can be prepared for operation according to the following sections of this chapter.

Hardware Preparation

To select the desired configuration and ensure proper operation of the MVME197LE module, certain modifications may be necessary before installation. These modifications are made through switch settings as described in the following sections. Many other modifications are done by setting bits in control registers after the MVME197LE has been installed in a system. (The MVME197LE registers are described in the *MVME197LE, MVME197DP, and MVME197SP Single Board Computers Programmer's Reference Guide* as listed in the *Related Documentation* section of this manual).

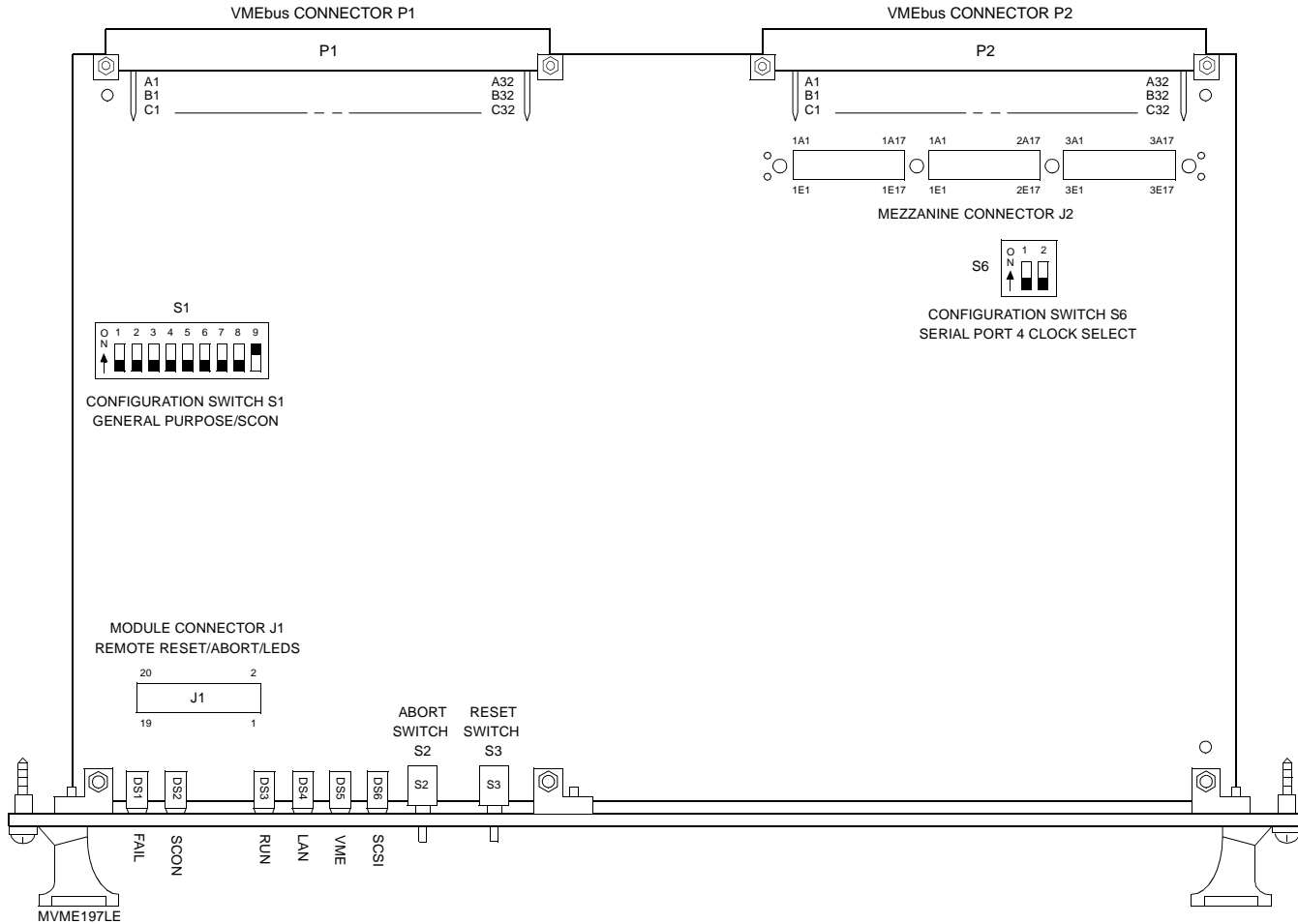


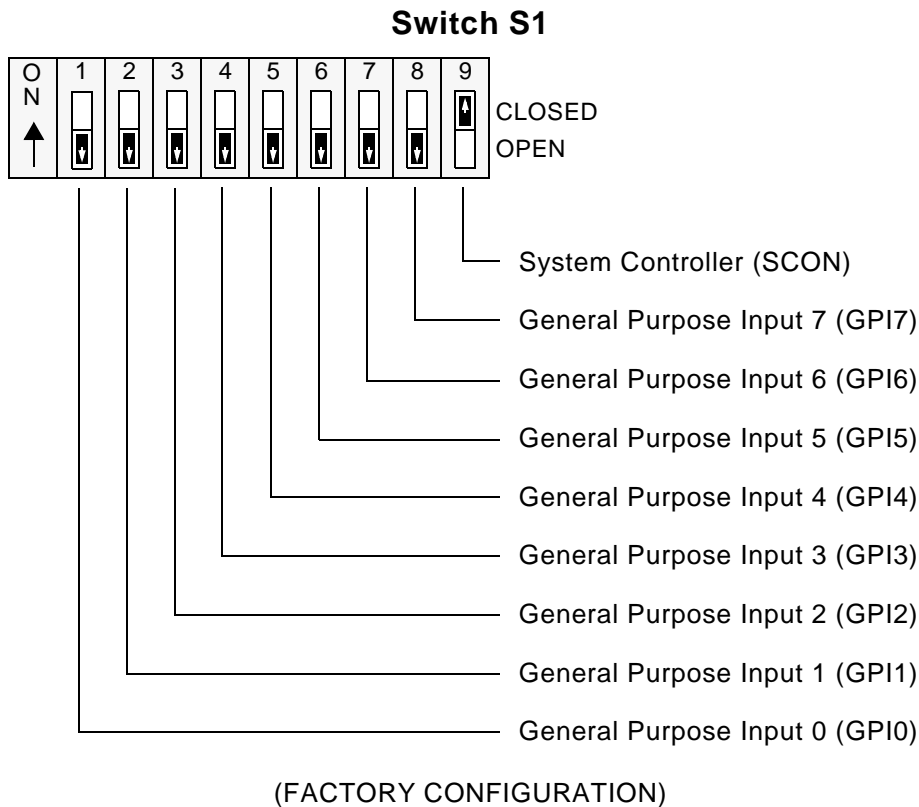
Figure 2-1. MVME197LE Switches, Connectors, and LED Indicators Location Diagram

Configuration Switches

The location of the switches, connectors, and LED indicators on the MVME197LE is illustrated in Figure 2-1. The MVME197LE has been factory tested and is shipped with factory switch settings that are described in the following sections. The MVME197LE operates with its required and factory-installed Debug Monitor, MVME197Bug (197Bug), with these factory switch setting.

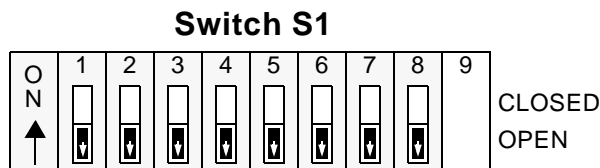
Configuration Switch S1: General Information

Switch S1 is a bank of nine two-way switch segments. The following illustration shows the factory configuration of switch S1. The bit values are read as a one when the switch is **OFF** (open), and as a zero when the switch is **ON** (closed). The default value for switch S1 is shown below.



Configuration Switch S1: General Purpose Functions (S1-1 to S1-8)

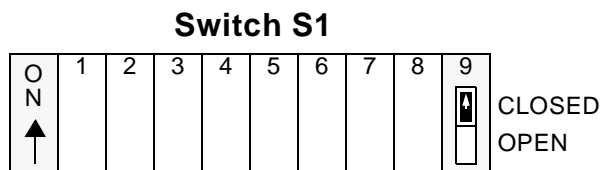
The eight General Purpose Input lines (GPIO-GPI7) on the MVME197LE may be configured with selectable switch segments S1-1 through S1-8. These switches can be read as a register (at \$FFF40088) in the VMEchip2 LCSR. Refer to the *VMEchip2* chapter in the *MVME197LE, MVME197DP, and MVME197SP Single Board Computers Programmer's Reference Guide* for the status of lines GPIO through GPI7. Factory configuration is with the general purposes input lines disabled (open).



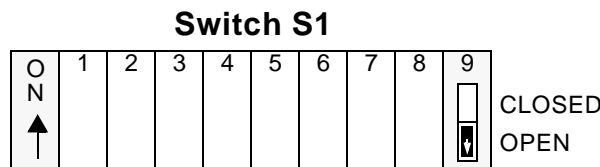
S1-1 to S1-8: **OFF** -- All Ones (FACTORY CONFIGURATION)

Configuration Switch S1: System Controller Enable Function (S1-9)

The MVME197LE can be the system controller. The system controller function is enabled or disabled by configuring selectable switch segment S1-9. When the MVME197LE is the system controller, the SCON LED is turned **ON**. The VMEchip2 may be configured as a system controller as illustrated below. Factory configuration is with the system controller switch enabled (closed).



S1-9: **ON** -- MVME197 **IS** the System Controller
(FACTORY CONFIGURATION)

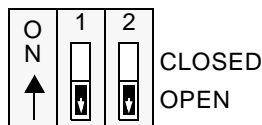


S1-9: **OFF** -- MVME197 **IS NOT** the System Controller

Configuration Switch S6: Serial Port 4 Clock Select (S6-1, S6-2)

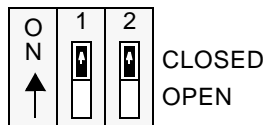
Serial port 4 can be configured to use clock signals provided by the RTXC4 and TRXC4 signal lines. Switch segments S6-1 and S6-2 on the MVME197LE configures serial port 4 to drive or receive TRXC4 and RTXC4, respectively. Factory configuration is with serial port 4 set to receive both signals (open). The remaining configuration of the clock lines is accomplished by using the Serial Port 4 Clock Configuration Select header on the MVME712M transition module. Refer to the *MVME712M Transition Module and P2 Adapter Board User's Manual* for configuration of that header.

Switch S6



Receive TRXC4 ——— | ——— Receive RTXC4
(FACTORY CONFIGURATION)

Switch S6



Drive TRXC4 ——— | ——— Drive RTXCC4

Connectors

The MVME197LE has two 64-position DIN connectors: P1 and P2. Connector P1 rows A, B, C, and connector P2 row B provide the VMEbus interconnection. Connector P2 rows A and C provide the interconnect to the SCSI bus, the serial ports, the Ethernet interface, and the Centronics printer. There is a 249-pin mezzanine connector (J2) with the MC88110 bus interface. This mezzanine connector is for MVME197LE module expansion. There is also a 20-pin general purpose connector (J1) which provides the interconnect to the LEDs and the reset and abort signals. Refer to the *SIMVME197LE Single Board Computer Support Information* manual for detailed signal descriptions.

Installation Instructions

The following sections discuss installation of the MVME197LE into a VME chassis, and system considerations. Ensure that the BOOT ROM device is installed. Ensure that all switches are configured as desired.

MVME197LE Module Installation

Now that the MVME197LE module is ready for installation, proceed as follows:

- a. Turn all equipment power **OFF** and disconnect the power cable from the power source.

Caution Inserting or removing modules while power is applied could result in damage to module components.



DANGEROUS VOLTAGES, CAPABLE OF CAUSING DEATH, ARE PRESENT IN THIS EQUIPMENT. USE EXTREME CAUTION WHEN HANDLING, TESTING, AND ADJUSTING.

- b. Remove the chassis cover as instructed in the equipment user's manual.
- c. Remove the filler panel(s) from the appropriate card slot(s) at the front and rear of the chassis (if the chassis has a rear card cage). The MVME197LE module requires power from both P1 and P2. It may be installed in any double-height unused card slot, if it is not configured as the system controller. If the MVME197LE is configured as the system controller, it must be installed in the left-most card slot (slot 1) to correctly initiate the bus-grant daisy-chain and to have proper operation of the IACK-daisy-chain driver. The MVME197LE is to be installed in the front of the chassis and the MVME712X transition board which has a double-wide front panel is to be installed in the rear of the chassis.
- d. Carefully slide the MVME197LE module into the card slot. Be sure the module is seated properly into the P1 and P2 connectors on the backplane. Do not damage or bend connector pins. Fasten the module in the chassis with screws provided, making good contact with the transverse mounting rails to minimize RFI emissions.
- e. Remove the IACK and BG jumpers from the header on the chassis backplane for the card slot in which the MVME197LE is installed.
- f. Connect the P2 Adapter Board and specified cable(s) to the MVME197LE at P2 on the backplane at the MVME197LE slot, to mate with (optional) terminals or other peripherals at the EIA-232-D serial ports, parallel port, SCSI ports, and LAN Ethernet port. Refer to the manuals listed in the *Related Documentation* section for information on installing the P2 Adapter Board and the MVME712X transition module. (Some connection diagrams

are provided in the *MVME197LE, MVME197DP, and MVME197SP Single Board Computers Programmer's Reference Guide*). Some cable(s) are not provided with the MVME712X module and therefore, are made or provided by the user. (Motorola recommends using shielded cables for all connections to peripherals to minimize radiation). Connect the peripherals to the cable(s). Detailed information on the EIA-232-D signals supported is found in Appendix A.

- g. Install any other required VMEmodules in the system.
- h. Replace the chassis cover.
- i. Connect the power cable to the ac power source and turn the equipment power **ON**.

System Considerations

The MVME197LE needs to draw power from both connectors P1 and P2 of the VMEbus backplane. Connector P2 is also used for the upper 16 bits of data for 32-bit transfers, and for the upper 8 address lines for the extended addressing mode. The MVME197LE may not operate properly without its main board connected to connectors P1 and P2 of the VMEbus backplane.

Whether the MVME197LE operates as a VMEbus master or as a VMEbus slave, it is configured for 32 bits of address and for 32 bits of data (A32/D32). However, it handles A16 or A24 devices in certain address ranges. D8 and/or D16 devices in the system must be handled by software. Refer to the memory maps in the *MVME197LE, MVME197DP, and MVME197SP Single Board Computers Programmer's Reference Guide*.

The MVME197LE contains shared onboard DRAM whose base address is software-selectable. Both the onboard processor and off-board VMEbus devices see this local DRAM at base physical address \$00000000, as programmed by the MVME197Bug firmware. This may be changed, by software, to any other base address. Refer to the *MVME197LE, MVME197DP, and MVME197SP Single Board Computers Programmer's Reference Guide* for details.

If the MVME197LE tries to access off-board resources in a non-existent location, and is not the system controller, and if the system does not have a global bus timeout, the MVME197LE waits forever for the VMEbus cycle to complete. This would cause the system to hang up. There is only one situation in which the system might lack this global bus timeout: when the MVME197LE is not the system controller and there is no global bus timeout elsewhere in the system.

Multiple MVME197LE modules may be configured into a single VME card cage. In general, hardware multiprocessor features are supported.

Other MPUs on the VMEbus can interrupt, disable, communicate with and determine the operational status of the RISC processor(s). One register of the GCSR set includes four bits which function as location monitors to allow one MVME197LE processor to broadcast a signal to other MVME197LE processors, if any. All eight registers are accessible from any local processor as well as from the VMEbus.

The MVME197LE provides +12 Vdc power to the Ethernet LAN transceiver interface through a 1 amp fuse (F2) located on the MVME197LE module. If the Ethernet transceiver fails to operate, check the fuse. When using the MVME712M transition module, the yellow LED (DS1) on the MVME712M front panel lights when LAN power is available, indicating that the fuse is good.

Introduction

This chapter provides the necessary information to use the MVME197LE VME module in a system configuration. This includes controls and indicators, memory maps, and software initialization of the module.

Controls and Indicators

The MVME197LE Single Board Computer has two push-button switches (ABORT and RESET) and six LED indicators (FAIL, SCON, RUN, LAN, VME, and SCSI), all located on the front panel of the module.

ABORT Switch S2

When enabled by software, the front panel ABORT switch (S2) generates an NMI (Non-Maskable Interrupt) type interrupt at a user-programmable level. It is normally used to abort program execution and return to the 197Bug debugger. Refer to the *VMEchip2* chapter of the *MVME197LE, MVME197DP, and MVME197SP Single Board Computers Programmer's Reference Guide* for more information.

RESET Switch S3

The RESET switch (S3) will reset all the onboard devices and drive the SYSRESET* signal if the MVME197LE module **is** the system controller. The RESET switch (S3) will reset all the onboard devices, with the exception of the DCAM and ECDM, if the MVME197LE module **is not** the system controller. The VMEchip2 generates the SYSREST* signal. The BusSwitch combines the local reset and the reset switch to generate a local board reset. Refer to the *Reset Driver* section in the *VMEchip2* chapter of the *MVME197LE, MVME197DP, and MVME197SP Single Board Computers Programmer's Reference Guide* for more information.

The BusSwitch receives the reset switch signal, debounces it and combines with the reset signal from the VMEchip2 to generate a board reset signal.

The VMEchip2 includes both a global and a local reset driver. When the chip operates as the VMEbus system controller, the reset driver provides a global system reset by asserting the VMEbus signal SYSRESET*. A SYSRESET* may be generated by the RESET switch, a power up reset, a watchdog timeout, or

by a control bit in the LCSR. SYSRESET* remains asserted for at least 200 msec, as required by the VMEbus specification.

Similarly, the VMEchip2 provides an input signal and a control bit to initiate a local reset operation. By setting a control bit, software can maintain a board in a reset state, disabling a faulty board from participating in normal system operation.

The local reset driver is enabled even when the VMEchip2 is not the system controller. A local reset may be generated by the RESET switch, a power up reset, a watchdog timeout, a VMEbus SYSRESET*, or a control bit in the GCSR.

Front Panel Indicators (DS1-DS6)

The six LEDs on the MVME197LE front panel are: FAIL, SCON, RUN, LAN, VME, and SCSI.

1. The yellow FAIL LED (DS1) is lit when the BRDFAIL signal line is active.
2. The green SCON LED (DS2) is lit when the VMEchip2 is the VMEbus system controller.
3. The green RUN LED (DS3) is lit when the MC88110 bus MC* pin is low.
4. The green LAN LED (DS4) lights when the LAN chip is the local peripheral bus master.
5. The green VME LED (DS5) lights when the board is using the VMEbus or when the board is accessed by the VMEbus.
6. The green SCSI LED (DS6) lights when the SCSI chip is the local peripheral bus master.

Memory Maps

There are three points of view for the memory maps: 1) the mapping of all resources as viewed by the Processor Bus (MC88110 bus), 2) the mapping of onboard/off-board resources as viewed from the Local Peripheral Bus (MC68040 compatible bus), and 3) the mapping of onboard resources as viewed by VMEbus Masters (VMEbus memory map).

Processor Bus Memory Map

Care should be taken, since all three maps are programmable. It is recommended that direct mapping from the Processor Bus to the Local Peripheral Bus be used.

The memory maps of MVME197LE devices are provided in the following tables. Table 3-1 is the entire map from \$00000000 to \$FFFFFFF. Many areas of the map are user-programmable, and suggested uses are shown in the table. This is assuming no address translation is used between the processor and local peripheral bus and between the local peripheral bus and VMEbus. The cache inhibit function is programmable in the MC88110. The onboard I/O space must be marked cache inhibit and serialized in its page table. Table 3-2 further defines the map for the local devices.

Table 3-1. Processor Bus Memory Map

Address Range	Devices Accessed	Port Size	Size	Software Cache Inhibit	Notes
\$00000000 - (DRAMSIZE - 1)	User Programmable (Onboard DRAM)	D64	DRAMSIZE	N	1
DRAMSIZE - \$FF7FFFFFFF	User Programmable (VMEbus)	D32/D16	3GB	?	2,3
\$FF800000 - \$FFBFFFFFFF	Flash Memory	D32	4MB	N	5
\$FFC00000 - \$FFEFFFFFFF	reserved	---	3MB	---	4
\$FFF00000 - \$FFFFFFFFFF	Local Devices (Refer to next table)	D32-D8	1MB	Y	---
\$FFFF0000 - \$FFFFFFF	User Programmable (VMEbus A16)	D32/D16	64KB	?	1,3

Notes

- This area is user-programmable. The suggested use is shown in the table. The DRAM decoder is programmed in the DCAM through the ECDM I²C Bus interface. The Processor Bus to Local Peripheral Bus and the Local Peripheral Bus to Processor Bus decoders are programmed in the BusSwitch. The Local Peripheral to VMEbus (master) and VMEbus to Local Peripheral Bus (slave) decoders are programmed in the VMEchip2.**
- Size is approximate.**
- Cache inhibit depends on devices in area mapped.**
- This area is not decoded. If these locations are accessed and the local peripheral bus timer is enabled, the cycle times out and is terminated by a TEA signal.**
- This area is user programmable via the BusSwitch. Default size is 4 megabytes.**

The following table focuses on the Local Devices portion of the Memory Map.

Table 3-2. Local Devices Memory Map

Address Range	Devices Accessed	Port Size	Size	Notes
\$FFF00000 - \$FFF00FFF	BusSwitch	D64-D8	4KB	1
\$FFF01000 - \$FFF01FFF	ECDM (DCAM access)	---	4KB	1
\$FFF02000 - \$FFF02FFF	reserved	---	4KB	4
\$FFF03000 - \$FFF03FFF	reserved	---	4KB	4
\$FFF04000 - \$FFF04FFF	reserved	---	4KB	4
\$FFF05000 - \$FFF05FFF	reserved	---	4KB	4
\$FFF06000 - \$FFF06FFF	reserved	---	4KB	4
\$FFF07000 - \$FFF07FFF	User defined	---	4KB	4
\$FFF08000 - \$FFF3FFFF	reserved	---	224KB	4
\$FFF40000 - \$FFF400FF	VMEchip2 (LCSR)	D32	256B	1,2,3
\$FFF40100 - \$FFF401FF	VMEchip2 (GCSR)	D32-D8	256B	1,2,3
\$FFF40200 - \$FFF40FFF	reserved	---	3.5KB	4,5
\$FFF41000 - \$FFF41FFF	reserved	---	4KB	4
\$FFF42000 - \$FFF42FFF	PCCchip2	D32-D8	4KB	1,2
\$FFF43000 - \$FFF43FFF	reserved	---	4KB	4
\$FFF44000 - \$FFF44FFF	reserved	---	4KB	3
\$FFF45000 - \$FFF45FFF	CD2401 (Serial Comm. Cont.)	D16-D8	4KB	1,2
\$FFF46000 - \$FFF46FFF	82596CA (LAN)	D32	4KB	1,2,6
\$FFF47000 - \$FFF47FFF	53C710 (SCSI)	D32/D8	4KB	1,2
\$FFF48000 - \$FFF4FFFF	reserved	---	32KB	4
\$FFF50000 - \$FFF6FFFF	reserved	---	128KB	4
\$FFF70000 - \$FFF77FFF	reserved	---	32KB	4
\$FFF78000 - \$FFF7FFFF	reserved	---	288KB	4
\$FFF80000 - \$FFFBFFFF	DROM (BOOT ROM)	---	256KB	7
\$FFFC0000 - \$FFFCFFFF	MK48T08 (BBRAM,TOD Clk)	D32-D8	64KB	1,2
\$FFFD0000 - \$FFFEFFFF	reserved	---	128KB	4

Notes

1. For a complete description of the register bits, refer to the appropriate data sheet for the specific chip. For a more detailed memory map refer to the detailed peripheral device memory maps in the *MVME197LE*, *MVME197DP*, and *MVME197SP Single Board Computers Programmer's Reference Guide*.
2. Address is the physical address going to the device. It is after the BusSwitch translation from the MC88110 address to the device seen address.

3. **Writes to the LCSR in the VMEchip2 must be 32 bits. LCSR writes of 8 or 16 bits terminate with a TEA signal. Writes to the GCSR may be 8, 16, or 32 bits. Reads to the LCSR and GCSR may be 8, 16, or 32 bits.**
4. **This area does not return an acknowledge signal. If the processor bus timeout timer is enabled, the access times out and is terminated by a TEA signal.**
5. **Size is approximate.**
6. **Port commands to the 82596CA must be written as two 16-bit writes: upper word first and lower word second.**
7. **DROM (BOOT ROM) appears at \$0 following a local peripheral bus reset. The DROM appears at 0 until the DR0 bit is cleared in the PCCchip2. In addition, the ROM0 bit in the BusSwitch must be cleared before the DRAM is accessed.**

Detailed I/O Memory Maps

Tables 3-3 through 3-14 give the detailed memory maps for the BusSwitch register, the ECDM CSR register, the DCAM (I²C) register, the VMEchip2 register, the PCCchip2 register, the printer register, the CD2401 Serial Port register, the Ethernet LAN register, the SCSI Controller register, and the BBRAM/TOD Clock register.

Table 3-3. BusSwitch Register Memory Map

BusSwitch Base Address = \$FFF00000

Offset

3

Offset	63	56	55	48	47	32	31	16	15	0
0	CHIPID		CHIPREV		GCSR		IODATA		IODIR	
8	PSAR1		PEAR1		PSAR2		PEAR2			
10	PSAR3		PEAR3		PSAR4		PEAR4			
18	PTR1		PTSR1		PTR2		PTSR2			
20	PTR3		PTSR3		PTR4		PTSR4			
28	SSAR1		SEAR1		SSAR2		SEAR2			
30	SSAR3		SEAR3		SSAR4		SEAR4			
38	STR1		STSR1		STR2		STSR2			
40	STR3		STSR3		STR4		STSR4			
48	PAR1	PAR2		PAR3	PAR4	SAR1	SAR2	SAR3	SAR4	
50	BTIMER		PADJUST	PCOUNT		PAL				
58	WPPA				WPTPA			WPPAT		
60	ROMCR		TCTRL1	TCTRL2		LEVEL	MASK	ISEL0	ISEL1	
68	ABORT	CPINT	TINT1	TINT2		WPINT	PALINT	XINT	VBASE	
70	TCOMP1				TCOUNT1					
78	TCOMP2				TCOUNT2					
80	GPR1				GPR2					
88	GPR3				GPR4					
90	XCTAGS									
100	XCCR				VECTOR1					
108	VECTOR2				VECTOR3					
110	VECTOR4				VECTOR5					
118	VECTOR6				VECTOR7					

Table 3-4. ECDM CSR Register Memory Map

Sub-System Memory CSR Base Address = \$FFF01000

Offset/Register:

ECDM0		ECDM1		ECDM2		ECDM3									
ADDR/REGISTER	ADDR/REGISTER	ADDR/REGISTER	ADDR/REGISTER	ADDR/REGISTER	ADDR/REGISTER	ADDR/REGISTER	ADDR/REGISTER								
00 / MEMCON0	01 / ECDMID0	02 / MEMCON1	03 / ECDMID1	04 / MEMCON2	05 / ECDMID2	06 / MEMCON3	07 / ECDMID3								
08 / SYNSTAT0	09 / ERSTAT0	0A / SYNSTAT1	0B / ERSTAT1	0C / SYNSTAT2	0D / ERSTAT2	0E / SYNSTAT3	0F / ERSTAT3								
10 / I2CON0	11 / I2STAT0	12 / I2CON1	13 / I2STAT1	14 / I2CON2	15 / I2STAT2	16 / I2CON3	17 / I2STAT3								
18 / I2DATA0	19 / I2ADDR0	1A / I2DATA1	1B / I2ADDR1	1C / I2DATA2	1D / I2ADDR2	1E / I2DATA3	1F / I2ADDR3								
D64	D56	D55	D48	D47	D40	D39	D32	D31	D24	D23	D16	D15	D8	D7	D0

ECDM register map of four ECDM devices in a 64-bit system. The byte offset address is shown next to each register.

Table 3-5. DCAM (I²C) Register Memory MapDCAM (I²C) Base Address = \$C0 (default)

Offset

	BIT 7	BIT 6	BIT 5	BIT 4	BIT 3	BIT 2	BIT 1	BIT 0
00 00	ID Register							
01 01	Version Register							
02 02	SL31	SL30	SL29	SL28	SL27	SL26	SL25	DISRAM
03 03	SH31	SH30	SH29	SH28	SH27	SH26	SH25	SCRUB1TIME
04 04	CASCLKSL	CASCLK2	CASCLK1	PGMODE	ONEBANK	DRAMSIZ3	DRAMSIZ2	DRAMSIZ1
05 05	REF7	REF6	REF5	REF4	REF3	REF2	REF1	REF0
06 06	REFTAIL4	REFTAIL3	REFTAIL2	REFTAIL1	REF11	REF10	REF9	REF8
07 07	NOT USED	NOT USED	RDTAIL5	RDTAIL4	RDTAIL3	RDTAIL2	RDTAIL1	RTCLKSL
08 08	READACK7	READACK6	READACK5	READACK4	READACK3	READACK2	READACK1	INTRRUPT
09 09	NOT USED	READOE6	READOE5	READOE4	READOE3	READOE2	READOE1	NOT USED
0A 10	FECCKSL	BREADOE6	BREADOE5	BREADOE4	BREADOE3	BREADOE2	BREADOE1	PCGCCLKSL
0B 11	PCHG7	PCHG6	PCHG5	PCHG4	PCHG3	PCHG2	PCHG1	PCHG0
0C 12	SLECDM5	SLECDM4	SLECDM3	SLECDM2	FLECDM4	FLECDM3	FLECDM2	FLECDM1
0D 13	NOT USED	ERAMOE6	ERAMOE5	ERAMOE4	ERAMOE3	ERAMOE2	ERAMOE1	ROECLKSL
0D 14	NOT USED	RMWRMOE6	RMWRMOE5	RMWRMOE4	RMWRMOE3	RMWRMOE2	RMWRMOE1	RMWOE5
0F 15	CSRTAIL7	CSRTAIL6	CSRTAIL5	CSRTAIL4	CSRTAIL3	CSRTAIL2	CSRTAIL1	NOT USED
10 16	BWRRTL4	BWRRTL3	BWRRTL2	BWRRTL1	RMWOE4	RMWOE3	RMWOE2	RMWOE1
11 17	SECCLKSL	RMWOCKSL	BWRITE5	BWRITE4	BWRITE3	BWRITE2	BWRITE1	WRCLKSEL
12 18	NOT USED	NOT USED	RMW5	RMW4	RMW3	RMW2	RMW1	NOT USED
13 19	RMWTAIL7	RMWTAIL6	RMWTAIL5	RMWTAIL4	RMWTAIL3	RMWTAIL2	RMWTAIL1	RMWTLCSL
14 20	CBRDOE3	CBRDOE2	CBRDOE1	NOT USED	CREADOE3	CREADOE2	CREADOE1	BWRTCSL
15 21	SC9	SC8	SC7	SC6	SC5	SC4	SC3	SC2
16 22	SC17	SC16	SC15	SC14	SC13	SC12	SC11	SC10
17 23	SC25	SC24	SC23	SC22	SC21	SC20	SC19	SC18
18 24	NOT USED	SC32	SC31	SC30	SC29	SC28	SC27	SC26
19 25	NOT USED	NOT USED	NOT USED	CBTAIL4	CBTAIL3	CBTAIL2	CBTAIL1	CBTLCKSL
1A 26	CSR7	CSR6	CSR5	CSR4	NOT USED	NOT USED	NOT USED	NOT USED
1B 27	CSR15	CSR14	CSR13	CSR12	CSR11	CSR10	CSR9	CSR8
1C 28	CSR23	CSR22	CSR21	CSR20	CSR19	CSR18	CSR17	CSR16
1D 29	CSR31	CSR30	CSR29	CSR28	CSR27	CSR26	CSR25	CSR24
1E 30	NOT USED	NOT USED	BRDTAIL5	BRDTAIL4	BRDTAIL3	BRDTAIL2	BRDTAIL1	NOT USED
1F 31								
	BIT 7	BIT 6	BIT 5	BIT 4	BIT 3	BIT 2	BIT 1	BIT 0

DCAM registers are only accessible/addressable on the DRAM sub-system I²Cbus through the ECDM I²C interface.

**Table 3-6. VMEchip2 Memory Map
(Sheet 1 of 4)**

VMEchip2 LCSR Base Address = \$FFF40000
OFFSET:

	D31	D30	D29	D28	D27	D26	D25	D24	D23	D22	D21	D20	D19	D18	D17	D16	D15	D14	D13	D12	D11	D10	D9	D8	D7	D6	D5	D4	D3	D2	D1	D0
00	VMEbus SLAVE ENDING ADDRESS 1																VMEbus SLAVE STARTING ADDRESS 1															
04	VMEbus SLAVE ENDING ADDRESS 2																VMEbus SLAVE STARTING ADDRESS 2															
08	VMEbus SLAVE ADDRESS TRANSLATION ADDRESS 1																VMEbus SLAVE ADDRESS TRANSLATION SELECT 1															
0C	VMEbus SLAVE ADDRESS TRANSLATION ADDRESS 2																VMEbus SLAVE ADDRESS TRANSLATION SELECT 2															
10					(VB) SNP 2	(VB) WP 2	(VB) SUP 2	(VB) USR 2	(VB) A32 2	(VB) A24 2	(VB) D64 2	(VB) BLK 2	(VB) PGM 2	(VB) DAT 2					(VB) SNP 1	(VB) WP 1	(VB) SUP 1	(VB) USR 1	(VB) A32 1	(VB) A24 1	(VB) D64 1	(VB) BLK 1	(VB) PGM 1	(VB) DAT 1				
14	LOCAL BUS SLAVE ENDING ADDRESS 1																LOCAL BUS SLAVE STARTING ADDRESS 1															
18	LOCAL BUS SLAVE ENDING ADDRESS 2																LOCAL BUS SLAVE STARTING ADDRESS 2															
1C	LOCAL BUS SLAVE ENDING ADDRESS 3																LOCAL BUS SLAVE STARTING ADDRESS 3															
20	LOCAL BUS SLAVE ENDING ADDRESS 4																LOCAL BUS SLAVE STARTING ADDRESS 4															
24	LOCAL BUS SLAVE ADDRESS TRANSLATION ADDRESS 4																LOCAL BUS SLAVE ADDRESS TRANSLATION SELECT 4															
28	(LB) D16 EN	(LB) WP EN	(LB) AM 4				(LB) D16 EN	(LB) WP EN	(LB) AM 3				(LB) D16 EN	(LB) WP EN	(LB) AM 2				(LB) D16 EN	(LB) WP EN	(LB) AM 1											
2C	(VB) GCSR GROUP ADDRESS								(VB) GCSR BOARD ADDRESS				LB EN4	LB EN3	LB EN2	LB EN1	LB I2 EN	LB I2 WP	LB I2 SU	LB I2 PD	LB I1 EN	LB I1 D16	LB I1 WP	LB I1 SU	ROM SIZE (XX)	ROM BANK B SPEED (XX)		ROM BANK A SPEED (XX)				
	D31	D30	D29	D28	D27	D26	D25	D24	D23	D22	D21	D20	D19	D18	D17	D16	D15	D14	D13	D12	D11	D10	D9	D8	D7	D6	D5	D4	D3	D2	D1	D0

LB = Local Bus
(LB) = Local Bus Slave
LV = Local Bus to VMEbus

VB = VMEbus
(VB) = VMEbus Slave
(XX) = Not Used on the MVME197 Series

Table 3-6. VMEchip2 Memory Map (Continued)
(Sheet 2 of 4)

VMEchip2 LCSR Base Address = \$FFF40000
OFFSET:

	D31	D30	D29	D28	D27	D26	D25	D24	D23	D22	D21	D20	D19	D18	D17	D16	D15	D14	D13	D12	D11	D10	D9	D8	D7	D6	D5	D4	D3	D2	D1	D0	
30												ROM0 (XX)	DMAC TB SNP MODE (XX)	SPRAM SPEED (XX)	LV ROBN MODE	LV DHB	LV DWB		LV FAIR	LV RWD	LV REQUEST LEVEL	DMAC HALT	DMAC EN	DMAC TBL	DMAC FAIR	DMAC RELM	DMAC REQUEST LEVEL						
34																	DMAC INTE	DMAC LB SNP MODE		DMAC VME INC	DMAC LB INC	DMAC TVME	DMAC D16	DMAC BLK TR	DMAC BLK TR	DMAC AM	DMAC AM	DMAC AM	DMAC AM	DMAC AM	DMAC AM	DMAC AM	
38	DMAC LOCAL BUS ADDRESS COUNTER																																
3C	DMAC VMEbus ADDRESS COUNTER																																
40	DMAC BYTE COUNTER																																
44	DMAC TABLE ADDRESS COUNTER																																
48	INTERRUPT 1 SIGNAL	IRQ CLR	IRQ STAT	VMEbus INTERRUPT LEVEL			VMEbus INTERRUPT VECTOR										DMAC INTERRUPT COUNTER			MPU CLR	MPU LB EN	MPU LB PERR	MPU LB OB	MPU LB TO	DMAC LB EN	DMAC LB PERR	DMAC LB OB	DMAC LB TO	DMAC LB ERR	DMAC VME ERR	DMAC DONE		
4C					VB TO	DMAC TIME OFF	DMAC TIME ON	VMEbus GLOBAL TIMEOUT	VMEbus ACCESS TIMEOUT	LOCAL BUS TIMEOUT	WATCHDOG TIMEOUT						PRESCALER ADJUST																
50	TICK TIMER 1 COMPARE																																
54	TICK TIMER 1 COUNTER																																
58	TICK TIMER 2 COMPARE																																
5C	TICK TIMER 2 COUNTER																																
60	SCON	SYS FAIL	BRD FAIL STAT	PURS STAT	CLR PURS STAT	BRD FAIL OUT	RST SW EN	SYS RST	WD CLR STAT	WD CLR CNT	WD TO STAT	WD BDF EN	WD SYS LRST	WD RST EN	WD EN	OVERFLOW COUNTER 2						CLR OVF 2	COC 2	CNT EN 2	OVERFLOW COUNTER 1						CLR OVF 1	COC 1	CNT EN 1
64	PRESCALER COUNTER																																
	D31	D30	D29	D28	D27	D26	D25	D24	D23	D22	D21	D20	D19	D18	D17	D16	D15	D14	D13	D12	D11	D10	D9	D8	D7	D6	D5	D4	D3	D2	D1	D0	

LB = Local Bus
(LB) = Local Bus Slave
LV = Local Bus to VMEbus

VB = VMEbus
(VB) = VMEbus Slave
(XX) = Not Used on the MVME197 Series

Table 3-6. VMEchip2 Memory Map (Continued)
(Sheet 3 of 4)

VMEchip2 LCSR Base Address = \$FFF40000
OFFSET:

	D31	D30	D29	D28	D27	D26	D25	D24	D23	D22	D21	D20	D19	D18	D17	D16	D15	D14	D13	D12	D11	D10	D9	D8	D7	D6	D5	D4	D3	D2	D1	D0		
68	AC FAIL IRQ	AB SW IRQ	SYS FAIL IRQ	MWP ERR IRQ	PE IRQ	IRQ1 EDGE IRQ	TIC TIM2 IRQ	TIC TIM1 IRQ	VME IACK IRQ	DMAC IRQ	GCSR SIG3 IRQ	GCSR SIG2 IRQ	GCSR SIG1 IRQ	GCSR SIG0 IRQ	GCSR LM1 IRQ	GCSR LM0 IRQ	LB SW7 IRQ	LB SW6 IRQ	LB SW5 IRQ	LB SW4 IRQ	LB SW3 IRQ	LB SW2 IRQ	LB SW1 IRQ	LB SW0 IRQ	SPARE	VME IRQ7	VME IRQ6	VME IRQ5	VME IRQ4	VME IRQ3	VME IRQ2	VME IRQ1	VME IRQ0	
6C	EN IRQ 31	EN IRQ 30	EN IRQ 29	EN IRQ 28	EN IRQ 27	EN IRQ 26	EN IRQ 25	EN IRQ 24	EN IRQ 23	EN IRQ 22	EN IRQ 21	EN IRQ 20	EN IRQ 19	EN IRQ 18	EN IRQ 17	EN IRQ 16	EN IRQ 15	EN IRQ 14	EN IRQ 13	EN IRQ 12	EN IRQ 11	EN IRQ 10	EN IRQ 9	EN IRQ 8	EN IRQ 7	EN IRQ 6	EN IRQ 5	EN IRQ 4	EN IRQ 3	EN IRQ 2	EN IRQ 1	EN IRQ 0		
70																	SET IRQ 15	SET IRQ 14	SET IRQ 13	SET IRQ 12	SET IRQ 11	SET IRQ 10	SET IRQ 9	SET IRQ 8										
74	CLR IRQ 31	CLR IRQ 30	CLR IRQ 29	CLR IRQ 28	CLR IRQ 27	CLR IRQ 26	CLR IRQ 25	CLR IRQ 24	CLR IRQ 23	CLR IRQ 22	CLR IRQ 21	CLR IRQ 20	CLR IRQ 19	CLR IRQ 18	CLR IRQ 17	CLR IRQ 16	CLR IRQ 15	CLR IRQ 14	CLR IRQ 13	CLR IRQ 12	CLR IRQ 11	CLR IRQ 10	CLR IRQ 9	CLR IRQ 8										
78	ACFAIL IRQ LEVEL				ABORT IRQ LEVEL				SYSFAIL IRQ LEVEL				MASTER WRITE POST ERROR IRQ LEVEL				PARITY ERROR IRQ LEVEL				IRQ1 EDGE-SENSITIVE IRQ LEVEL				TICK TIMER 2 IRQ LEVEL				TICK TIMER 1 IRQ LEVEL					
7C	VMEbus ACKNOWLEDGE IRQ LEVEL				DMAC IRQ LEVEL				GCSR SIG 3 IRQ LEVEL				GCSR SIG 2 IRQ LEVEL				GCSR SIG 1 IRQ LEVEL				GCSR SIG 0 IRQ LEVEL				GCSR LM 1 IRQ LEVEL				GCSR LM 0 IRQ LEVEL					
80	SW7 IRQ LEVEL				SW6 IRQ LEVEL				SW5 IRQ LEVEL				SW4 IRQ LEVEL				SW3 IRQ LEVEL				SW2 IRQ LEVEL				SW1 IRQ LEVEL				SW0 IRQ LEVEL					
84	SPARE IRQ LEVEL				VMEbus IRQ7 IRQ LEVEL				VMEbus IRQ6 IRQ LEVEL				VMEbus IRQ5 IRQ LEVEL				VMEbus IRQ4 IRQ LEVEL				VMEbus IRQ3 IRQ LEVEL				VMEbus IRQ2 IRQ LEVEL				VMEbus IRQ1 IRQ LEVEL					
88	VECTOR BASE REGISTER 0				VECTOR BASE REGISTER 1				MST IRQ EN	SYS FAIL LEVEL	AC FAIL LEVEL	ABORT LEVEL	GENERAL PURPOSE I/O ENABLE				GENERAL PURPOSE I/O OUTPUT				GENERAL PURPOSE I/O INPUT				GENERAL PURPOSE INPUT									
	D31	D30	D29	D28	D27	D26	D25	D24	D23	D22	D21	D20	D19	D18	D17	D16	D15	D14	D13	D12	D11	D10	D9	D8	D7	D6	D5	D4	D3	D2	D1	D0		

LB = Local Bus

(LB) = Local Bus Slave

LV = Local Bus to VMEbus

VB = VMEbus

(VB) = VMEbus Slave

(XX) = Not Used on the MVME197 Series

Table 3-6. VMEchip2 Memory Map (Continued)
(Sheet 4 of 4)

VMEchip2 GCSR Base Address = \$FFF40100

L	V	D15	D14	D13	D12	D11	D10	D9	D8	D7	D6	D5	D4	D3	D2	D1	D0
0	0	CHIP REVISION								CHIP ID							
4	2	LM3	LM2	LM1	LM0	SIG3	SIG2	SIG1	SIG0	RST	ISF	BF	SCON	SYS FL			
8	4	GENERAL PURPOSE CONTROL AND STATUS REGISTER 0															
C	6	GENERAL PURPOSE CONTROL AND STATUS REGISTER 1															
10	8	GENERAL PURPOSE CONTROL AND STATUS REGISTER 2															
14	A	GENERAL PURPOSE CONTROL AND STATUS REGISTER 3															
18	C	GENERAL PURPOSE CONTROL AND STATUS REGISTER 4															
1C	E	GENERAL PURPOSE CONTROL AND STATUS REGISTER 5															
		D15	D14	D13	D12	D11	D10	D9	D8	D7	D6	D5	D4	D3	D2	D1	D0

NOTES: L = Local Bus Offset.
 V = VMEbus Offset.

Table 3-7. PCCchip2 Memory Map

**PCCchip2 LCSR Base Address = \$FFF42000
OFFSET:**

	D31	D30	D29	D28	D27	D26	D25	D24	D23	D22	D21	D20	D19	D18	D17	D16	D15	D14	D13	D12	D11	D10	D9	D8	D7	D6	D5	D4	D3	D2	D1	D0
00	CHIP ID								CHIP REVISION								DR0	VECTOR BASE														
04	TIC TIMER 1 COMPARE																															
08	TIC TIMER 1 COUNTER																															
0C	TIC TIMER 2 COMPARE																															
10	TIC TIMER 2 COUNTER																															
14	PRESCALER COUNT								PRESCALER CLOCK ADJUST								OVERFLOW COUNTER 2				CLR OVF 2	COUN EN 2	COUN EN 2	OVERFLOW COUNTER 1				CLR OVF 1	COUN EN 1	COUN EN 1		
18	GPI PLY	GPI E/L*	GPI INT	GPI IEN	GPI ICLR	GPI IRQ LEVEL			SCC MDM			GPI	GIOE	GPO	TIC2 INT	TIC2 IEN	TIC2 ICLR	TIC TIMER 2 IRQ LEVEL			SCC SC1		SCC SC2	SCC IRQ	SCC IEN	SCC ICLR	TIC TIMER 1 IRQ LEVEL					
1C	SCC RTRY ERR		SCC PAR ERR	SCC EXT ERR	SCC LTO ERR	SCC SCLR	SCC MODEM IRQ LEVEL			SCC TX IRQ	SCC TX IEN	SCC TX AVEC	SCC TRANSMIT IRQ LEVEL			SCC SC1	SCC SC2	SCC IRQ	SCC IEN	SCC AVEC	SCC RECEIVE IRQ LEVEL											
20	SCC MODEM PIACK																															
24	SCC TRANSMIT PIACK																SCC RECEIVE PIACK															
28	LAN PAR ERR				LAN EXT ERR	LAN LTO ERR	LAN SCLR	LAN IRQ LEVEL								LAN SC1	LAN SC2	LAN ERR INT	LAN ERR IEN	LAN ERR ICLR	LAN ERR IRQ LEVEL											
2C	SCSI PAR ERR				SCSI EXT ERR	SCSI LTO ERR	SCSI SCLR	SCSI IRQ LEVEL								SCSI IRQ		SCSI IEN	SCSI INT IRQ LEVEL													
30	PRTR ACK PLY	PRTR ACK E/L*	PRTR ACK INT	PRTR ACK IEN	PRTR ACK ICLR	PRTR ACK IRQ LEVEL			PRTR FLT PLY	PRTR FLT E/L*	PRTR FLT INT	PRTR FLT IEN	PRTR FLT ICLR	PRTR FAULT IRQ LEVEL			PRTR SEL PLY	PRTR SEL E/L*	PRTR SEL INT	PRTR SEL IEN	PRTR SEL ICLR	PRTR SEL IRQ LEVEL			PRTR PE PLY	PRTR PE E/L*	PRTR PE INT	PRTR PE IEN	PRTR PE ICLR	PRTR PE IRQ LEVEL		
34	PRTR BSY PLY	PRTR BSY E/L*	PRTR BSY INT	PRTR BSY IEN	PRTR BSY ICLR	PRTR BSY IRQ LEVEL			PRTR ANY INT				PRTR ACK	PRTR FLT	PRTR SEL	PRTR PE	PRTR BSY	PRTR DAT ENBL		PRTR INP	PRTR STB	PRTR FAST ASTB	PRTR MAN STB									
38	CHIP SPEED																PRINTER DATA															
3C	INTERRUPT IPL LEVEL																INTERRUPT MASK LEVEL															

Table 3-8. Printer Memory Map

Printer ACK Interrupt Control Register \$FFF42030

BIT	31	30	29	28	27	26	25	24
NAME	PLTY	E/L*	INT	IEN	ICLR	IL2	IL1	IL0

Printer FAULT Interrupt Control Register \$FFF42031

BIT	23	22	21	20	19	18	17	16
NAME	PLTY	E/L*	INT	IEN	ICLR	IL2	IL1	IL0

Printer SEL Interrupt Control Register \$FFF42032

BIT	15	14	13	12	11	10	9	8
NAME	PLTY	E/L*	INT	IEN	ICLR	IL2	IL1	IL0

Printer PE Interrupt Control Register \$FFF42033

BIT	7	6	5	4	3	2	1	0
NAME	PLTY	E/L*	INT	IEN	ICLR	IL2	IL1	IL0

Printer BUSY Interrupt Control Register \$FFF42034

BIT	31	30	29	28	27	26	25	24
NAME	PLTY	E/L*	INT	IEN	ICLR	IL2	IL1	IL0

Printer Input Status Register \$FFF42036

BIT	15	14	13	12	11	10	9	8
NAME	PINT			ACK	FLT	SEL	PE	BSY

Printer Port Control Register \$FFF42037

BIT	7	6	5	4	3	2	1	0
NAME				DOEN	INP	STB	FAST	MAN

Printer Data Register (16 bits) \$FFF4203A

BIT	15-0							
NAME	PD15-PD0							

Printer memory map is part of the PCCchip2 (refer to PCCchip2 Memory Map).

Table 3-9. Cirrus Logic CD2401 Serial Port Memory Map

Cirrus Logic CD2400 Memory Map		Base Address Is \$FFF45000		
		Offsets	Size	Access
Global Firmware Revision Code Register	(GFCR)	81	B	R
Transmit FIFO Transfer Count	(TFTC)	80	B	R
Modem End Of Interrupt Register	(MEOIR)	86	B	R/W
Transmit End Of Interrupt Register	(TEOIR)	85	B	R/W
Receive End Of Interrupt Register	(REOIR)	84	B	R/W
Modem (/Timer) Interrupt Status Register	(MISR)	8B	B	R
Transmit Interrupt Status Register	(TISR)	8A	B	R
Receive Interrupt Status Register	(RISR)	88	W	R
Receive Interrupt Status Register low	(RISRL)	89	B	R
Receive Interrupt Status Register high	(RISRh)	88	B	R
Timer Period Register	(TPR)	DA	B	R/W
Priority Interrupt level Register 1	(PILR1)	E3	B	R/W
Priority Interrupt level Register 2	(PILR2)	E0	B	R/W
Priority Interrupt level Register 3	(PILR3)	E1	B	R/W
Channel Access Register	(CAR)	EE	B	R/W
Receive Data Register	(RDR)	F8	B	R
Transmit Data Register	(TDR)	F8	B	W
Local Interrupting Channel Register	(LICR)	26	B	R/W
Local Interrupt Vector Register	(LIVR)	09	B	R/W
Channel Command Register	(CRR)	13	B	R/W
Special Transmit Command Register	(STCR)	12	B	R/W
Interrupt Enable Register	(IER)	11	B	R/W
Channel Option Register 1	(COR1)	10	B	R/W
Channel Option Register 2	(COR2)	17	B	R/W
Channel Option Register 3	(COR3)	16	B	R/W
Channel Option Register 4	(COR4)	15	B	R/W
Channel Option Register 5	(COR5)	14	B	R/W
Channel Mode Register	(CMR)	1B	B	R/W

This is a 16-bit register.

Table 3-10. 82596CA Ethernet LAN Memory Map

**82596CA Ethernet LAN
Directly Accessible Registers**

Address	Data Bits			
	D31	D16	D15	D0
SFFF46000	Upper Command Word		Lower Command Word	
SFFF46004	MPU Channel Attention (CA)			

Notes

1. Refer to the MPU Port and MPU Channel Attention registers in the *PCCchip2* chapter of the MVME197LE, MVME197DP, and MVME197SP Single Board Computers Programmer's Reference Guide.
2. After reset you must write the System Configuration Pointer to the command registers prior to writing to the CPU Channel Attention register. Writes to the System Configuration Pointer must be upper word first, lower word second.

Table 3-11. 53C710 SCSI Memory Map

53C710 Register Address Map			Base Address is \$FFF47000		
Big Endian Mode					SCRIPTs Mode and Little Endian Mode
00	SIEN	SDID	SCNTL1	SCNTL0	00
04	SOCL	SODL	SXFER	SCID	04
08	SBCL	SBDL	SIDL	SFBR	08
0C	SSTAT2	SSTAT1	SSTAT0	DSTAT	0C
10	DSA				10
14	CTEST3	CTEST2	CTEST1	CTEST0	14
18	CTEST7	CTEST6	CTEST5	CTEST4	18
1C	TEMP				1C
20	LCRC	CTEST8	ISTAT	DFIFO	20
24	DCMD	DBC			24
28	DNAD				28
2C	DSP				2C
30	DSPS				30
34	SCRATCH				34
38	DCNTL	DWT	DIEN	DMODE	38
3C	ADDER				3C

Note Accesses may be 8-bit or 32-bit, but not 16-bit.

Table 3-12. MK48T08 BBRAM, TOD Clock Memory Map

Address Range	Description	Size (Bytes)
\$FFFC0000 - \$FFFC0FFF	User Area	4096
\$FFFC1000 - \$FFFC10FF	Networking Area	256
\$FFFC1100 - \$FFFC16F7	Operating System Area	1528
\$FFFC16F8 - \$FFFC1EF7	Debugger Area	2048
\$FFFC1EF8 - \$FFFC1FF7	Configuration Area	256
\$FFFC1FF8 - \$FFFC1FFF	TOD Clock	8

Table 3-13. BBRAM Configuration Area Memory Map

Address Range	Description	Size (Bytes)
\$FFFC1EF8 - \$FFFC1EFB	Version	4
\$FFFC1EFC - \$FFFC1F07	Serial Number	12
\$FFFC1F08 - \$FFFC1F17	Board ID	16
\$FFFC1F18 - \$FFFC1F27	PWA	16
\$FFFC1F28 - \$FFFC1F2B	Speed	4
\$FFFC1F2C - \$FFFC1F33	Ethernet Address	8
\$FFFC1F34 - \$FFFC1FF6	Reserved	195
\$FFFC1FF7	Checksum	1

Table 3-14. TOD Clock Memory Map

Address	Data Bits								Function
	D7	D6	D5	D4	D3	D2	D1	D0	
\$FFFC1FF8	W	R	S	--	--	--	--	--	CONTROL
\$FFFC1FF9	ST	--	--	--	--	--	--	--	SECONDS 00
\$FFFC1FFA	x	--	--	--	--	--	--	--	MINUTES 00
\$FFFC1FFB	x	x	--	--	--	--	--	--	HOUR 00
\$FFFC1FFC	x	x	x	x	x	--	--	--	DAY 01
\$FFFC1FFD	x	x	FT	--	--	--	--	--	DATE 01
\$FFFC1FFE	x	x	x	--	--	--	--	--	MONTH 01
\$FFFC1FFF	--	--	--	--	--	--	--	--	YEAR 00

Notes

ST = Stop Bit
 W = Write Bit
 R = Read Bit
 -- = Data Bit

S = Sign Bit
 FT = Frequency Test
 x = Unused

BBRAM, TOD Clock Memory Map

The MK48T08 BBRAM (also called Non-Volatile RAM or NVRAM) is divided into six areas as shown in Table 3-12. The first five areas are defined by software, while the sixth area, the time-of-day (TOD) clock, is defined by the chip hardware. The first area is reserved for user data. The second area is used by Motorola networking software. The third area is used by the SYSTEM V/88 operating system. The fourth area is used by the MVME197 board debugger. The fifth area, detailed in Table 3-13, is the configuration area. The sixth area, the TOD clock, detailed in Table 3-14, is defined by the chip hardware.

The data structure of the configuration bytes starts at \$FFFC1EF8 and is as follows.

```

struct config_rom {
    char    version[4];
    char    serial[12];
    char    id[16];
    char    pwa[16];
    char    speed[4];
    char    ethernet_adr[8];
    char    reserved[195];
    char    cksum[1];
}

```

The fields are defined as follows:

1. Four bytes are reserved for the revision or version of this structure. This revision is stored in ASCII format, with the first two bytes being the major version numbers and the last two bytes being the minor version numbers. For example, if the version of a structure is 4.6, this field contains:

0460

2. Twelve bytes are reserved for the serial number of the board in ASCII format. For example, this field could contain:

000000470476

3. Sixteen bytes are reserved for the board ID in ASCII format. For example, for a MVME197LE module, this field contains:

MVME197LE

(The nine characters are followed by seven blanks.)

4. Sixteen bytes are reserved for the printed wiring assembly (PWA) number assigned to this board in ASCII format. This includes the 01-W prefix. This is for the main logic board if more than one board is required for a set. Additional boards in a set are defined by a structure for that set. For example, for a 32 megabyte, 50 MHz MVME197LE board at revision A, the PWA field contains:

01-W3869B03A

(The 12 characters are followed by four blanks.)

5. Four bytes contain the speed of the board in MHz. The first two bytes are the whole number of MHz and the second two bytes are fractions of MHz. For example, for a 50 MHz board, this field contains:

5000

6. Eight bytes are reserved for the Ethernet address. The address is stored in hexadecimal format, with the last two bytes not used. (Refer to the *Ethernet Interface* section for a more detailed description). If the board does not support Ethernet, this field is filled with zeros.
7. Growth space (195 bytes) is reserved. This pads the structure to an even 256 bytes. Board-specific items, such as mezzanine board PWA numbers, may go here.
8. The final one byte of the area is reserved for a checksum (as defined in the *MVME197BUG 197Bug Debugging Package User's Manual*) for security and data integrity of the configuration area of the NVRAM. This data is stored in hexadecimal format.

VMEbus Memory Map

This section describes the mapping of local resources as viewed by VMEbus masters.

VMEbus Accesses to the Local Peripheral Bus

The VMEchip2 includes a user-programmable map decoder for the VMEbus to local peripheral bus interface. The map decoder allows the user to program the starting and ending address and the modifiers the MVME197 responds to.

VMEbus Short I/O Memory Map

The VMEchip2 includes a user-programmable map decoder for the GCSR (Global Control and Status Registers). The GCSR map decoder allows the user to program the starting address of the GCSR in the VMEbus short I/O space.

Software Initialization

Most functions that have been done with switches or jumpers on other modules are done by setting control registers on the MVME197LE. At power-up or reset, the FLASH memory that contains the 197Bug debugging package sets up the default values of many of these registers.

Specific programming details may be determined by study of the *MC88110 Second Generation RISC Microprocessor User's Manual*. Then check the details of all the MVME197LE onboard registers as given in the *MVME197LE, MVME197DP, and MVME197SP Single Board Computers Programmer's Reference Guide*.

Multi-MPU Programming Considerations

Good programming practice dictates that only one MPU at a time have control of the MVME197LE control registers. Of particular note are:

- registers that modify the address map;
- registers that require two cycles to access; and
- VMEbus interrupt request registers.

Local Reset Operation

Local reset (LRST) is a subset of system reset (SRST). Local reset can be generated five ways: by expiration of the watchdog timer, by pressing the front panel RESET switch (if the system controller function is disabled), by asserting a bit in the board control register in the GSCR, by SYSRESET*, or by power-up reset.

Note The GCSR allows a VMEbus master to reset the local bus. This feature is very dangerous and should be used with caution. The local reset feature is a partial system reset, not a complete system reset such as power-up reset or SYSRESET*. When the local bus reset signal is asserted, a local bus cycle may be aborted. The VMEchip2 is connected to both the local peripheral bus and the VMEbus and if the aborted cycle is bound for the VMEbus, erratic operation may result. Communications between the local processor and a VMEbus master should use interrupts or mailbox locations; reset should not be used in normal communications. Reset should be used only when the local processor is halted or the local peripheral bus is hung and reset is the last resort.

Any VMEbus access to the MVME197LE while it is in the reset state is ignored. If a global bus timer is enabled, a bus error is generated.

Introduction

This chapter provides a block diagram level description of the MVME197LE Single Board Computer. The functional description provides an overview of the module, followed by a detailed description of several blocks of the module. The block diagram for the MVME197LE is illustrated in Figure 4-1.

Descriptions of the other blocks of the MVME197LE module, including programmable registers in the ASICs and peripheral chips, are given in the *MVME197LE, MVME197DP, and MVME197SP Single Board Computers Programmer's Reference Guide*. Refer to it for the rest of the functional description of the MVME197LE module.

MVME197LE Functional Description

The MVME197LE module is a high functionality VMEbus single board computer based on the MC88110 second generation RISC microprocessor. The MVME197LE has 32/64MB of DRAM, 1MB of FLASH memory, 128/256KB of BOOT ROM, 8KB of static RAM (with battery backup), a time of day clock (with battery backup), an Ethernet transceiver interface, four serial ports with EIA-232-D interface, six tick timers, a watchdog timer, a SCSI bus interface with DMA (Direct Memory Access), a Centronics printer port, an A16/A24/A32/D8/D16/D32 VMEbus master/slave interface, and a VMEbus system controller.

Data Bus Structure

The local data bus on the MVME197LE module is designed to accommodate the various 8-bit, 16-bit, and 32-bit devices that reside on the module. Refer to the *MVME197LE, MVME197DP, and MVME197SP Single Board Computers Programmer's Reference Guide* and to the specific sections of this user's manual for each device to determine its port size, the data bus connection, and any restrictions that apply when accessing the specific device.

MC88110 MPU

The MVME197LE is based on the MC88000 family and uses one MC88110 RISC microprocessor unit. Refer to the *MC88110 Second Generation RISC Microprocessor User's Manual* for more information.

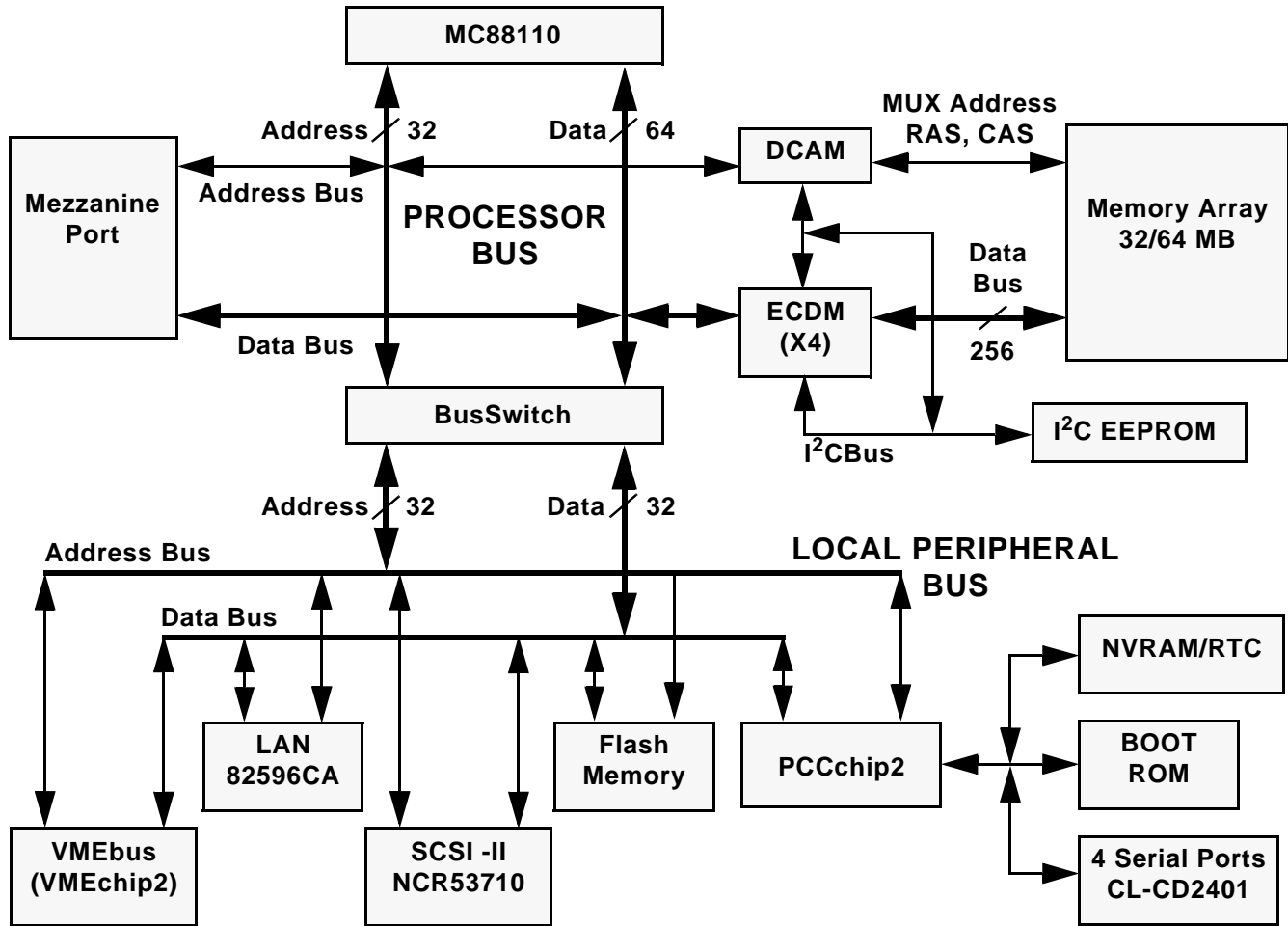


Figure 4-1. MVME197LE Block Diagram

BOOT ROM

Currently a socket (socket will be removed from module in later board revisions) for a 32-pin PLCC/CLCC ROM/EPROM referred to as BOOT ROM or DROM (Download ROM) is provided. It is organized as a 128K x 8 device, but as viewed from the processor it looks like a 16K x 64 memory. This memory is mapped starting at location \$FFF80000, but after a local reset it is also mapped at location 0, providing a reset vector and bootstrap code for the processor. The DR0 bit in the General Control Register (GCR) of the PCCchip2 must be cleared to disable the BOOT ROM memory map at 0.

FLASH Memory

Up to 1MB of FLASH memory is available on the board. FLASH memory works like EPROM, but can be erased and reprogrammed by software. It is organized as 32 bits wide, but to the processor it looks as 64 bits wide. It is mapped at location \$FF800000. Reads can be of any size, including burst transfers, but writes are always 32 bits wide, regardless of the size specified for the transfer. For this reason, software should only use 32-bit write transfers. This memory is controlled by the BusSwitch, and the memory size, access time, and write enable capability can be programmed via the ROM Control Register (ROMCR) in the BusSwitch. The FLASH memory can be accessed from the processor bus only. It is not accessible from the local peripheral bus or VMEbus.

Onboard DRAM

The MVME197LE onboard DRAM (2 banks of 32MB memory, one optionally installed) is sized at 32MB using 1M x 4 devices and configured as 256 bits wide. The DRAM is four-way interleaved to efficiently support cache burst cycles. The DRAM is controlled by the DCAM and ECDM, and the map decoders in the DCAM can be programmed through the I²Cbus interface in the ECDM to accommodate different base address(es) and sizes. The onboard DRAM is not reset by a local peripheral bus reset. Refer to the *DCAM* and *ECDM* chapters in the *MVME197LE, MVME197DP, and MVME197SP Single Board Computers Programmer's Reference Guide* for detailed programming information.

Battery Backup RAM and Clock

The MK48T08 RAM and clock chip is used on the MVME197LE. This chip provides a time of day clock, oscillator, crystal, power fail detection, memory write protection, 8KB of RAM, and a battery in one 28-pin package. The clock provides seconds, minutes, hours, day, date, month, and year in BCD 24-hour

format. Corrections for 28-, 29-, (leap year) and 30-day months are automatically made. No interrupts are generated by the clock. The MK48T08 is an 8-bit device; however the interface provided by the PCCchip2 supports 8-, 16-, and 32-bit accesses to the MK48T08. Refer to the *PCCchip2* chapter in the *MVME197LE, MVME197DP, and MVME197SP Single Board Computers Programmer's Reference Guide* and to the MK48T08 data sheet for detailed programming information.

VMEbus Interface

The local peripheral bus to VMEbus interface, the VMEbus to local peripheral bus interface, and the local-VMEbus DMA controller functions on the MVME197LE are provided by the VMEchip2. The VMEchip2 can also provide the VMEbus system controller functions. Refer to the *VMEchip2* chapter in the *MVME197LE, MVME197DP, and MVME197SP Single Board Computers Programmer's Reference Guide* for detailed programming information.

I/O Interfaces

The MVME197LE provides onboard I/O for many system applications. The I/O functions include serial ports, a printer port, an Ethernet transceiver interface, and a SCSI mass storage interface.

Serial Port Interface

The CD2401 serial controller chip (SCC) is used to implement the four serial ports. The serial ports support the standard baud rates (110 to 38.4K baud). Serial port 4 also supports synchronous modes of operation.

The four serial ports are different functionally because of the limited number of pins on the I/O connector.

Serial port 1 is a minimum function asynchronous port. It uses RXD, CTS, TXD, and RTS.

Serial ports 2 and 3 are full function asynchronous ports. They use RXD, CTS, DCD, TXD, RTS, and DTR.

Serial port 4 is a full function asynchronous or synchronous port. It can operate at synchronous bit rates up to 64k bits per second. It uses RXD, CTS, DCD, RTS, and DTR. It also interfaces to the synchronous clock signal lines.

Refer to the *MVME197LE, MVME197DP, and MVME197SP Single Board Computers Programmer's Reference Guide* for drawings of the serial port interface connections.

All four serial ports use EIA-232-D drivers and receivers located on the main board, and all the signal lines are routed to the I/O connector. The configuration headers are located on the MVME712X transition board. An external I/O transition board such as the MVME712X should be used to convert the I/O connector pinout to industry-standard connectors.

The interface provided by the PCCchip2 allows the 16-bit CD2401 to appear at contiguous addresses; however, accesses to the CD2401 must be 8 or 16 bits. 32-bit accesses are not permitted. Refer to the CD2401 data sheet and to the *PCCchip2* chapter in the *MVME197LE, MVME197DP, and MVME197SP Single Board Computers Programmer's Reference Guide* for detailed programming information.

The CD2401 supports DMA operations to local memory. Because the CD2401 does not support a retry operation necessary to break VMEbus lock conditions, the CD2401 DMA controllers should not be programmed to access the VMEbus. The hardware does not restrict the CD2401 to onboard DRAM.

Printer Interface

The MVME197LE has a Centronics-compatible printer interface. The printer interface is provided by the PCCchip2. Refer to the *PCCchip2* chapter in the *MVME197LE, MVME197DP, and MVME197SP Single Board Computers Programmer's Reference Guide* for detailed programming information and for drawings of the printer port interface connections.

Ethernet Interface

The 82596CA is used to implement the Ethernet transceiver interface. The 82596CA accesses local RAM using DMA operations to perform its normal functions. Because the 82596CA has small internal buffers and the VMEbus has an undefined latency period, buffer overrun may occur if the DMA is programmed to access the VMEbus. Therefore, the 82596CA should not be programmed to access the VMEbus.

Every MVME197LE module is assigned an Ethernet Station Address. This address is \$08003E2XXXXX, where XXXXX is the unique 5-nibble number assigned to the board (i.e., every MVME197LE has a different value for XXXXX).

The Ethernet Station Address is displayed on a label attached to the VMEbus P2 connector. In addition, the eight bytes including the Ethernet address are stored in the configuration area of the BBRAM, with the two lower bytes of those set to 0. That is, 08003E2XXXXX0000 is stored in the BBRAM. At an address of \$FFFC1F2C, the upper four bytes (08003E2X) can be read. At an address of \$FFFC1F30, the lower four bytes (XXXX0000) can be read. Refer to

the BBRAM, TOD Clock memory map description in the *Operating Instructions* chapter of this manual. The MVME197LE debugger has the capability to retrieve or set the Ethernet address.

If the data in the BBRAM is lost, the user should use the number on the VMEbus P2 connector label to restore it. Refer to the *MVME197BUG 197Bug Debugging Package User's Manual*.

The Ethernet transceiver interface is located on the MVME197LE main module, and the industry standard connector is located on the MVME712X transition module.

Support functions for the 82596CA are provided by the PCCchip2. Refer to the *82596CA LAN Coprocessor User's Manual* and to the *PCCchip2* chapter in the *MVME197LE, MVME197DP, and MVME197SP Single Board Computers Programmer's Reference Guide* for detailed programming information.

SCSI Interface

The MVME197LE provides for mass storage subsystems through the industry-standard SCSI bus. These subsystems may include hard and floppy disk drives, streaming tape drives, and other mass storage devices. The SCSI interface is implemented using the NCR 53C710 SCSI I/O controller.

Support functions for the 53C710 are provided by the PCCchip2. Refer to the *NCR 53C710 SCSI I/O Processor Data Manual* and to the *PCCchip2* chapter in the *MVME197LE, MVME197DP, and MVME197SP Single Board Computers Programmer's Reference Guide* for detailed programming information.

SCSI Termination

The system configurer must ensure that the SCSI bus is terminated properly. On the MVME197LE, the terminators are located on the P2 transition board. The +5V power to the SCSI bus termination resistors is provided by the P2 transition board.

Peripheral Resources

The MVME197LE includes many resources for the local processor. These include tick timers, software programmable hardware interrupts, watchdog timer, and local peripheral bus timeout.

Programmable Tick Timers

Six 32-bit programmable tick timers with 1 μ sec resolution are provided, two in the BusSwitch, two in the VMEchip2, and two in the PCCchip2. The tick timers can be programmed to generate periodic interrupts to the processor.

Refer to the *VMEchip2*, *PCCchip2*, and *BusSwitch* chapters in the *MVME197LE*, *MVME197DP*, and *MVME197SP Single Board Computers Programmer's Reference Guide* for detailed programming information.

Watchdog Timer

A watchdog timer function is provided in the VMEchip2. When the watchdog timer is enabled, it must be reset by software within the programmed time or it times out. The watchdog can be programmed to generate a SYSRESET* signal, local reset signal, or board fail if it times out. Refer to the *VMEchip2* chapter in the *MVME197LE*, *MVME197DP*, and *MVME197SP Single Board Computers Programmer's Reference Guide* for detailed programming information.

Software-Programmable Hardware Interrupts

Eight software-programmable hardware interrupts are provided by the VMEchip2. These interrupts allow software to create a hardware interrupt. Refer to the *VMEchip2* chapter in the *MVME197LE*, *MVME197DP*, and *MVME197SP Single Board Computers Programmer's Reference Guide* for detailed programming information.

Processor Bus Timeout

The BusSwitch provides a bus timeout circuit for the processor bus. When enabled by the BTIMER register in the BusSwitch, the timer starts counting when DBB* is asserted, and if the cycle is not terminated (TA*, TEA*, or TRTRY* asserted) before the programmed timeout period, TEA* is asserted. This timer is disabled if the access goes to the local peripheral bus.

Local Peripheral Bus Timeout

The MVME197LE provides a timeout function for the processor bus (MC88110 bus) and for the local peripheral bus (MC68040 compatible bus). When the timer is enabled and a bus access times out, a Transfer Error Acknowledge (TEA) signal is generated. The timeout value is selectable by software for 8 μ sec, 64 μ sec, 256 μ sec, or infinite for the local peripheral bus. The local peripheral bus timer does not operate during VMEbus bound cycles. VMEbus bound cycles are timed by the VMEbus access timer and the VMEbus global timer.

Interrupt Sources

MVME197LE MPU interrupts are channeled through the BusSwitch. They may come from internal BusSwitch sources as well as from the PCCchip2 (IPL inputs to the BusSwitch), the VMEchip2 (XIPL inputs to the BusSwitch), and

other external sources (PALINT and IRQ). The BusSwitch may also generate the non-maskable interrupt (NMI) signal to the MPU from the ABORT push-button switch. Refer to the *BusSwitch*, *PCCchip2*, and *VMEchip2* chapters in the *MVME197LE, MVME197DP, and MVME197SP Single Board Computers Programmer's Reference Guide* for more detailed information.

EIA-232-D INTERCONNECTIONS

A

The EIA-232-D Standard is the most widely used interface between terminals and computers or modems, and yet it is not fully understood. This is because all the lines are not clearly defined, and many users do not see the need to conform for their applications. A system should easily connect to any other. Many times designers think only of their own equipment, but the state-of-the-art is computer-to-computer or computer-to-modem operation.

The DIA-232-D Standard was originally developed by the Bell System to connect terminals via modems. Therefore, several handshaking lines were included. In many applications these are not needed, but since they permit diagnosis of problems, they are included in many applications.

Table A-1 lists the standard DIA-232-D interconnections. To interpret this information correctly it is necessary to know that EIA-232-D is intended to connect a terminal to a modem. When computers are connected to computers without modems, one of them must be configured as a terminal and the other as a modem. Because computers are normally configured to work with terminals, they are said to be configured as a modem. Also, the signal levels must be between +3 and +15 volts for a high level, and between -3 and -15 volts for a low level. Any attempt to connect units in parallel may result in out of range voltages and is not allowed by the EIA-232-D specifications.

Table A-1. EIA-232-D Interconnections

Pin Number	Signal Mnemonic	Signal Name and Description
1	---	Not used.
2	TXD	TRANSMIT DATA - data to be transmitted is furnished on this line to the modem from the terminal.
3	RCD	RECEIVE DATA - data which is demodulated from the receive line is presented to the terminal by the modem.
4	RTS	REQUEST TO SEND - RTS is supplied by the terminal to the modem when required to transmit a message. With RTS off, the modem carrier remains off. When RTS is turned on, the modem immediately turns on the carrier.
5	CTS	CLEAR TO SEND - CTS is a function supplied to the terminal by the modem which indicates that it is permissible to begin transmission of a message. When using a modem, CTS follows the off-to-on transition of RTS after a time delay.
6	DSR	DATA SET READY - data set ready is a function supplied by the modem to the terminal to indicate that the modem is ready to transmit data.
7	SIG-GND	SIGNAL GROUND - common return line for all signals at the modem interface.
8	DCD	DATA CARRIER DETECT - sent by the modem to the terminal to indicate that a valid carrier is being received.
9-14	---	Not used.
15	TXC	TRANSMIT CLOCK - this line clocks output data to the modem from the terminal.
16	---	Not used.
17	RXC	RECEIVE CLOCK - this line clocks input data from a terminal to a modem.
18,19	---	Not used.
20	DTR	DATA TERMINAL READY - a signal from the terminal to the modem indicating that the terminal is ready to send or receive data.
21	---	Not used.

Table A-1. EIA-232-D Interconnections (Continued)

Pin Number	Signal Mnemonic	Signal Name and Description
22	RI	RING INDICATOR - RI is sent by the modem to the terminal. This line indicates to the terminal that an incoming call is present. The terminal causes the modem to answer the phone by carrying DTR true while RI is active.
23	---	Not used.
24	TXC	TRANSMIT CLOCK - Same as TXC on pin 15.
25	BSY	BUSY - a positive EIA signal applied to this pin causes the modem to go off-hook and make the associated phone busy.

Notes

1. **High level = +3 to +15 volts. Low level = -3 to -15 volts.**
2. **EIA-232-D is intended to connect a terminal to a modem. When computers are connected to computers without modems, one of the computers must be configured as a modem and the other as a terminal.**

There are several levels of conformance that are appropriate for typical EIA-232-D interconnections. The bare minimum requirement is the two data lines and a ground. The full version of EIA-232-D requires 12 lines and accommodates automatic dialing, automatic answering, and synchronous transmission. A middle-of-the-road approach is illustrated in Figure A-1.

One set of handshaking signals frequently implemented are RTS and CTS. CTS is used in many systems to inhibit transmission until the signal is high. In the modem applications, TRS is turned around and returned as TRS after 150 microseconds. RTS is programmable in some systems to work with the older type 202 modem (half duplex). CTS is used in some systems to provide flow control to avoid buffer overflow. This is not possible if modems are used. It is usually necessary to make CTS high by connecting it to RTS or to some source of +12 volts such as the resistors shown in Figure A-1. It is also frequently jumpered to an MC1488 gate which has its inputs grounded (the gate is provided for this purpose). Another signal used in many systems is DCD. The original purpose of this signal was to tell the system that the carrier tone from the distant modem was being received. This signal is frequently used by the software to display a message like CARRIER NOT PRESENT to help the user to diagnose failure to communicate. Obviously, if the system is designed properly to use this signal, and it is not connected to a modem, the signal must

be provided by a pull-up resistor or gate as described before (see Figure A-1). Many modems expect a DTR high signal and issue a DSR. These signals are used by software to help prompt the operator about possible causes of trouble. The DTR signal is used sometimes to disconnect the phone circuit in preparation for another automatic call. It is necessary to provide these signals in order to talk to all possible modems (see Figure A-1). Figure A-1 is a good minimum configuration that almost always works. If the CTS and DCD signals are not received from the modem, the jumpers can be moved to artificially provide the needed signal. Figure A-2 shows a way that an EIA-232-D connector can be wired to enable a computer to connect to a basic terminal with only three wires. This is because most terminals have a DTR signal that is ON and can be used to pull-up the CTS, DCD and DSR signals. Two of these connectors wired back-to-back can be used. It must be realized that all the handshaking has been bypassed and possible diagnostic messages do not occur. Also, the TX and RX lines may have to be crossed since TX from a terminal is outgoing but the TX line on a modem is an incoming signal.

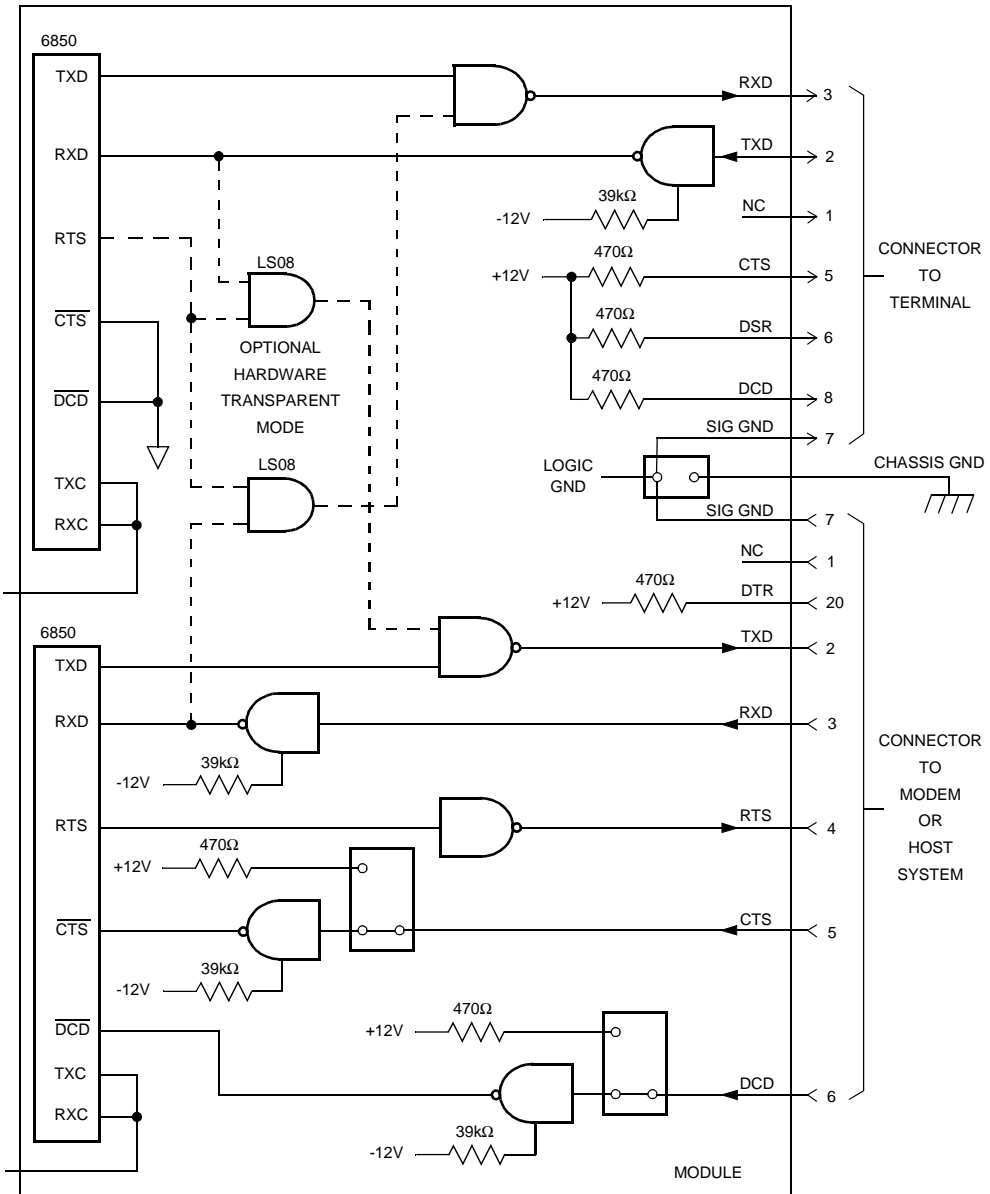


Figure A-1. Middle-of-the-Road EIA-232-D Configuration

Another subject that needs to be considered is the use of ground pins. There are two pins labeled GND. Pin 7 is the SIGNAL GROUND and must be connected to the distant device to complete the circuit. Pin 1 is the CHASSIS GROUND, but it must be used with care. The chassis is connected to the power ground through the green wire in the power cord and must be connected to the chassis to be in compliance with the electrical code. The problem is that when units are connected to different electrical outlets, there may be several volts difference in ground potential. If pin 1 of the devices are interconnected with a cable, several amperes of current could result. This not only may be dangerous for the small wires in a typical cable, but could result in electrical noise that could cause errors. That is the reason that Figure A-1 shows no connection for pin 1. Normally, pin 7 should only be connected to the CHASSIS GROUND at one point and, if several terminals are used with one computer, the logical place for that point is at the computer. The terminal should not have a connection between the logic ground return and the chassis.

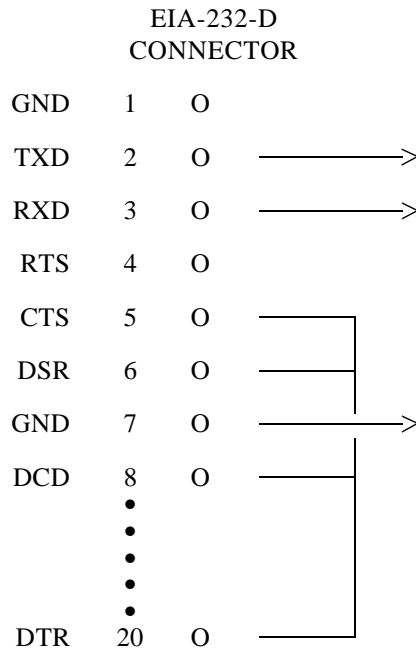


Figure A-2. Minimum EIA-232-D Connection

Index

When using this index, keep in mind that a page number indicates only where referenced material begins. It may extend to the page or pages following the page referenced.

Numerics

197Bug 2-3

53C710 SCSI Memory Map 3-17

82596CA Ethernet LAN Memory Map
3-16

A

ABORT Switch S2 3-1

address, ethernet station 4-5

B

Battery Backup RAM and Clock 4-3

BBRAM Configuration Area Memory
Map 3-18

BBRAM, TOD Clock Memory Map 3-19

BOOT ROM 2-5, 4-3

bus terminators, SCSI 4-6

BusSwitch ASIC 1-1

BusSwitch Register Memory Map 3-6

C

Cirrus Logic CD2401 Serial Port Memory
Map 3-15

Configuration Switch S1 2-3, 2-4

Configuration Switch S6 2-5

Connector P2 2-7

Connectors 1-4, 2-5

connectors, P1 and P2 2-5

Controls and Indicators 3-1

Cooling Requirements 1-4

D

Data Bus Structure 4-1

DCAM (I2C) Register Memory Map 3-8

DCAM ASIC 1-2

Detailed I/O Memory Maps 3-5
diagram(s)

MVME197LE Block 4-2

MVME197LE Switches, Connectors,
and LED Indicators Location
2-2

DROM (Download ROM) 4-3

E

ECDM ASIC 1-2

ECDM CSR Register Memory Map 3-7

Equipment Required 1-5

Ethernet Interface 4-5

Ethernet Station Address 4-5

F

FCC-compliant chassis 1-5

Features, MVME197LE 1-2

FFC Compliance 1-5

FLASH Memory 4-3

forced air cooling 1-4

Front Panel Indicators (DS1-DS6) 3-2

fuse (F2) 2-8

G

General Description, MVME197LE
module 1-1

General Information, Switch 2-3

H

hardware interrupt, VMEchip2 4-7

I

I/O Interfaces 4-4
 Installation Instructions 2-5
 installation, MVME197LE 2-6
 interfaces
 ethernet 4-5
 I/O 4-4
 printer 4-5
 SCSI 4-6
 serial port 4-4
 VMEbus 4-4
 introduction(s)
 Functional Description 4-1
 General Information 1-1
 Hardware Preparation and
 Installation 2-1
 Operating Instructions 3-1

L

LEDs, front panel 3-2
 Local Devices Memory Map 3-4
 local peripheral bus (MC68040
 compatible bus) 1-1
 Local Peripheral Bus Timeout 4-7

M

mapping
 Local Peripheral Bus (MC68040
 compatible bus) 3-2
 Processor Bus (MC88110 bus) 3-2
 VMEbus Masters 3-2
 MC88110 MPU 4-1
 MC88110 RISC microprocessor 1-1, 4-1
 memory map(s)
 BBRAM Configuration Area 3-18
 BBRAM/TOC Clock 3-17
 BusSwitch Register 3-6
 CD2401 Serial Port 3-15
 DCAM (I2C) 3-8
 ECDM CSR Register 3-7
 Ethernet LAN 3-16
 Local Devices 3-4

PCCchip2 3-13
 printer 3-14
 Processor Bus 3-3
 SCSI 3-17
 VMEchip2 3-9
 mezzanine connector 2-5
 MK48T08 BBRAM Memory 3-19
 MK48T08 BBRAM, TOD Clock Memory
 Map 3-17
 module expansion 2-5
 MVME197BUG 197Bug Debugging
 Package User's Manual 1-6, 3-20
 MVME197Bug debug monitor firmware
 (197Bug) 1-5
 MVME197LE Block Diagram 4-2
 MVME197LE Functional Description 4-1
 MVME197LE Module Installation 2-6
 MVME197LE registers 2-1
 MVME197LE Specifications 1-3
 MVME712M Transition Module and P2
 Adapter Board User's Manual
 2-5
 MVME712X 1-1
 MVME712-XX 1-1

N

Non-Volatile RAM Memory (NVRAM)
 3-19

O

Onboard DRAM 4-3
 Operating temperature 1-3

P

P1 and P2 connectors 2-6
 PCCchip2 ASIC 1-2
 PCCchip2 Memory Map 3-13
 Peripheral Resources 4-6
 Physical dimensions, board 1-4
 Power requirements 1-3
 Printer Interface 4-5
 Printer Memory Map 3-14

processor bus (MC88110 bus) 1-1
Processor Bus Memory Map 3-2, 3-3
Processor Bus Timeout 4-7
Programmable Tick Timers 4-6

R

Relative humidity 1-3
RESET switch (S3) 3-1

S

SCSI Interface 4-6
SCSI Termination 4-6
Serial Port Interface 4-4
Software-Programmable Hardware
 Interrupts 4-7
specifications, MVME197LE 1-3
Storage temperature 1-3
Support Information 1-6
switch settings 2-1
switch(es)
 ABORT (S2) 3-1
 Configuration S1 2-3
 Configuration S6 2-5
 front panel 3-1
 general purpose functions 2-4
 LED 3-2
 RESET (S3) 3-1
 serial port 4 clock select 2-5
 system controller enable function 2-4
Switches, Connectors, and LED
 Indicators Location Diagram 2-2
System Considerations 2-7
system controller 2-4, 2-6
SYSTEM V/88 operating system 3-19

T

terminal to modem interface A-1
tick timer, programmable 4-6
time-of-day (TOD) clock 3-19
TOD Clock Memory 3-19
transition boards 1-1

U

Unpacking Instructions 2-1

V

VMEbus Interface 4-4
VMEchip2 ASIC 1-2
VMEchip2 Memory Map 3-9
VMEsystem 3000 chassis 1-4

W

Watchdog Timer 4-7

