



Artisan Technology Group is your source for quality new and certified-used/pre-owned equipment

- FAST SHIPPING AND DELIVERY
- TENS OF THOUSANDS OF IN-STOCK ITEMS
- EQUIPMENT DEMOS
- HUNDREDS OF MANUFACTURERS SUPPORTED
- LEASING/MONTHLY RENTALS
- ITAR CERTIFIED SECURE ASSET SOLUTIONS

SERVICE CENTER REPAIRS

Experienced engineers and technicians on staff at our full-service, in-house repair center

*InstraView*SM REMOTE INSPECTION

Remotely inspect equipment before purchasing with our interactive website at www.instraview.com ↗

WE BUY USED EQUIPMENT

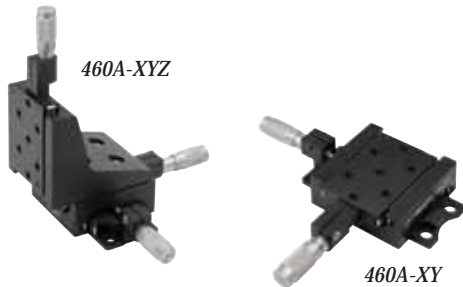
Sell your excess, underutilized, and idle used equipment. We also offer credit for buy-backs and trade-ins. www.artisanng.com/WeBuyEquipment ↗

LOOKING FOR MORE INFORMATION?

Visit us on the web at www.artisanng.com ↗ for more information on price quotations, drivers, technical specifications, manuals, and documentation

Contact us: (888) 88-SOURCE | sales@artisanng.com | www.artisanng.com

460A Series Low-Profile Integrated Ball Bearing Linear Stages



Order actuators separately.

- Compact, low profile 0.5 in. (13 mm) travel stage
- Precision ball bearing movements
- Angular deviation better than 150 μ rad about any axis
- Left- and right-hand configurations
- Compatible with Newport manual and motorized actuators

The 460A Series Low-Profile Integrated Ball Bearing Linear Stages have an integrated, yet modular, design allowing for increased versatility. The XY Model is integrated not only for precise, orthogonal motion but also for exceptionally low profile. The Z Axis Stage/Bracket is user removable allowing conversion of an XYZ Model to an XY Model or conversion of an XZ Model to an X Model. The 460A features all aluminum construction with hardened ball bearings running along opposing pairs of polished and hardened stainless steel rods. This offers exceptional straightness of travel, but a lower load capacity than our crossed-roller bearing stages. The stages are spring loaded against the drive actuator for backlash free motion. Vertical-drive assemblies carry the load through the actuator spindle rather than the springs for positive load support.

Specifications

Maximum Stage Travel [in. (mm)]	0.5 (13)
Angular Deviation (μ rad)	<150
Max Centered Load [lb (N)]	15 (67)
Load Capacity, Vertical (XYZ, XZ) [lb (N)]	5 (22)

Ordering Information

Stages

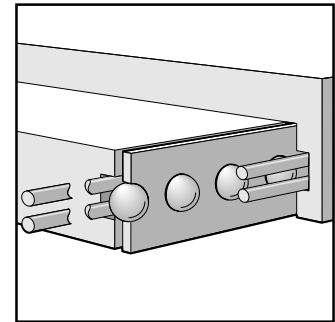
Model (Metric)	Actuators Required*
460A-X (M-460A-X)	1
460A-XY (M-460A-XY)	2
460A-XZ (M-460A-XZ)	2
460A-XYZ (M-460A-XYZ)	3

* Actuators must be ordered separately

Left-handed versions of the XY and XYZ Stages are available by appending "-LH" to the model number (e.g., 460A-XY-LH)

Recommended Actuators

Manual Drives	Description	Travel (mm)	Sensitivity (μ m)
AJS100-0.5	Fine Adjustment Screw	12.7	0.6 - 0.75
AJS127-0.5	Fine Adjustment Screw	12.7	0.6
SM-13	Micrometer	13	1
HR-13	High-Resolution Micrometer	13	0.5
DM-13	Differential Micrometer	13	0.1
DM-13L	Differential Micrometer	13	0.1
Motorized Drives			
CMA Series	Motorized Actuator	12.5–25	0.2–0.5
LTA-HS	Motorized Actuator	50	0.1
PZA12 Actuator	NanoPZ actuator, 12.5 mm travel	12.5	0.03



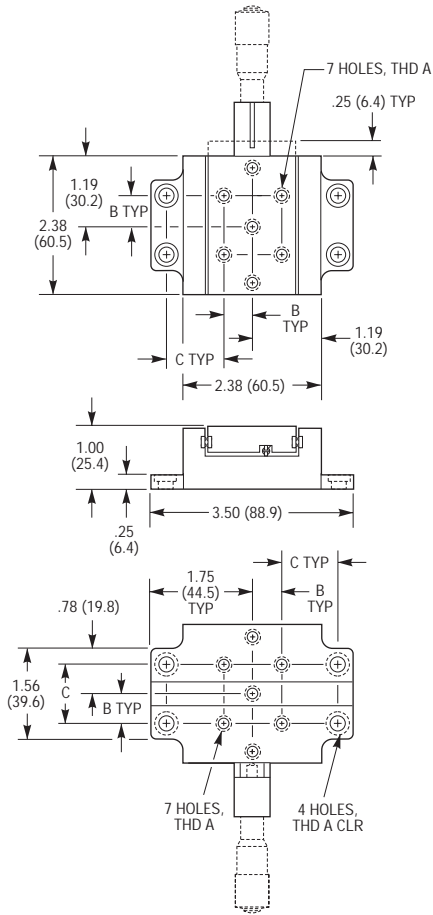
Preloaded precision ball bearing movements provide reduced friction and capability to make small controlled movements. Bearings are captured in hardened steel rod guides.



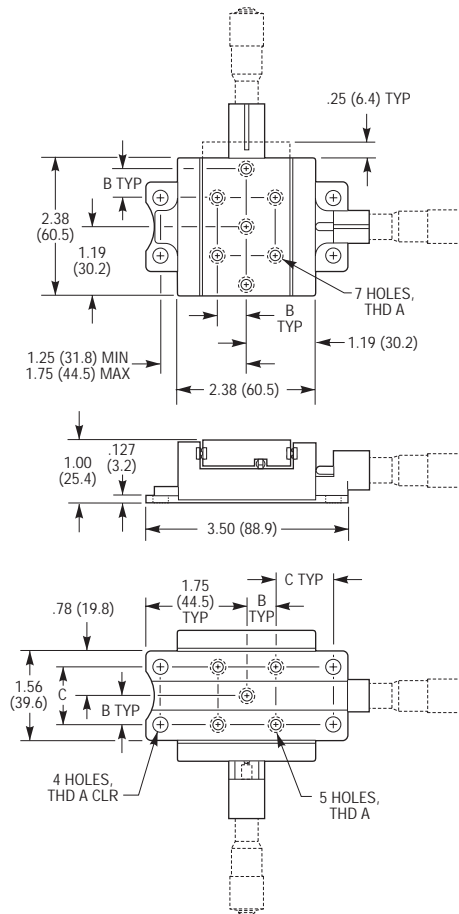
460A-XZ shown with SM-13 micrometers.

CAD See our website
for CAD files

Model 460A-X



Model 460A-XY
(RH shown, LH opposite)



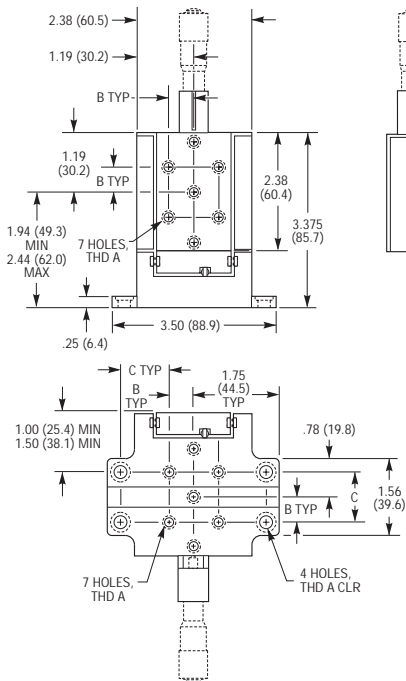
DM-13 Differential Micrometer (see page 928)



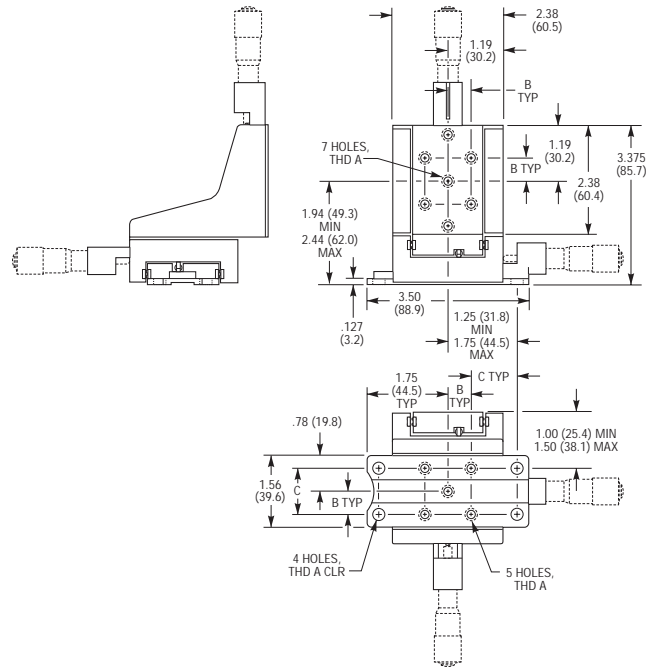
CMA Stepper-motor, Open- and Closed-Loop DC Actuators (see page 839)

Model (Metric)	Thread Dimensions [in. (mm)]		
	A	B	C
460A-X (M-460A-X)	1/4-20 (M6)	0.500 (12.5)	1.000 (25.0)
460A-XY (M-460A-XY)	1/4-20 (M6)	0.500 (12.5)	1.000 (25.0)
460A-XZ (M-460A-XZ)	1/4-20 (M6)	0.500 (12.5)	1.000 (25.0)
460A-XYZ (M-460A-XYZ)	1/4-20 (M6)	0.500 (12.5)	1.000 (25.0)

Model 460A-XZ



Model 460A-XYZ
(RH shown, LH opposite)



MANUAL LINEAR STAGES

MANUAL ROTATION AND TILT STAGES

MANUAL ACTUATORS

MANUAL FIBER ALIGNMENT



Artisan Technology Group is your source for quality new and certified-used/pre-owned equipment

- FAST SHIPPING AND DELIVERY
- TENS OF THOUSANDS OF IN-STOCK ITEMS
- EQUIPMENT DEMOS
- HUNDREDS OF MANUFACTURERS SUPPORTED
- LEASING/MONTHLY RENTALS
- ITAR CERTIFIED SECURE ASSET SOLUTIONS

SERVICE CENTER REPAIRS

Experienced engineers and technicians on staff at our full-service, in-house repair center

*InstraView*SM REMOTE INSPECTION

Remotely inspect equipment before purchasing with our interactive website at www.instraview.com ↗

WE BUY USED EQUIPMENT

Sell your excess, underutilized, and idle used equipment. We also offer credit for buy-backs and trade-ins. www.artisanng.com/WeBuyEquipment ↗

LOOKING FOR MORE INFORMATION?

Visit us on the web at www.artisanng.com ↗ for more information on price quotations, drivers, technical specifications, manuals, and documentation

Contact us: (888) 88-SOURCE | sales@artisanng.com | www.artisanng.com