



Artisan Technology Group is your source for quality new and certified-used/pre-owned equipment

- FAST SHIPPING AND DELIVERY
- TENS OF THOUSANDS OF IN-STOCK ITEMS
- EQUIPMENT DEMOS
- HUNDREDS OF MANUFACTURERS SUPPORTED
- LEASING/MONTHLY RENTALS
- ITAR CERTIFIED SECURE ASSET SOLUTIONS

SERVICE CENTER REPAIRS

Experienced engineers and technicians on staff at our full-service, in-house repair center

*InstraView*SM REMOTE INSPECTION

Remotely inspect equipment before purchasing with our interactive website at www.instraview.com ↗

WE BUY USED EQUIPMENT

Sell your excess, underutilized, and idle used equipment. We also offer credit for buy-backs and trade-ins. www.artisanng.com/WeBuyEquipment ↗

LOOKING FOR MORE INFORMATION?

Visit us on the web at www.artisanng.com ↗ for more information on price quotations, drivers, technical specifications, manuals, and documentation

Contact us: (888) 88-SOURCE | sales@artisanng.com | www.artisanng.com

625 Series

Rod-Mount Kinematic Mirror Mounts



- Precise beam positioning for large mirrors
- Front surface of mirror lines up over table hole pattern
- Orthogonal 10° angular adjustment range
- Access hole located on back of mount for quick and easy mirror removal

625-RC Series Mirror Mounts are rod-mountable devices that provide vertical positioning flexibility and convenience for large diameter mirrors. They are compatible with Newport's rod models 40, 41, 42, and 45 as well as the new SR-series Magnetic Pedestal Rods and incorporate the same stable kinematic design as our 600A Series Optical Mounts, with hardened kinematic contacts at all three support points. The standard versions are configured with 100-TPI precision AJS-series Adjustment Screws. Where a direct reading is desired, SM Micrometer versions are available simply by appending "-M" to the part number.

Specifications

	625-RC2	625-RC4	625-RC6
Angular Range (°)	±10	±10	±10
Sensitivity (arc sec)	2.5	2.5	2.5
Optic Diameter [in. (mm)]	2.0 (50.8)	4.0 (101.6)	6.0 (152.4)

Ordering Information

Model	Description
Rod-Mount Kinematic Mirror Mounts	
625-RC2	Rod Mounted Mirror Mount, 2.0 in. Diameter, Knob Adjustment
625-RC2-M	Rod Mounted Mirror Mount, 2.0 in. Diameter, Micrometer Adjustment
625-RC4	Rod Mounted Mirror Mount, 4.0 in. Diameter, Knob Adjustment
625-RC4-M	Rod Mounted Mirror Mount, 4.0 in. Diameter, Micrometer Adjustment
625-RC6	Rod Mounted Mirror Mount, 6.0 in. Diameter, Knob Adjustment
625-RC6-M	Rod Mounted Mirror Mount, 6.0 in. Diameter, Micrometer Adjustment
Optic Diameter Adapters	
A-2-1	Optical Mount Adaptor, 50.8mm to 25.4mm (2 to 1 inch)
A-2-1.5	Optical Mount Adaptor, 50.8mm to 38.1mm (2 to 1.5 inch)
A-4-3	Optical Mount Adaptor, 101.6mm to 76.2mm (4 to 3 inch)

625 Series Mirror Mounts are compatible with rod models 40, 41, 42, 45 and the SR-series Rods

Model	Dimensions [in. (mm)]		
	A	B	C
625-RC4	4.063 (103.2)	4.60 (116.8)	0.700 (17.8)
625-RC6	6.063 (154.0)	6.60 (167.6)	0.925 (23.5)

Related Products

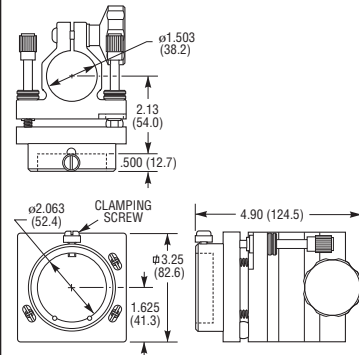


625-RC4
625-RC6
Order rods separately (see page 994)

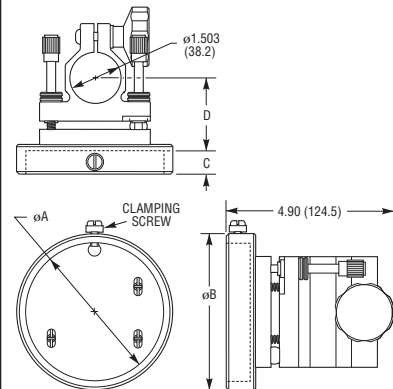


600 Series configurable large diameter mounts (see www.newport.com)

Model 625-RC2



Model 625-RC4/RC6



CAD See our website for CAD files



SR-series Magnetic Pedestal Rods

MIRROR MOUNTS

LENS MOUNTS

SPECIALTY OPTICAL MOUNTS

RAIL SYSTEMS

MECHANICAL OPTICS

ACCESSORIES

BASES, BRACKETS AND CLAMPS

OPTICAL POSTS AND RODS

COMPONENT SETS

FILTER MOUNTS



Artisan Technology Group is your source for quality new and certified-used/pre-owned equipment

- FAST SHIPPING AND DELIVERY
- TENS OF THOUSANDS OF IN-STOCK ITEMS
- EQUIPMENT DEMOS
- HUNDREDS OF MANUFACTURERS SUPPORTED
- LEASING/MONTHLY RENTALS
- ITAR CERTIFIED SECURE ASSET SOLUTIONS

SERVICE CENTER REPAIRS

Experienced engineers and technicians on staff at our full-service, in-house repair center

*InstraView*SM REMOTE INSPECTION

Remotely inspect equipment before purchasing with our interactive website at www.instraview.com ↗

WE BUY USED EQUIPMENT

Sell your excess, underutilized, and idle used equipment. We also offer credit for buy-backs and trade-ins. www.artisanng.com/WeBuyEquipment ↗

LOOKING FOR MORE INFORMATION?

Visit us on the web at www.artisanng.com ↗ for more information on price quotations, drivers, technical specifications, manuals, and documentation

Contact us: (888) 88-SOURCE | sales@artisanng.com | www.artisanng.com