



## Artisan Technology Group is your source for quality new and certified-used/pre-owned equipment

- FAST SHIPPING AND DELIVERY
- TENS OF THOUSANDS OF IN-STOCK ITEMS
- EQUIPMENT DEMOS
- HUNDREDS OF MANUFACTURERS SUPPORTED
- LEASING/MONTHLY RENTALS
- ITAR CERTIFIED SECURE ASSET SOLUTIONS

### SERVICE CENTER REPAIRS

Experienced engineers and technicians on staff at our full-service, in-house repair center

### *InstraView*<sup>SM</sup> REMOTE INSPECTION

Remotely inspect equipment before purchasing with our interactive website at [www.instraview.com](http://www.instraview.com) ↗

### WE BUY USED EQUIPMENT

Sell your excess, underutilized, and idle used equipment. We also offer credit for buy-backs and trade-ins. [www.artisanng.com/WeBuyEquipment](http://www.artisanng.com/WeBuyEquipment) ↗

### LOOKING FOR MORE INFORMATION?

Visit us on the web at [www.artisanng.com](http://www.artisanng.com) ↗ for more information on price quotations, drivers, technical specifications, manuals, and documentation

**Contact us:** (888) 88-SOURCE | [sales@artisanng.com](mailto:sales@artisanng.com) | [www.artisanng.com](http://www.artisanng.com)



# Digital Arc Lamp Power Supplies

ARC SOURCES

INCANDESCENT SOURCES

DEUTERIUM SOURCES

CALIBRATION SOURCES

FIBER SOURCES

MONOCHROMATOR SOURCES

PHOTOLITHOGRAPHY INSTRUMENTS

ORIEL LIGHT SOURCE ACCESSORIES



69900 Series Digital Arc Lamp Power Supply

- Highly regulated source of constant current or power for arc lamps rated to 1600 W
- Digital display of lamp power, current, voltage, and usage time
- Standard RS 232 and optional IEEE 488 (GPIB) PC interfaces for remote lamp operation and monitoring
- Power factor correction

The 69900 Series is our fully featured family of digital arc lamp power supplies. They offer superior performance, advanced features, and are small and light weight.

Output stability is critical for many spectroscopic applications. The power supply's contribution to output stability is significant. The output of these power supplies changes by less than 0.02% even for large swings in the line voltage. Light ripple is <1% r.m.s. To minimize signal changes beyond the power supply's control, we recommend that you use our 68950 Light Intensity Controller (see page 277).

Power the lamp on and off; set the current/power preset and limit; and monitor the lamp's voltage, current, power, and operating time, all via your PC. These supplies include an RS 232 PC interface. An optional IEEE 488 (GPIB) interface board is available. Via one of these interfaces, you have full access to all the control and monitoring features of the power supply, from your computer. Analog signals are available for remote metering of voltage, current and power, as well as lamp start and stop, for users who do not wish to use a computer.

## The 69900 Series Operate These Arc Lamps

These supplies run our standard arc lamps from 50 to 1600 W. Refer to Table 1 to select the appropriate supply for your lamp. Our supplies can also run a number of lamps not offered by Newport. Please contact us if you need to operate a lamp not shown in Table 1, and for our OEM power supply offering.

**Table 1 Lamps Operated by 69900 Series Power Supplies**

This Power Supply	Operates These Lamps
69907 Universal Supply	75 W Xenon
	100 W Xenon
	150 W Xenon
	50 W Mercury
	100 W Mercury
	200 W Mercury
	200 W Mercury (Xenon)
69910 Mercury Supply	200 W Mercury
	350 W Mercury
	500 W Mercury
69911 Xenon Supply	300 W Xenon
	200 W Mercury (Xenon)
	500 W Mercury (Xenon)
69920 Universal Supply	450 W Xenon
	500 W Xenon
	1000 W Xenon
	1000 W Mercury
	500 W Mercury (Xenon)
	1000 W Mercury (Xenon)
69922 Universal Supply	1000 W Xenon
	1000 W Mercury
	1000 W Mercury (Xenon)
	1600 W Xenon

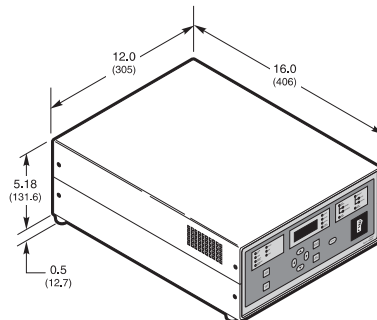


Fig. 1 Dimensional diagram of 69900 Series Arc Lamp Power Supplies.

## Specifications

Model	69907	69910	69911	69920	69922
Power Factor	>0.99	>0.99	>0.99	>0.99	>0.99
Input Voltage	95 - 264 VAC				
Input Current	4 A	8 A	8 A	15 A	12 A
Input Frequency	47 - 63 Hz	47 - 63 Hz	47 - 63 Hz	47 - 63 Hz	47 - 63 Hz
Output Power	40 - 300 W	160 - 600 W	160 - 600 W	350 - 1200 W	800 - 1800 W
Output Current	1.5 - 12 A	3 - 12 A	6.5 - 24 A	17.5 - 55 A	25 - 70 A
Output Voltage Range	0 - 70 VDC	0 - 90 VDC	0 - 45 VDC	0 - 45 VDC	0 - 30 VDC
Line Regulation	0.01%	0.01%	0.01%	0.01%	0.01%
Output Voltage Ripple	<0.1% rms	1.0% rms	<0.1% rms	<0.1% rms	<0.1% rms
Light Ripple	<0.5% rms	<1% rms	<1% rms	<1% rms	<1% rms
Meter Accuracy (% of full scale)	<0.05%	<0.05%	<0.05%	<0.05%	<0.05%
Digital Meter Resolution, Voltage	0.1 VDC	0.1 VDC	0.1 VDC	0.1 VDC	0.1 VDC
Digital Meter Resolution, Power	1 W	1 W	1 W	1 W	1 W
Digital Meter Resolution, Current	0.1 A	0.1 A	0.1 A	0.1 A	0.1 A
Safety Interlock Voltage	12 VDC/GND	12 VDC/GND	12 VDC/GND	12 VDC/GND	12 VDC/GND
Operating Mode	Constant current or constant power	Constant current or constant power	Constant current or constant power	Constant current or constant power	Constant current or constant power
Ambient Operating Temperature	0 - 45° C	0 - 45° C	0 - 45° C	0 - 45° C	0 - 45° C
Weight lb (kg)	20 (9)	20 (9)	20 (9)	20 (9)	20 (9)

## Ordering Information

Model	Description
69907	Universal Arc Lamp Power Supply, 50 to 200 Watt
69910	Mercury Arc Lamp Power Supply, 200 to 500 Watt
69911	Xenon Arc Lamp Power Supply, 200 to 500 Watt
69920	Universal Arc Lamp Power Supply, 450 to 1000 Watt
69922	Universal Arc Lamp Power Supply, 800 to 1800 Watt
69900	IEEE-488 Interface Board, Universal Arc Lamp Source
69895	19 inch Rack Mounting Kit, 3U Height

**WED** See our website  
for more info

ARC  
SOURCESINCANDESCENT  
SOURCESDEUTERIUM  
SOURCESCALIBRATION  
SOURCESFIBER  
SOURCESMONOCHROMATOR  
SOURCESPHOTOLITHOGRAPHY  
INSTRUMENTSORIEL LIGHT SOURCE  
ACCESSORIES



## Artisan Technology Group is your source for quality new and certified-used/pre-owned equipment

- FAST SHIPPING AND DELIVERY
- TENS OF THOUSANDS OF IN-STOCK ITEMS
- EQUIPMENT DEMOS
- HUNDREDS OF MANUFACTURERS SUPPORTED
- LEASING/MONTHLY RENTALS
- ITAR CERTIFIED SECURE ASSET SOLUTIONS

### SERVICE CENTER REPAIRS

Experienced engineers and technicians on staff at our full-service, in-house repair center

### *InstraView*<sup>SM</sup> REMOTE INSPECTION

Remotely inspect equipment before purchasing with our interactive website at [www.instraview.com](http://www.instraview.com) ↗

### WE BUY USED EQUIPMENT

Sell your excess, underutilized, and idle used equipment. We also offer credit for buy-backs and trade-ins. [www.artisanng.com/WeBuyEquipment](http://www.artisanng.com/WeBuyEquipment) ↗

### LOOKING FOR MORE INFORMATION?

Visit us on the web at [www.artisanng.com](http://www.artisanng.com) ↗ for more information on price quotations, drivers, technical specifications, manuals, and documentation

**Contact us:** (888) 88-SOURCE | [sales@artisanng.com](mailto:sales@artisanng.com) | [www.artisanng.com](http://www.artisanng.com)