



Artisan Technology Group is your source for quality new and certified-used/pre-owned equipment

- FAST SHIPPING AND DELIVERY
- TENS OF THOUSANDS OF IN-STOCK ITEMS
- EQUIPMENT DEMOS
- HUNDREDS OF MANUFACTURERS SUPPORTED
- LEASING/MONTHLY RENTALS
- ITAR CERTIFIED SECURE ASSET SOLUTIONS

SERVICE CENTER REPAIRS

Experienced engineers and technicians on staff at our full-service, in-house repair center

*InstraView*SM REMOTE INSPECTION

Remotely inspect equipment before purchasing with our interactive website at www.instraview.com ↗

WE BUY USED EQUIPMENT

Sell your excess, underutilized, and idle used equipment. We also offer credit for buy-backs and trade-ins. www.artisanng.com/WeBuyEquipment ↗

LOOKING FOR MORE INFORMATION?

Visit us on the web at www.artisanng.com ↗ for more information on price quotations, drivers, technical specifications, manuals, and documentation

Contact us: (888) 88-SOURCE | sales@artisanng.com | www.artisanng.com

Multi-Axis Universal Motor Driver



Key Features

- *6 axes of DC and stepper motor driving in a rack-mountable enclosure*
- *250x micro-stepping for vibration sensitive stepper motor applications*
- *Driver cards can be added or removed without the use of tools*
- *Modular driver design is easy to upgrade as needs change*

The UNIDRIV6000 is a rack-mountable six-axis universal motor driver. Used in conjunction with Newport's ESP6000 motion controller, the UNIDRIV6000 can drive up to six-axes of motion using any combination of DC and/or stepper motors. A single, universal motor driver card capable of driving both DC motors up to 200 Watts and stepper motors with up to 250x micro-step resolution is used. The UNIDRIV6000 uses onboard intelligence to automatically identify and configure itself for up to six ESP-compatible motion devices. Front and back LED's display the status of each motor driver.

A modular configuration allows you to quickly add more axes in the future as your needs expand. Driver cards can be easily added to the UNIDRIV6000 by turning the captive thumb-screws to remove the axis cover plate and sliding a new driver card into place—no tools required.

ESP compatible universal motor drivers mean a single motor driver card is capable of driving both brushed DC and 2-phase stepper motors. When used with Newport's ESP6000 motion controller, the UNIDRIV6000 universal motor driver is plug-and-play compatible with all of Newport's motorized positioning devices except the PM500 family.

Specifications

Number of Motion Axes	One to six, single-motor driver cards—any combination of stepper and DC servo motors.
Motion Device Compatibility	All Newport motion devices using either stepper motors or encoder-equipped DC motors in any combination (except PM500)
Stepper Motor Controller Compatibility	Optically isolated +pulse, -pulse or pulse and direction input
Stepper Motor Driver/DC Motor Driver	4 A, up to 250x microstep for stepper motors. When used with the ESP6000 motion controller, the driver will automatically configure itself.
DC Motor Driver	24 V, 8 A maximum or 60 V, 3 A maximum
Power Requirements	115 or 230 V, 50/60 Hz 500 W maximum continuous driver load per 6 axes
Dimensions (4U Rack)	16.9 in. wide x 17 in. deep x (6.5 in. tall + 0.5 in. bottom clearance)
Weight	8 kg

Related Products

Motorized Translation Stages

MFN Series
page 2-42



UTM Series
page 2-38



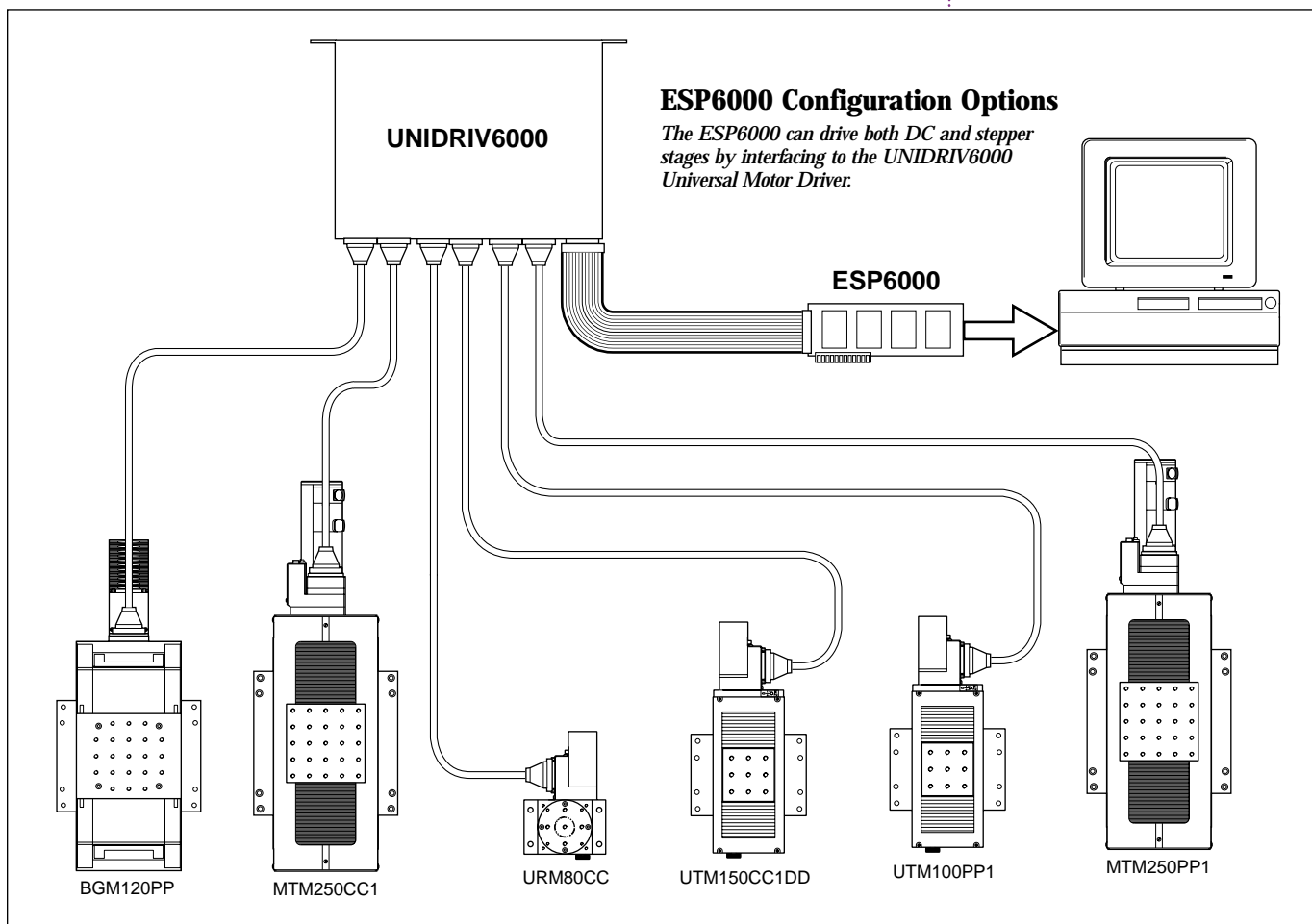
MTM Series
page 2-34



UZM Series
page 2-46



TSx Series
pages 2-16
thru 2-33



Related Products

Motorized Rotation Stages

URM Series

page 3-14



RV Series (1)

page 3-6



SR Series

page 3-22



BGM Series

page 3-24



495CC Series

page 3-20



Actuators

CMA

page 5-10



850G

page 5-8



Note 1: UNIDRIV 6000 cannot be used for RV120-350PEHL. Must use MM4005 for these stages.

Ordering Information

The UNIDRIV6000 part number is configured as follows:

Example:

UNIDRIV6000-OPT

	01	01	01	NN	NN	N	N
Axis 1 Driver Option	01 Driver						
Axis 2 Driver Option		01 Driver					
Axis 3 Driver Option			01 Driver				
Axis 4 Driver Option				NN No Driver			
Axis 5 Driver Option					NN No Driver		
Axis 6 Driver Option						N Driver	
Rack Mount Option							N No Rack Mount

How to order

The UNIDRIV6000 is configured by first specifying driver options for each axis. The example above specifies a UNIDRIV6000 configured to operate with 3 axes.

The UNIDRIV6000-OPT can be bundled with the ESP6000-OPT at a reduced price. To order this combination, specify part number ESP6000-SYS-X, where X is the number of axes and drivers for the UNIDRIV6000 (from 1 to 6).



Artisan Technology Group is your source for quality new and certified-used/pre-owned equipment

- FAST SHIPPING AND DELIVERY
- TENS OF THOUSANDS OF IN-STOCK ITEMS
- EQUIPMENT DEMOS
- HUNDREDS OF MANUFACTURERS SUPPORTED
- LEASING/MONTHLY RENTALS
- ITAR CERTIFIED SECURE ASSET SOLUTIONS

SERVICE CENTER REPAIRS

Experienced engineers and technicians on staff at our full-service, in-house repair center

*InstraView*SM REMOTE INSPECTION

Remotely inspect equipment before purchasing with our interactive website at www.instraview.com ↗

WE BUY USED EQUIPMENT

Sell your excess, underutilized, and idle used equipment. We also offer credit for buy-backs and trade-ins. www.artisanng.com/WeBuyEquipment ↗

LOOKING FOR MORE INFORMATION?

Visit us on the web at www.artisanng.com ↗ for more information on price quotations, drivers, technical specifications, manuals, and documentation

Contact us: (888) 88-SOURCE | sales@artisanng.com | www.artisanng.com