



## Artisan Technology Group is your source for quality new and certified-used/pre-owned equipment

- FAST SHIPPING AND DELIVERY
- TENS OF THOUSANDS OF IN-STOCK ITEMS
- EQUIPMENT DEMOS
- HUNDREDS OF MANUFACTURERS SUPPORTED
- LEASING/MONTHLY RENTALS
- ITAR CERTIFIED SECURE ASSET SOLUTIONS

### SERVICE CENTER REPAIRS

Experienced engineers and technicians on staff at our full-service, in-house repair center

### *InstraView*<sup>SM</sup> REMOTE INSPECTION

Remotely inspect equipment before purchasing with our interactive website at [www.instraview.com](http://www.instraview.com) ↗

### WE BUY USED EQUIPMENT

Sell your excess, underutilized, and idle used equipment. We also offer credit for buy-backs and trade-ins. [www.artisanng.com/WeBuyEquipment](http://www.artisanng.com/WeBuyEquipment) ↗

### LOOKING FOR MORE INFORMATION?

Visit us on the web at [www.artisanng.com](http://www.artisanng.com) ↗ for more information on price quotations, drivers, technical specifications, manuals, and documentation

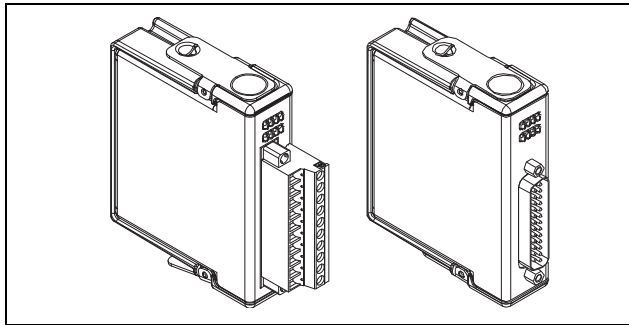
**Contact us:** (888) 88-SOURCE | [sales@artisanng.com](mailto:sales@artisanng.com) | [www.artisanng.com](http://www.artisanng.com)

OPERATING INSTRUCTIONS AND SPECIFICATIONS  
**NI 9421/9423**

**8-Channel Sinking Digital Input Modules**

Français Deutsch 日本語 한국어 简体中文

[ni.com/manuals](http://ni.com/manuals)



This document describes how to use the National Instruments 9421 and National Instruments 9423 and includes specifications and terminal assignments for the NI 9421/9423. In this document, the NI 9421 with screw terminal, NI 9421 with DSUB, and NI 9423 are referred to inclusively as the NI 9421/9423. Visit [ni.com/info](http://ni.com/info) and enter `rdsoftwareversion` to determine which software you need for the modules you are using. For information about installing, configuring, and programming the system, refer to the system documentation. Visit [ni.com/info](http://ni.com/info) and enter `cseriesdoc` for information about C Series documentation.



**Note** The safety guidelines and specifications in this document are specific to the NI 9421/9423. The other components in the system might not meet the same safety ratings and specifications. Refer to the documentation for each component in the system to determine the safety ratings and specifications for the entire system. Visit [ni.com/info](http://ni.com/info) and enter `cseriesdoc` for information about C Series documentation.

## Safety Guidelines

---

Operate the NI 9421/9423 only as described in these operating instructions.



**Hot Surface** This icon denotes that the component may be hot. Touching this component may result in bodily injury.

### Safety Guidelines for Hazardous Voltages

You can connect hazardous voltages to the NI 9421/9423 with screw terminal only. Do *not* connect hazardous voltages to the NI 9421 with DSUB.

If hazardous voltages are connected to the module, take the following precautions. A hazardous voltage is a voltage greater than 42.4 V<sub>pk</sub> or 60 VDC to earth ground.



**Caution** Ensure that hazardous voltage wiring is performed only by qualified personnel adhering to local electrical standards.



**Caution** Do *not* mix hazardous voltage circuits and human-accessible circuits on the same module.



**Caution** Make sure that devices and circuits connected to the module are properly insulated from human contact.

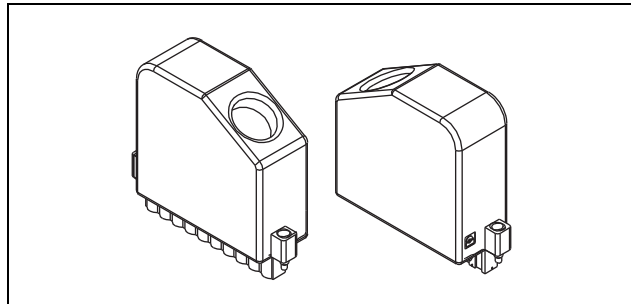


**Caution** When module terminals are hazardous voltage LIVE ( $>42.4 V_{pk}/60 VDC$ ), you must ensure that devices and circuits connected to the module are properly insulated from human contact. You must use the NI 9932 connector backshell kit to ensure that the terminals are *not* accessible.

Figure 1 shows the NI 9932 connector backshell.



**Note** You can use the NI 9932 connector backshell only with the NI 9421/9423 with screw terminal.



**Figure 1.** NI 9932 Connector Backshell

### **Safety Guidelines for Hazardous Locations**

The NI 9421/9423 is suitable for use in Class I, Division 2, Groups A, B, C, D, T4 hazardous locations; Class I, Zone 2, AEx nC IIC T4, and Ex nC IIC T4 hazardous locations; and nonhazardous locations only. Follow these guidelines if you are installing the NI 9421/9423 in a potentially explosive environment. Not following these guidelines may result in serious injury or death.



**Caution** Do *not* disconnect I/O-side wires or connectors unless power has been switched off or the area is known to be nonhazardous.



**Caution** Do *not* remove modules unless power has been switched off or the area is known to be nonhazardous.



**Caution** Substitution of components may impair suitability for Class I, Division 2.



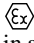
**Caution** For Zone 2 applications, install the system in an enclosure rated to at least IP 54 as defined by IEC 60529 and EN 60529.



**Caution** For Zone 2 applications, connected signals must be within the following limit:

Capacitance ..... 0.2  $\mu$ F max

### **Special Conditions for Hazardous Locations Use in Europe**

This equipment has been evaluated as Ex nC IIC T4 equipment under DEMKO Certificate No. 03 ATEX 0324020X. Each module is marked  II 3G and is suitable for use in Zone 2 hazardous locations, in ambient temperatures of  $-40\text{ }^{\circ}\text{C} \leq T_a \leq 70\text{ }^{\circ}\text{C}$ . If you

are using the NI 9421/9423 in Gas Group IIC hazardous locations, you must use the device in an NI chassis that has been evaluated as Ex nC IIC T4, EEx nC IIC T4, Ex nA IIC T4, or Ex nL IIC T4 equipment.

### **Special Conditions for Marine Applications**

Some modules are Lloyd's Register (LR) Type Approved for marine applications. To verify Lloyd's Register certification, visit [ni.com/certification](http://ni.com/certification) and search for the LR certificate, or look for the Lloyd's Register mark on the module.



**Caution** To meet radio frequency emission requirements for marine applications, use shielded cables and install the system in a metal enclosure. Suppression ferrites must be installed on power supply inputs near power entries to modules and controllers. Power supply and module cables must be separated on opposite sides of the enclosure and must enter and exit through opposing enclosure walls.



## Connecting the NI 9421/9423

The NI 9421/9423 provides connections for eight digital input channels.

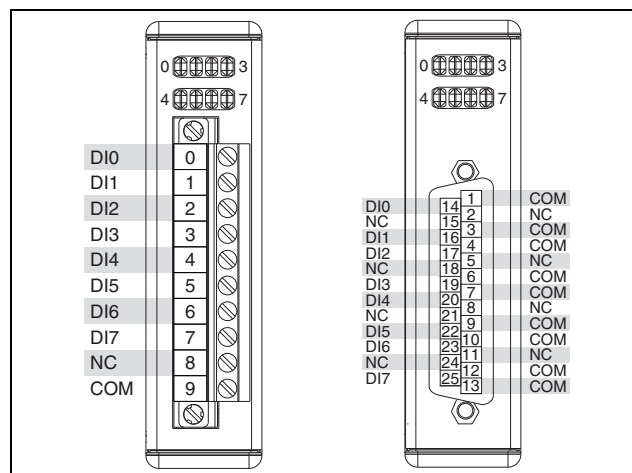


Figure 2. NI 9421/9423 Terminal and Pin Assignments

The NI 9421/9423 with screw terminal has a 10-terminal, detachable screw-terminal connector. The NI 9421 with DSUB has a 25-pin DSUB connector.

Each channel of the NI 9421/9423 has a DI terminal or pin to which you can connect voltage or current signals. The NI 9421/9423 also has COM, a common terminal or pin that is internally connected to the isolated ground reference of the module.

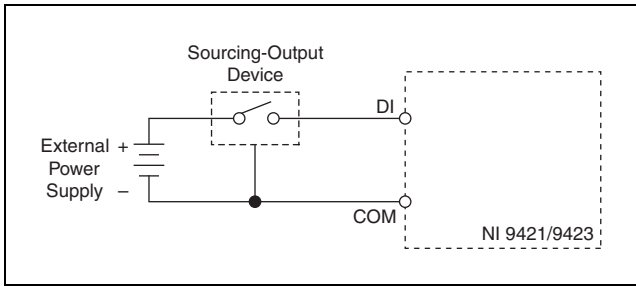


**Note** You must use 2-wire ferrules to create a secure connection when connecting more than one wire to a single terminal on the NI 9421/9423 with screw terminal.

The NI 9421/9423 has sinking inputs, meaning that when the external device drives current or applies voltage to the DI terminal or pin, DI provides a path to COM for the current or voltage. The NI 9421/9423 internally limits current signals connected to DI. For more information about input current levels, refer to the [Specifications](#) section.

You can connect 2-, 3-, and 4-wire sourcing-output devices to the NI 9421/9423. A sourcing-output device drives current or applies voltage to DI. An example of a sourcing-output device is an open collector PNP.

Connect the output of the sourcing-output device to DI on the NI 9421/9423. Connect the common of the external device to the COM terminal or pin. Refer to Figure 3 for an illustration of connecting a device to the NI 9421/9423.



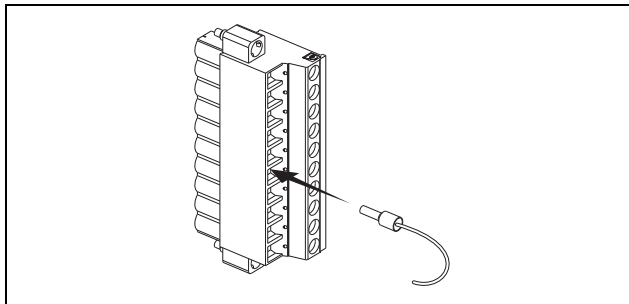
**Figure 3.** Connecting a Device to the NI 9421/9423 (3-Wire Device Shown)

The NI 9421/9423 channel registers as ON when the sourcing-output device applies a voltage or drives a current that is in the input ON range to DI. The channel registers as OFF when the device applies a voltage or drives a current that is in the input OFF range to DI. If no device is connected to DI, the channel registers as OFF. Refer to the [Specifications](#) section for more information about the ON and OFF states.

Each channel has an LED that turns on and off to indicate the state of that channel. When a channel LED is lit, the channel is on. When the LED is dark, the channel is off. The LEDs are disabled when the chassis is in sleep mode. Refer to the [Sleep Mode](#) section for more information about sleep mode.

### Wiring for High-Vibration Applications

If an application using the NI 9421/9423 with screw terminal is subject to high vibration, National Instruments recommends that you either use ferrules to terminate wires to the detachable screw-terminal connector or use the NI 9932 backshell kit to protect the connections. Refer to Figure 4 for an illustration of using ferrules. Refer to Figure 1 for an illustration of the NI 9932 connector backshell.



**Figure 4.** 10-Terminal Detachable Screw-Terminal Connector with Ferrule

## Sleep Mode

---

This module supports a low-power sleep mode. Support for sleep mode at the system level depends on the chassis that the module is plugged into. Refer to the chassis manual for information about support for sleep mode. If the chassis supports sleep mode, refer to the software help for information about enabling sleep mode. Visit [ni.com/info](http://ni.com/info) and enter `cseriesdoc` for information about C Series documentation.

Typically, when a system is in sleep mode, you cannot communicate with the modules. In sleep mode, the system consumes minimal power and may dissipate less heat than it does in normal mode. Refer to the [Specifications](#) section for more information about power consumption and thermal dissipation.

## Specifications

---

The following specifications are typical for the range  $-40$  to  $70$  °C unless otherwise noted. The specifications are the same for the NI 9421 and the NI 9423 unless otherwise noted. All voltages are relative to COM unless otherwise noted.

### Input Characteristics

Number of channels ..... 8 digital input channels

Input type ..... Sinking

Digital logic levels

OFF state

Input voltage .....  $\leq 5$  V

Input current (NI 9421) .....  $\leq 300$   $\mu$ A

Input current (NI 9423) .....  $\leq 150$   $\mu$ A

ON state

Input voltage ..... 11–30 V

Input current .....  $\geq 3$  mA

I/O protection

Input voltage

NI 9421 ..... 40 V max

NI 9423 ..... 35 V max

Reverse-biased voltage ..... -30 V max

Input current

NI 9421 ..... 7 mA max,  
internally limited

NI 9423 ..... 8.5 mA max,  
internally limited

Input delay time

NI 9421 ..... 100  $\mu$ s max

NI 9423 ..... 1  $\mu$ s max

MTBF

NI 9421 ..... 2,086,204 hours at 25 °C;  
Bellcore Issue 2, Method 1,  
Case 3, Limited Part Stress  
Method



NI 9423 ..... 979,623 hours at 25 °C;  
Bellcore Issue 2, Method 1,  
Case 3, Limited Part Stress  
Method



**Note** Contact NI for Bellcore MTBF specifications at other temperatures or for MIL-HDBK-217F specifications.

### **NI 9421 Power Requirements**

Power consumption from chassis

Active mode ..... 240 mW max  
Sleep mode ..... 7 mW max

Thermal dissipation (at 70 °C)

Active mode ..... 1.3 W max  
Sleep mode ..... 1.1 W max

### **NI 9423 Power Requirements**

Power consumption from chassis

Active mode ..... 290 mW max  
Sleep mode ..... 7 mW max

Thermal dissipation (at 70 °C)  
Active mode ..... 1.5 W max  
Sleep mode ..... 1.3 W max

### Physical Characteristics

If you need to clean the module, wipe it with a dry towel.



**Note** For two-dimensional drawings and three-dimensional models of the C Series module and connectors, visit [ni.com/dimensions](http://ni.com/dimensions) and search by module number.

Screw-terminal wiring ..... 12 to 24 AWG copper  
conductor wire with 10 mm  
(0.39 in.) of insulation  
stripped from the end  
Torque for screw-terminals ..... 0.5 to 0.6 N · m  
(4.4 to 5.3 lb · in.)  
Ferrules ..... 0.25 mm<sup>2</sup> to 2.5 mm<sup>2</sup>

Weight

NI 9421/9423 with screw-terminal .....	150 g (5.3 oz)
NI 9421 with DSUB .....	145 g (5.1 oz)

**Safety**

**NI 9421/9423 with Screw-Terminal Safety Voltages**

Connect only voltages that are within the following limits.

Channel-to-COM .....

30 V max
----------

Isolation

Channel-to-channel .....

None
------

Channel-to-earth ground

Continuous .....	250 V <sub>rms</sub> , Measurement Category II
------------------	---

Withstand .....	2,300V <sub>rms</sub> , verified by a 5 s dielectric withstand test
-----------------	--

Measurement Category II is for measurements performed on circuits directly connected to the electrical distribution system. This category refers to local-level electrical distribution, such as

that provided by a standard wall outlet, for example, 115 V for U.S. or 230 V for Europe.



**Caution** Do *not* connect the NI 9421/9423 with screw terminal to signals or use for measurements within Measurement Categories III or IV.

### NI 9421 with DSUB Safety Voltages

Connect only voltages that are within the following limits.

Channel-to-COM ..... 30 V max

Isolation

Channel-to-channel ..... None

Channel-to-earth ground

Continuous ..... 60 VDC,  
Measurement Category I

Withstand ..... 1,000 V<sub>rms</sub>, verified by a 5 s  
dielectric withstand test

Measurement Category I is for measurements performed on circuits not directly connected to the electrical distribution system referred to as *MAINS* voltage. MAINS is a hazardous live electrical supply system that powers equipment. This category is for

measurements of voltages from specially protected secondary circuits. Such voltage measurements include signal levels, special equipment, limited-energy parts of equipment, circuits powered by regulated low-voltage sources, and electronics.



**Note** Do *not* connect the NI 9421 with DSUB to signals or use for measurements within Measurement Categories II, III, or IV.

### **Hazardous Locations**

U.S. (UL) .....	Class I, Division 2, Groups A, B, C, D, T4; Class I, Zone 2, AEx nC IIC T4
Canada (C-UL) .....	Class I, Division 2, Groups A, B, C, D, T4; Class I, Zone 2, Ex nC IIC T4
Europe (DEMKO).....	Ex nC IIC T4

### **Safety Standards**

This product meets the requirements of the following standards of safety for electrical equipment for measurement, control, and laboratory use:

- IEC 61010-1, EN 61010-1
- UL 61010-1, CSA 61010-1



**Note** For UL and other safety certifications, refer to the product label or the [Online Product Certification](#) section.

### **Electromagnetic Compatibility**

This product meets the requirements of the following EMC standards for electrical equipment for measurement, control, and laboratory use:

- EN 61326 (IEC 61326): Class A emissions; Industrial immunity
- EN 55011 (CISPR 11): Group 1, Class A emissions
- AS/NZS CISPR 11: Group 1, Class A emissions
- FCC 47 CFR Part 15B: Class A emissions
- ICES-001: Class A emissions



**Note** For the standards applied to assess the EMC of this product, refer to the *Online Product Certification* section.



**Note** For EMC compliance, operate this device with double-shielded cables.

## CE Compliance

This product meets the essential requirements of applicable European Directives as follows:

- 2006/95/EC; Low-Voltage Directive (safety)
- 2004/108/EC; Electromagnetic Compatibility Directive (EMC)

## Online Product Certification

Refer to the product Declaration of Conformity (DoC) for additional regulatory compliance information. To obtain product certifications and the DoC for this product, visit [ni.com/certification](http://ni.com/certification), search by module number or product line, and click the appropriate link in the Certification column.

## Shock and Vibration

To meet these specifications, you must panel mount the system. If you are using the NI 9421/9423 with screw terminal, you also must either affix ferrules to the ends of the terminal wires or use the NI 9932 backshell kit to protect the connections.

### Operating vibration

Random (IEC 60068-2-64)..... 5  $g_{\text{rms}}$ , 10 to 500 Hz

Sinusoidal (IEC 60068-2-6) ..... 5 g, 10 to 500 Hz

### Operating shock

(IEC 60068-2-27)..... 30 g, 11 ms half sine,  
50 g, 3 ms half sine,  
18 shocks at 6 orientations

## Environmental

National Instruments C Series modules are intended for indoor use only but may be used outdoors if installed in a suitable enclosure. Refer to the manual for the chassis you are using for more information about meeting these specifications.

### Operating temperature

(IEC 60068-2-1, IEC 60068-2-2) ..... -40 to 70 °C



Storage temperature  
(IEC 60068-2-1, IEC 60068-2-2) ..... -40 to 85 °C  
Ingress protection..... IP 40  
Operating humidity  
(IEC 60068-2-56)..... 10 to 90% RH,  
noncondensing  
Storage humidity  
(IEC 60068-2-56)..... 5 to 95% RH,  
noncondensing  
Maximum altitude..... 2,000 m  
Pollution Degree ..... 2

### **Environmental Management**

National Instruments is committed to designing and manufacturing products in an environmentally responsible manner. NI recognizes that eliminating certain hazardous substances from our products is beneficial to the environment and to NI customers.

For additional environmental information, refer to the *NI and the Environment* Web page at [ni.com/environment](http://ni.com/environment). This page contains the environmental regulations and directives with which NI complies, as well as other environmental information not included in this document.

### Waste Electrical and Electronic Equipment (WEEE)



**EU Customers** At the end of the life cycle, all products *must* be sent to a WEEE recycling center. For more information about WEEE recycling centers and National Instruments WEEE initiatives, visit [ni.com/environment/weee](http://ni.com/environment/weee).

### 电子信息产品污染控制管理办法（中国 RoHS）



**中国客户** National Instruments 符合中国电子信息产品中限制使用某些有害物质指令 (RoHS)。关于 National Instruments 中国 RoHS 合规性信息, 请登录 [ni.com/environment/rohs\\_china](http://ni.com/environment/rohs_china)。(For information about China RoHS compliance, go to [ni.com/environment/rohs\\_china](http://ni.com/environment/rohs_china).)

## Where to Go for Support

---

The National Instruments Web site is your complete resource for technical support. At [ni.com/support](http://ni.com/support) you have access to everything from troubleshooting and application development self-help resources to email and phone assistance from NI Application Engineers.

National Instruments corporate headquarters is located at 11500 North Mopac Expressway, Austin, Texas, 78759-3504. National Instruments also has offices located around the world to help address your support needs. For telephone support in the United States, create your service request at [ni.com/support](http://ni.com/support) and follow the calling instructions or dial 512 795 8248. For telephone support outside the United States, contact your local branch office:

Australia 1800 300 800, Austria 43 662 457990-0,  
Belgium 32 (0) 2 757 0020, Brazil 55 11 3262 3599,  
Canada 800 433 3488, China 86 21 5050 9800,  
Czech Republic 420 224 235 774, Denmark 45 45 76 26 00,  
Finland 358 (0) 9 725 72511, France 01 57 66 24 24,  
Germany 49 89 7413130, India 91 80 41190000,  
Israel 972 3 6393737, Italy 39 02 41309277, Japan 0120-527196,

Korea 82 02 3451 3400, Lebanon 961 (0) 1 33 28 28,  
Malaysia 1800 887710, Mexico 01 800 010 0793,  
Netherlands 31 (0) 348 433 466, New Zealand 0800 553 322,  
Norway 47 (0) 66 90 76 60, Poland 48 22 328 90 10,  
Portugal 351 210 311 210, Russia 7 495 783 6851,  
Singapore 1800 226 5886, Slovenia 386 3 425 42 00,  
South Africa 27 0 11 805 8197, Spain 34 91 640 0085,  
Sweden 46 (0) 8 587 895 00, Switzerland 41 56 2005151,  
Taiwan 886 02 2377 2222, Thailand 662 278 6777,  
Turkey 90 212 279 3031, United Kingdom 44 (0) 1635 523545

National Instruments, NI, ni.com, and LabVIEW are trademarks of National Instruments Corporation. Refer to the *Terms of Use* section on [ni.com/legal](http://ni.com/legal) for more information about National Instruments trademarks. Other product and company names mentioned herein are trademarks or trade names of their respective companies. For patents covering National Instruments products/technology, refer to the appropriate location: **Help>Patents** in your software, the `patents.txt` file on your media, or the *National Instruments Patent Notice* at [ni.com/patents](http://ni.com/patents).

© 2003–2009 National Instruments Corp. All rights reserved.

373504F-01

Jun09



## Artisan Technology Group is your source for quality new and certified-used/pre-owned equipment

- FAST SHIPPING AND DELIVERY
- TENS OF THOUSANDS OF IN-STOCK ITEMS
- EQUIPMENT DEMOS
- HUNDREDS OF MANUFACTURERS SUPPORTED
- LEASING/MONTHLY RENTALS
- ITAR CERTIFIED SECURE ASSET SOLUTIONS

### SERVICE CENTER REPAIRS

Experienced engineers and technicians on staff at our full-service, in-house repair center

### *InstraView*<sup>SM</sup> REMOTE INSPECTION

Remotely inspect equipment before purchasing with our interactive website at [www.instraview.com](http://www.instraview.com) ↗

### WE BUY USED EQUIPMENT

Sell your excess, underutilized, and idle used equipment. We also offer credit for buy-backs and trade-ins. [www.artisanng.com/WeBuyEquipment](http://www.artisanng.com/WeBuyEquipment) ↗

### LOOKING FOR MORE INFORMATION?

Visit us on the web at [www.artisanng.com](http://www.artisanng.com) ↗ for more information on price quotations, drivers, technical specifications, manuals, and documentation

**Contact us:** (888) 88-SOURCE | [sales@artisanng.com](mailto:sales@artisanng.com) | [www.artisanng.com](http://www.artisanng.com)