



Artisan Technology Group is your source for quality new and certified-used/pre-owned equipment

- FAST SHIPPING AND DELIVERY
- TENS OF THOUSANDS OF IN-STOCK ITEMS
- EQUIPMENT DEMOS
- HUNDREDS OF MANUFACTURERS SUPPORTED
- LEASING/MONTHLY RENTALS
- ITAR CERTIFIED SECURE ASSET SOLUTIONS

SERVICE CENTER REPAIRS

Experienced engineers and technicians on staff at our full-service, in-house repair center

*InstraView*SM REMOTE INSPECTION

Remotely inspect equipment before purchasing with our interactive website at www.instraview.com ↗

WE BUY USED EQUIPMENT

Sell your excess, underutilized, and idle used equipment. We also offer credit for buy-backs and trade-ins. www.artisanng.com/WeBuyEquipment ↗

LOOKING FOR MORE INFORMATION?

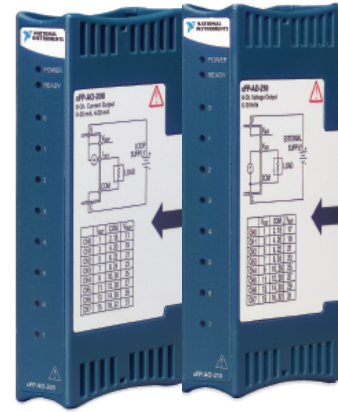
Visit us on the web at www.artisanng.com ↗ for more information on price quotations, drivers, technical specifications, manuals, and documentation

Contact us: (888) 88-SOURCE | sales@artisanng.com | www.artisanng.com

Analog Output Modules for Compact FieldPoint

NI cFP-AO-200, NI cFP-AO-210

- 8 voltage or current outputs
 - 0 to 10 V
 - 0 to 20, 4 to 20 mA
- 12-bit resolution
- Output ranges software-configurable per channel
- 2,300 V_{rms} bank isolation for transient overvoltage protection
- Hot-swappable with autoconfiguration
- -40 to 70 °C operating range



| Module | Input Channels | Resolution | Output Types | Output Ranges (Software Configurable per Channel) | All Channel Update Rate ¹ |
|------------|----------------|------------|--------------|--|--------------------------------------|
| cFP-AO-200 | 8 | 12 bits | Current | 0 to 20 mA, 4 to 20 mA | 200 Hz |
| cFP-AO-210 | 8 | 12 bits | Voltage | 0 to 10 V (up to 10 mA/ch) | 200 Hz |

¹The all-channel update rate refers to the time the module takes to sample all channels. The overall system update rate is affected by other factors, such as the aggregate module update rate and software loop rate. To calculate the system update rate, visit ni.com/info and enter "systemrate."

Overview

National Instruments cFP-AO-2xx devices are versatile analog output modules for Compact FieldPoint that you can use to control valves, gauges, and other industrial actuators. All modules include overranging and onboard diagnostics to ensure trouble-free installation and maintenance. The NI cFP-AO-2xx modules come with NIST-traceable calibration certificates, ensuring accurate and reliable analog control.

Smart I/O Modules

With cFP-AO-2xx modules, you can directly connect to your industrial actuators or units under test and get high-accuracy control. The I/O modules calibrate and scale engineering units to sensor signals, as well as perform self-diagnostics to detect problems with the module or with the wiring such as open current loops. With cFP-AO-2xx modules, your software application writes an engineering value to the I/O module, eliminating the error-prone step of converting voltage or current to binary values. The cFP-AO-2xx modules have an update rate of 200 Hz. Overall data throughput to the controller or PC depends on the software loop speeds and the network speeds.

The cFP-AO-200 includes eight 0 to 20 mA or 4 to 20 mA analog output channels, generated with a 12-bit DAC. Each output channel features a monitoring circuit and LED indicator for open current loop detection. The cFP-AO-200 requires an external power supply that provides 5 to 24 VDC.

The cFP-AO-210 includes eight 0 to 10 V output channels, generated with a 12-bit DAC. Each channel provides a voltage source capable of supplying up to 1 mA. You can obtain up to 10 mA by powering the cFP-AO-210 with an optional external power supply of 15 to 30 VDC.

Isolation

The cFP-AO-2xx modules feature optical bank isolation with 2,300 V_{rms} of breakdown isolation. They do not have channel-to-channel isolation.

Field I/O Connections

Compact FieldPoint modules include a built-in power distribution bus that provides multiple power connections on the module. A field-wired power supply connected to the voltage (V) and common (C) terminals is internally connected to a power distribution bus that offers additional breakout terminals for voltage supply (V_{SUP}) and common (COM). These terminals deliver a convenient way to distribute power to field devices that require external power.

The cFP-AO-200 has:

- 8 current output terminals (I_{OUT})
- 16 common terminals (COM)
- 8 power connections for field devices or current loops (V_{SUP})

The cFP-AO-210 has:

- 8 voltage output terminals (V_{OUT})
- 16 common terminals (COM)
- 8 power connections for field devices or current loops (V_{SUP})



Analog Output Modules for Compact FieldPoint

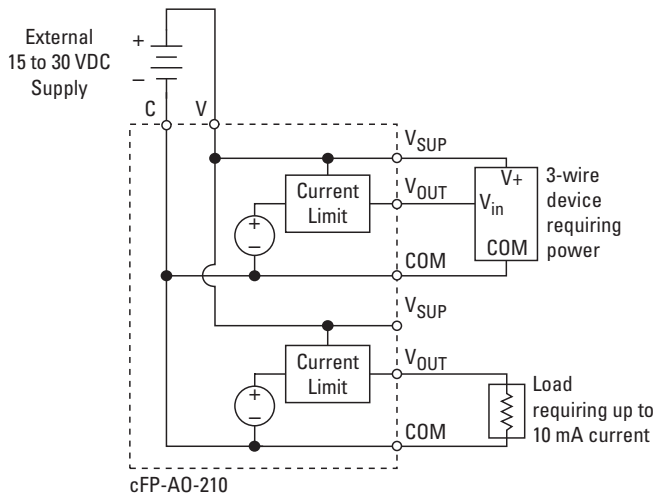


Figure 1. Wiring Schematic for the cFP-AO-210 Module

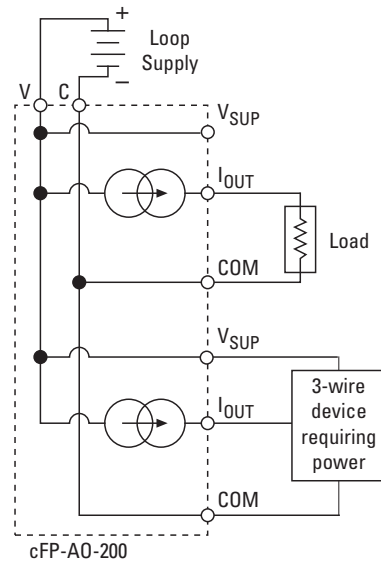


Figure 2. Wiring Schematic for the cFP-AO-200 Module

Ordering Information

| | |
|---------------------|------------|
| NI cFP-AO-200 | 777318-200 |
| NI cFP-AO-210 | 777318-210 |

Recommended Compact FieldPoint System Products

| | |
|---|-------------|
| NI cFP-2120 | 777317-2120 |
| NI cFP-BP-4 | 778617-04 |
| NI cFP-CB-1 | 778618-01 |
| NI PS-5 power supply | 778805-90 |
| NI Developer Suite Professional Control Edition | 777906-03 |

BUY NOW!

For complete product specifications, pricing, and accessory information, call 800 813 3693 (U.S.) or go to ni.com/compactfieldpoint.

BUY ONLINE at ni.com or CALL 800 813 3693 (U.S.)

Analog Output Modules for Compact FieldPoint

Specifications

Typical for -40 to 70 °C unless otherwise noted.

Output Characteristics

Number of channels..... 8 single-ended
 DAC resolution..... 12 bits, 1 in 4,096

Current Output (cFP-AO-200)

Output range 0 to 20 or 4 to 20 mA, programmable (0 to 21 or 3.5 to 21 mA with overranging)
 Output type Current source (external loop power required)
 External loop power..... 5 to 24 VDC
 Internal voltage drop..... 3 V
 Resistive load Up to 1 kΩ with 24 VDC supply, up to 100 Ω with 5 V supply
 Protection and error detection..... Short-circuit and open-circuit
 Default power-up state..... 0 mA
 Resolution 6 μA

Voltage Output (cFP-AO-210)

Output range 0 to 10 V (0 to 10.2 V with overranging)
 Output type Voltage source (external power optional)
 External power supply 15 to 30 VDC
 Internal voltage drop..... 3 V
 Current drive 1 mA sourcing or sinking, 10 mA sourcing with external power supply
 Overvoltage protection -10 to 20 V
 Default power-up state..... 0 V
 Resolution 2.5 mA

Isolation Voltage

Maximum isolation voltage 250 V_{rms}, Installation Category II
 Channel-to-channel isolation..... No isolation between channels
 Transient overvoltage..... 2,300 V_{rms}

Accuracy

Absolute accuracy (cFP-AO-200)..... 0.1% typ, 0.3% max
 Gain error (cFP-AO-210) 0.2% typ, 0.4% max
 Offset error (cFP-AO-210)..... 4 mV typ, 14 mV max
 Monotonicity Guaranteed over temperature range
 Offset temperature coefficient
 cFP-AO-200 50 nA/°C
 cFP-AO-210 70 μV/°C
 Gain temperature coefficient
 cFP-AO-200 40 ppm/°C
 cFP-AO-210 20 ppm/°C

Dynamic Characteristics

Maximum update rate 200 updates/s
 Slew rate
 cFP-AO-200 0.4 mA/μs
 cFP-AO-210 0.5 V/μs

Physical Characteristics

LED indicators
 POWER (green) Power on and self-test passed
 READY (green) Module configured and ready
 Fault status (red)..... Open circuit (cFP-AO-200) or current limit (cFP-AO-210) on channel
 Dimensions..... 127.0 by 65.9 by 23.9 cm (5.00 by 2060 by 0.94 in.)
 Weight
 cFP-AO-200 113 g (4.0 oz)
 cFP-AO-210 115 g (4.1 oz)

Power Requirement

Power from network module
 cFP-AO-200 350 mW

Environment

Operating temperature -40 to 70 °C
 Storage temperature..... -55 to 85 °C
 Relative humidity 10 to 90%, noncondensing

Shock and Vibration

Operating vibration, random (IEC 60068-2-64) 10 to 500 Hz, 5 grms
 Operating vibration, sinusoidal (IEC 60068-2-6) 10 to 500 Hz, 5 g
 Operating shock (IEC 60068-2-27) 50 g, 3 ms half sine, 18 shocks at 6 orientations; 30 g, 11 ms half sine, 18 shocks at 6 orientations

BUY ONLINE at ni.com or CALL 800 813 3693 (U.S.)

Analog Output Modules for Compact FieldPoint

Safety and Compliance

Safety

This product is designed to meet the requirements of the following standards of safety for electrical equipment for measurement, control, and laboratory use:

- IEC 61010-1, EN 61010-1
- UL 61010-1, CSA 61010-1

Note: For UL and other safety certifications, refer to the product label or visit ni.com/certification, search by model number or product line, and click the appropriate link in the Certification column.

Electromagnetic Compatibility

This product is designed to meet the requirements of the following standards of EMC for electrical equipment for measurement, control, and laboratory use:

- EN 61326 EMC requirements; Minimum Immunity
- EN 55011 Emissions; Group 1, Class A
- CE, C-Tick, ICES, and FCC Part 15 Emissions; Class A

Note: For EMC compliance, operate this device according to product documentation.

CE Compliance

This product meets the essential requirements of applicable European Directives, as amended for CE marking, as follows:

- 2006/95/EC; Low-Voltage Directive (safety)
- 2004/108/EC; Electromagnetic Compatibility Directive (EMC)

Note: Refer to the Declaration of Conformity (DoC) for this product for any additional regulatory compliance information. To obtain the DoC for this product, visit ni.com/certification, search by model number or product line, and click the appropriate link in the Certification column.

Waste Electrical and Electronic Equipment (WEEE)

EU Customers: At the end of their life cycle, all products must be sent to a WEEE recycling center. For more information about WEEE recycling centers and National Instruments WEEE initiatives, visit ni.com/environment/weee.htm.

NI Services and Support



NI has the services and support to meet your needs around the globe and through the application life cycle – from planning and development through deployment and ongoing maintenance. We offer services and service levels to meet customer requirements in research, design, validation, and manufacturing. Visit ni.com/services.

Training and Certification

NI training is the fastest, most certain route to productivity with our products. NI training can shorten your learning curve, save development time, and reduce maintenance costs over the application life cycle. We schedule instructor-led courses in cities worldwide, or we can hold a course at your facility. We also offer a professional certification program that identifies individuals who have high levels of skill and knowledge on using NI products. Visit ni.com/training.

Professional Services

Our NI Professional Services team is composed of NI applications and systems engineers and a worldwide National Instruments Alliance Partner program of more than 600 independent consultants and

integrators. Services range from start-up assistance to turnkey system integration. Visit ni.com/alliance.



OEM Support

We offer design-in consulting and product integration assistance if you want to use our products for OEM applications. For information about special pricing and services for OEM customers, visit ni.com/oem.

Local Sales and Technical Support

In offices worldwide, our staff is local to the country, giving you access to engineers who speak your language. NI delivers industry-leading technical support through online knowledge bases, our applications engineers, and access to 14,000 measurement and automation professionals within NI Developer Exchange forums. Find immediate answers to your questions at ni.com/support.

We also offer service programs that provide automatic upgrades to your application development environment and higher levels of technical support. Visit ni.com/ssp.

Hardware Services

NI Factory Installation Services

NI Factory Installation Services (FIS) is the fastest and easiest way to use your PXI or PXI/SCXI combination systems right out of the box. Trained NI technicians install the software and hardware and configure the system to your specifications. NI extends the standard warranty by one year on hardware components (controllers, chassis, modules) purchased with FIS. To use FIS, simply configure your system online with ni.com/pxiadvisor.

Calibration Services

NI recognizes the need to maintain properly calibrated devices for high-accuracy measurements. We provide manual calibration procedures, services to recalibrate your products, and automated calibration software specifically designed for use by metrology laboratories. Visit ni.com/calibration.

Repair and Extended Warranty

NI provides complete repair services for our products. Express repair and advance replacement services are also available. We offer extended warranties to help you meet project life-cycle requirements. Visit ni.com/services.



ni.com • 800 813 3693

National Instruments • info@ni.com



©2008 National Instruments Corporation. All rights reserved. FieldPoint, National Instruments, National Instruments Alliance Partner, NI, ni.com, NI Developer Suite, and SCXI are trademarks of National Instruments. Other product and company names listed are trademarks or trade names of their respective companies. A National Instruments Alliance Partner is a business entity independent from NI and has no agency, partnership, or joint-venture relationship with NI.

Artisan Technology Group - Quality Instrumentation ... Guaranteed | (888) 88-SOURCE | www.artisanTG.com



Artisan Technology Group is your source for quality new and certified-used/pre-owned equipment

- FAST SHIPPING AND DELIVERY
- TENS OF THOUSANDS OF IN-STOCK ITEMS
- EQUIPMENT DEMOS
- HUNDREDS OF MANUFACTURERS SUPPORTED
- LEASING/MONTHLY RENTALS
- ITAR CERTIFIED SECURE ASSET SOLUTIONS

SERVICE CENTER REPAIRS

Experienced engineers and technicians on staff at our full-service, in-house repair center

*InstraView*SM REMOTE INSPECTION

Remotely inspect equipment before purchasing with our interactive website at www.instraview.com ↗

WE BUY USED EQUIPMENT

Sell your excess, underutilized, and idle used equipment. We also offer credit for buy-backs and trade-ins. www.artisanng.com/WeBuyEquipment ↗

LOOKING FOR MORE INFORMATION?

Visit us on the web at www.artisanng.com ↗ for more information on price quotations, drivers, technical specifications, manuals, and documentation

Contact us: (888) 88-SOURCE | sales@artisanng.com | www.artisanng.com