



## Artisan Technology Group is your source for quality new and certified-used/pre-owned equipment

- FAST SHIPPING AND DELIVERY
- TENS OF THOUSANDS OF IN-STOCK ITEMS
- EQUIPMENT DEMOS
- HUNDREDS OF MANUFACTURERS SUPPORTED
- LEASING/MONTHLY RENTALS
- ITAR CERTIFIED SECURE ASSET SOLUTIONS

### SERVICE CENTER REPAIRS

Experienced engineers and technicians on staff at our full-service, in-house repair center

### *InstraView*<sup>SM</sup> REMOTE INSPECTION

Remotely inspect equipment before purchasing with our interactive website at [www.instraview.com](http://www.instraview.com) ↗

### WE BUY USED EQUIPMENT

Sell your excess, underutilized, and idle used equipment. We also offer credit for buy-backs and trade-ins. [www.artisanng.com/WeBuyEquipment](http://www.artisanng.com/WeBuyEquipment) ↗

### LOOKING FOR MORE INFORMATION?

Visit us on the web at [www.artisanng.com](http://www.artisanng.com) ↗ for more information on price quotations, drivers, technical specifications, manuals, and documentation

**Contact us:** (888) 88-SOURCE | [sales@artisanng.com](mailto:sales@artisanng.com) | [www.artisanng.com](http://www.artisanng.com)

# Analog Output Modules for Compact FieldPoint and FieldPoint

## NI [c]FP-AO-200, NI [c]FP-AO-210

- 8 voltage or current outputs
  - 0 to 10 V
  - 0 to 20, 4 to 20 mA
- 12-bit resolution
- Output ranges software configurable per channel
- 2,300 V<sub>rms</sub> bank isolation for transient overvoltage protection
- Hot swappable with auto-configuration
- -40 to 70 °C operating range

NEW



Module	Input Channels	Resolution	Output Types	Output Ranges (Software Configurable per Channel)	All Channel Update Rate
[c]FP-AO-200	8	12 bits	Current	0 to 20 mA, 4 to 20 mA	200 Hz
[c]FP-AO-210	8	12 bits	Voltage	0 to 10 V, (up to 10 mA/ch)	200 Hz

## Overview

The National Instruments [c]FP-AO-2xx devices are versatile analog output modules for Compact FieldPoint and FieldPoint that can be used to control valves, gauges, and other industrial actuators. All modules include overranging and onboard diagnostics to ensure trouble-free installation and maintenance. The modules accept engineering units from you, control or monitoring software and linearize and output scaled signals. The NI [c]FP-AZ-2xx modules come with NIST-traceable calibration certificates, ensuring accurate and reliable analog control.

## Smart I/O Modules

With AO-2xx modules, you can directly connect to your industrial actuators or units under test and get high-accuracy control. The I/O modules calibrate, and scale engineering units to sensor signals, as well as performing self-diagnostics to look for problems with the module or with the wiring such as open current loops. With AO-2xx modules, your software application writes an engineering value to the I/O module, eliminating the error-prone step of converting voltage or current to binary values. The AO-2xx modules have an update rate of 200 Hz. Overall data throughput to the controller or PC depends on the software loop speeds and the network speeds.

The [c]FP-AO-200 includes eight 0 to 20 mA or 4 to 20 mA analog output channels, generated with a 12-bit DAC. Each output channel includes a monitoring circuit and LED indicator for open current loop detection. The AO-200 requires an external power supply that provides 5 to 24 VDC.

The [c]FP-AO-210 includes eight 0 to 10 V output channels, generated with a 12-bit DAC. Each channel provides a voltage source capable of supplying up to 1 mA. You can obtain up to 10 mA by powering the AO-210 with an optional external power supply of 15 to 30 VDC.

## Isolation

The AO-xx series modules feature optical bank isolation with 2,300 V<sub>rms</sub> of breakdown isolation. These Compact FieldPoint and FieldPoint modules do not have channel-to-channel isolation.

## Field I/O Connections

Compact FieldPoint and FieldPoint modules include a built-in power distribution bus that provides multiple power connections on the module. A field wired power supply connected to the voltage (V) and common (C) terminals is internally connected to a power distribution bus that provides additional breakout terminals for voltage supply (V<sub>SUP</sub>) and common (COM). These terminals provide a convenient way to distribute power to field devices that require external power.

The AO-200 has:

- 8 current output terminals (I<sub>OUT</sub>)
- 16 common terminals (COM)
- 8 power connections for field devices or current loops (V<sub>SUP</sub>)

The AO-210 has:

- 8 voltage output terminals (V<sub>OUT</sub>)
- 16 common terminals (COM)
- 8 power connections for field devices or current loops (V<sub>SUP</sub>)

# Analog Output Modules for Compact FieldPoint and FieldPoint

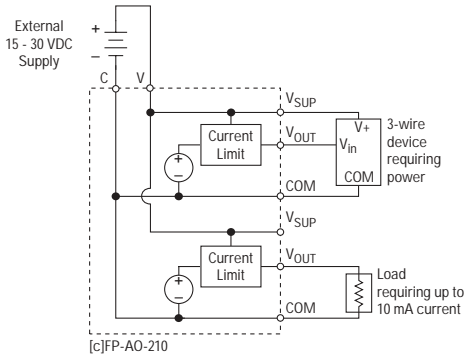


Figure 1. Wiring Schematic for [c]FP-AO-210 modules

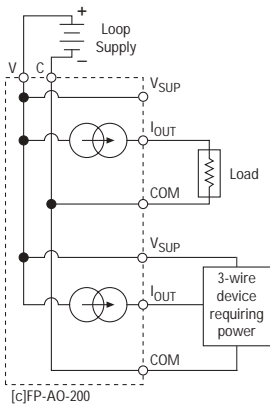


Figure 2. Wiring Schematic for [c]FP-AO-200 modules

## Ordering Information

### Compact FieldPoint

NI cFP-AO-100.....	777318-200
NI cFP-AO-210.....	777318-210

### Recommended Compact FieldPoint System Products

NI cFP-2020 .....	777317-2020
NI cFP-BP-4 .....	778617-04
NI cFP-CB-1 .....	778618-01
NI PS-5 Power Supply .....	778805-90
NI Developer Suite Professional Control Edition.....	777906-03

### FieldPoint

NI FP-AO-100 .....	777518-200
NI FP-AO-210 .....	777518-210

### Recommended FieldPoint System Products

NI FP-1601 .....	777792-01
NI FP-TB-1 .....	777519-01
NI PS-4 Power Supply .....	778586-90
NI Developer Suite Standard Control Edition .....	777905-03

## BUY ONLINE!

Visit [ni.com/info](http://ni.com/info) and enter *cfpao100*, *cfpao210*, *fpao100*, and/or *fpao210*.

# Analog Output Modules for Compact FieldPoint and FieldPoint

## Specifications

Typical for -40 to 70 °C unless otherwise noted.

### Output Characteristics

Number of channels.....	8 single-ended
DAC resolution.....	12 bits, 1 in 4,096

### Current Output ([c]FP-AO-200)

Output range.....	0-20 or 4-20 mA, programmable (0-21 or 3.5-21 mA with overranging)
Output type.....	Current source (external loop power required)
External loop power.....	5-24 VDC
Internal voltage drop.....	3 V
Resistive load.....	Up to 1 k $\Omega$ with 24 VDC supply, up to 100 $\Omega$ with 5 V supply
Protection and error detection.....	Short-circuit and open-circuit
Default power-up state.....	0 mA
Resolution.....	6 $\mu$ A

### Voltage Output ([c]FP-AO-210)

Output range.....	0-10 V (0-10.2 V with overranging)
Output type.....	Voltage source (external power optional)
External power supply.....	15-30 VDC
Internal voltage drop.....	3 V
Current drive.....	1 mA sourcing or sinking, 10 mA sourcing with external power supply
Overvoltage protection.....	-10 to 20 V
Default power-up state.....	0 V
Resolution.....	2.5 mA

### Isolation Voltage

Maximum isolation voltage.....	250 V <sub>rms</sub> , Installation Category II
Channel-to-channel isolation.....	No isolation between channels
Transient overvoltage.....	2,300 V <sub>rms</sub>

### Accuracy

Absolute accuracy ([c]FP-AO-200).....	0.1% typ, 0.3% max
Gain error ([c]FP-AO-210).....	0.2% typ, 0.4% max
Offset error ([c]FP-AO-210).....	4 mV typ, 14 mV max
Monotonicity.....	Guaranteed over temperature range
Offset temperature coefficient	
[c]FP-AO-200.....	50 nA/°C
[c]FP-AO-210.....	70 $\mu$ V/°C
Gain temperature coefficient	
[c]FP-AO-200.....	40 ppm/°C
[c]FP-AO-210.....	20 ppm/°C

### Dynamic Characteristics

Maximum update rate.....	200 updates/s
Slew rate	
[c]FP-AO-200.....	0.4 mA/ $\mu$ s
[c]FP-AO-210.....	0.5 V/ $\mu$ s

### Physical Characteristics

LED indicators	
POWER (green).....	Power on and self-test passed
READY (green).....	Module configured and ready
Fault status (red).....	Open circuit ([c]FP-AO-200) or current limit ([c]FP-AO-210) on channel
Dimensions	
(FP only, including terminal base).....	10.7 by 10.9 by 9.1 cm (4.2 by 4.3 by 3.6 in.)
Weight	
FP-AO-200.....	143 g (5.0 oz)
cFP-AO-200.....	113 g (4.0 oz)
FP-AO-210.....	145 g (5.1 oz)
cFP-AO-210.....	115 g (4.1 oz)

### Power Requirement

Power from network module	
[c]FP-AO-200.....	350 mW
[c]FP-AO-210.....	600 mW

### Environment

Operating temperature.....	-40 to 70 °C
Storage temperature.....	-55 to 85 °C
Relative humidity.....	10 to 90%, noncondensing

### Shock and Vibration

These specifications apply only to Compact FieldPoint. NI recommends Compact FieldPoint if your application is subject to shock and vibration.

Operating vibration, random (IEC 60068-2-64).....	10 to 500 Hz, 5 g <sub>rms</sub>
Operating vibration, sinusoidal (IEC 60068-2-6).....	10 to 500 Hz, 5 g
Operating shock (IEC 60068-2-27).....	50 g, 3 ms half sine, 18 shocks at 6 orientations; 30 g, 11 ms half sine, 18 shocks at 6 orientations

### Safety

This product is designed to meet the requirements of the following standards of safety for electrical equipment for measurement, control, and laboratory use:

- IEC 61010-1, EN 61010-1
- UL 3121-1, UL 61010C-1
- CAN/CSA C22.2 No. 1010.1

For UL, hazardous location, and other safety certifications, refer to the product label or to [ni.com](http://ni.com)

### Electromagnetic Compatibility

CE, C-Tick, and FCC Part 15 (Class A) Compliant

Emissions.....	EN 55011 Class A at 10 m FCC Part 15A above 1 GHz
Immunity.....	EN 61326:1997 + A2:2001, Table 1

For EMC compliance, operate this device with shielded cabling.

### CE Compliance

This product meets the essential requirements of applicable European Directives, as amended for CE Marking, as follows:

Low-Voltage Directive (safety).....	73/23/EEC
Electromagnetic Compatibility Directive (EMC).....	89/336/EEC

Refer to the Declaration of Conformity (DoC) for this product for any additional regulatory compliance information. To obtain the DoC for this product, visit [ni.com/hardref.nsf/](http://ni.com/hardref.nsf/) and search by model number or product line.



## Artisan Technology Group is your source for quality new and certified-used/pre-owned equipment

- FAST SHIPPING AND DELIVERY
- TENS OF THOUSANDS OF IN-STOCK ITEMS
- EQUIPMENT DEMOS
- HUNDREDS OF MANUFACTURERS SUPPORTED
- LEASING/MONTHLY RENTALS
- ITAR CERTIFIED SECURE ASSET SOLUTIONS

### SERVICE CENTER REPAIRS

Experienced engineers and technicians on staff at our full-service, in-house repair center

### *InstraView*<sup>SM</sup> REMOTE INSPECTION

Remotely inspect equipment before purchasing with our interactive website at [www.instraview.com](http://www.instraview.com) ↗

### WE BUY USED EQUIPMENT

Sell your excess, underutilized, and idle used equipment. We also offer credit for buy-backs and trade-ins

[www.artisanng.com/WeBuyEquipment](http://www.artisanng.com/WeBuyEquipment) ↗

### LOOKING FOR MORE INFORMATION?

Visit us on the web at [www.artisanng.com](http://www.artisanng.com) ↗ for more information on price quotations, drivers, technical specifications, manuals, and documentation

**Contact us:** (888) 88-SOURCE | [sales@artisanng.com](mailto:sales@artisanng.com) | [www.artisanng.com](http://www.artisanng.com)