



Artisan Technology Group is your source for quality new and certified-used/pre-owned equipment

- FAST SHIPPING AND DELIVERY
- TENS OF THOUSANDS OF IN-STOCK ITEMS
- EQUIPMENT DEMOS
- HUNDREDS OF MANUFACTURERS SUPPORTED
- LEASING/MONTHLY RENTALS
- ITAR CERTIFIED SECURE ASSET SOLUTIONS

SERVICE CENTER REPAIRS

Experienced engineers and technicians on staff at our full-service, in-house repair center

*InstraView*SM REMOTE INSPECTION

Remotely inspect equipment before purchasing with our interactive website at www.instraview.com ↗

WE BUY USED EQUIPMENT

Sell your excess, underutilized, and idle used equipment. We also offer credit for buy-backs and trade-ins. www.artisanng.com/WeBuyEquipment ↗

LOOKING FOR MORE INFORMATION?

Visit us on the web at www.artisanng.com ↗ for more information on price quotations, drivers, technical specifications, manuals, and documentation

Contact us: (888) 88-SOURCE | sales@artisanng.com | www.artisanng.com

Digital Input Modules for Compact FieldPoint and FieldPoint

NEW

NI [c]FP-DI-300, NI [c]FP-DI-301, NI [c]FP-DI-330

- 8 or 16 inputs
 - 24 VDC inputs
 - 3 to 250 VDC inputs
 - 15 to 250 VAC inputs
- 2,300 V_{rms} bank isolation for transient overvoltage protection
- Hot swappable with autoconfiguration
- -40 to 70 °C operating range



Module	Input Channels	Input Ranges	Inputs Type	Compatibility Examples	Separate Ground Plane per Channel	All Channel Update Rate
[c]FP-DI-300	8	18 to 30 VDC	Sinking	24 VDC sourcing devices	–	1 kHz
[c]FP-DI-301	16	18 to 30 VDC	Sinking	24 VDC sourcing devices	–	1 kHz
[c]FP-DI-330	8	3 to 250 VDC 15 to 250 VAC	Sinking or sourcing	TTL, CMOS, 12 VDC, 24 VDC, 48 VDC, 120/240 VAC/VDC	✓	1 kHz

Overview

The National Instruments [c]FP-DI-3xx devices are versatile digital input modules for Compact FieldPoint and FieldPoint that can be used to monitor digital signals ranging from low voltage levels up to 250 V. These modules are commonly used to monitor proximity and limit switches, pushbutton switches, thermostat outputs, relay closure, power circuits, and TTL devices. All the modules include onboard diagnostics to ensure trouble-free installation and maintenance.

Digital Input Modules

DI-3xx modules provide built-in module-to-module isolation to protect your FieldPoint system and controller or communication interface from high voltage levels.

The DI-300 and DI-301 modules use a common ground plane for all the input channels. Each channel on the DI-300 and the DI-301 includes current-limiting circuitry to prevent damaging the module when connecting it directly to a 24 VDC source.

The DI-330 uses eight optically isolated input channels so that each digital input has a separate ground plane and each channel can be used with a different voltage potential. Thus, you can connect one channel to a 5 VDC TTL signal and another signal on the same DI-330 module to a 250 VAC line voltage. Each channel on the DI-330 includes current-limiting circuitry that limits the total current to 1.5 mA to prevent damaging the module.

All the channels on the DI-3xx modules feature LEDs that indicate the input state of each channel. The modules all feature an all channel update rate of 1 kHz. Overall data throughput depends on software loop speeds and network speeds.

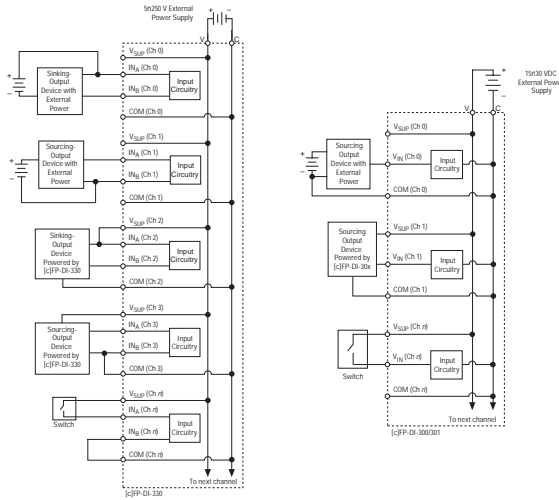
Isolation

DI-3xx modules feature optical bank isolation with 2,300 V_{rms} of breakdown isolation. In addition, the DI-330 provides double insulation for up to 250 V_{rms} of operational isolation. Compact FieldPoint can safely be used in applications where hazardous voltages are present when used with the cFP-CB-1 connector block. FieldPoint can safely be used in applications where hazardous voltages are present with the FP-TB-x terminal base. These Compact FieldPoint and FieldPoint modules do not have channel-to-channel isolation.

Field I/O Connections

Compact FieldPoint and FieldPoint modules include a built-in power distribution bus that provides multiple power connections on the module. A field wired power supply connected to the voltage (V) and common (C) terminals is internally connected to a power distribution bus that provides additional breakout terminals for voltage supply (V_{SUP}) and common (COM). These terminals provide a convenient way to distribute power to field devices that require external power.

Digital Input Modules for Compact FieldPoint and FieldPoint



Wiring Schematics for the DI-3xx Modules

Ordering Information

Compact FieldPoint

NI cFP-DI-300	777318-300
NI cFP-DI-301	777318-301
NI cFP-DI-330	777318-330

Recommended Compact FieldPoint System Products

NI cFP-2020	777317-2020
NI cFP-BP-4	778617-04
NI cFP-CB-1	779618-01
NI PS-5 Power Supply	778805-90
NI Developer Suite Professional Control Edition	777906-03

FieldPoint

NI FP-DI-300	777518-300
NI FP-DI-301	777518-301
NI FP-DI-330	777518-330

Recommended FieldPoint System Products

NI FP-1601	777792-01
NI FP-TB-1	777519-01
NI PS-4 Power Supply	778586-90
NI Developer Suite Control Edition	777905-03

BUY ONLINE!

Visit ni.com/info and enter *cfpdi300*, *cfpdi301*, *cfpdi330*, *fpdi300*, *fpdi301*, and/or *fpdi330*.

Specifications

Typical for -40 to 70 °C unless otherwise noted.

Digital Input Channels

[c]FP-DI-300, [c]FP-DI-330	8
[c]FP-DI-301	16

Input Characteristics

Input impedance ([c]FP-DI-300, [c]FP-DI-301)	5 kΩ
Input current limiting ([c]FP-DI-330)	1.5 mA

Isolation Voltage

Maximum isolation voltage	
([c]FP-DI-330 only)	250 V _{rms} , Installation Category II
Channel-to-channel isolation	No isolation between channels
Transient overvoltage	2,300 V _{rms}

Physical Characteristics

LED Indicators	
POWER (green)	Power on and self-test passed
READY (green)	Module configured and ready
<0..15> or <0..7> (green)	Input state of each channel
Dimensions (FP only, including terminal base)	10.7 by 10.9 by 9.1 cm (4.2 by 4.3 by 3.6 in.)
Weight	
FP-DI-300/301	130 g (4.6 oz)
cFP-DI-300/301	100 g (3.6 oz)
FP-DI-330	133 g (4.7 oz)
cFP-DI-330	103 g (3.7 oz)

Power Requirements (from Network Module)

[c]FP-DI-300	185 mW
[c]FP-DI-301	325 mW
[c]FP-DI-330	200 mW

Environment

Operating temperature	-40 to 70 °C
Storage temperature	-55 to 85 °C
Relative humidity	10 to 90%, noncondensing

Shock and Vibration

These specifications apply only to Compact FieldPoint. NI recommends Compact FieldPoint if your application is subject to shock and vibration.

Operating vibration, random	
(IEC 60068-2-64)	10 to 500 Hz, 5 g _{rms}
Operating vibration, sinusoidal	
(IEC 60068-2-6)	10 to 500 Hz, 5 g
Operating shock	
(IEC 60068-2-27)	50 g, 3 ms half sine, 18 shocks at 6 orientations; 30 g, 11 ms half sine, 18 shocks at 6 orientations

Safety

This product is designed to meet the requirements of the following standards of safety for electrical equipment for measurement, control, and laboratory use:

- IEC 61010-1, EN 61010-1
- UL 3121-1, UL 61010C-1
- CAN/CSA C22.2 No. 1010.1

For UL, hazardous location, and other safety certifications, refer to the product label or to ni.com

Electromagnetic Compatibility

CE, C-Tick, and FCC Part 15 (Class A) Compliant	
Emissions	EN 55011 Class A at 10 m FCC Part 15A above 1 GHz
Immunity	EN 61326:1997 + A2:2001, Table 1

For EMC compliance, operate this device with shielded cabling.

CE Compliance

This product meets the essential requirements of applicable European Directives, as amended for CE Marking, as follows:

Low-Voltage Directive (safety)	73/23/EEC
Electromagnetic Compatibility Directive (EMC)	89/336/EEC

Refer to the Declaration of Conformity (DoC) for this product for any additional regulatory compliance information. To obtain the DoC for this product, visit ni.com/hardref.nsf/ and search by model number or product line.



Artisan Technology Group is your source for quality new and certified-used/pre-owned equipment

- FAST SHIPPING AND DELIVERY
- TENS OF THOUSANDS OF IN-STOCK ITEMS
- EQUIPMENT DEMOS
- HUNDREDS OF MANUFACTURERS SUPPORTED
- LEASING/MONTHLY RENTALS
- ITAR CERTIFIED SECURE ASSET SOLUTIONS

SERVICE CENTER REPAIRS

Experienced engineers and technicians on staff at our full-service, in-house repair center

*InstraView*SM REMOTE INSPECTION

Remotely inspect equipment before purchasing with our interactive website at www.instraview.com ↗

WE BUY USED EQUIPMENT

Sell your excess, underutilized, and idle used equipment. We also offer credit for buy-backs and trade-ins. www.artisanng.com/WeBuyEquipment ↗

LOOKING FOR MORE INFORMATION?

Visit us on the web at www.artisanng.com ↗ for more information on price quotations, drivers, technical specifications, manuals, and documentation

Contact us: (888) 88-SOURCE | sales@artisanng.com | www.artisanng.com