



## Artisan Technology Group is your source for quality new and certified-used/pre-owned equipment

- FAST SHIPPING AND DELIVERY
- TENS OF THOUSANDS OF IN-STOCK ITEMS
- EQUIPMENT DEMOS
- HUNDREDS OF MANUFACTURERS SUPPORTED
- LEASING/MONTHLY RENTALS
- ITAR CERTIFIED SECURE ASSET SOLUTIONS

### SERVICE CENTER REPAIRS

Experienced engineers and technicians on staff at our full-service, in-house repair center

### *InstraView*<sup>SM</sup> REMOTE INSPECTION

Remotely inspect equipment before purchasing with our interactive website at [www.instraview.com](http://www.instraview.com) ↗

### WE BUY USED EQUIPMENT

Sell your excess, underutilized, and idle used equipment. We also offer credit for buy-backs and trade-ins. [www.artisanng.com/WeBuyEquipment](http://www.artisanng.com/WeBuyEquipment) ↗

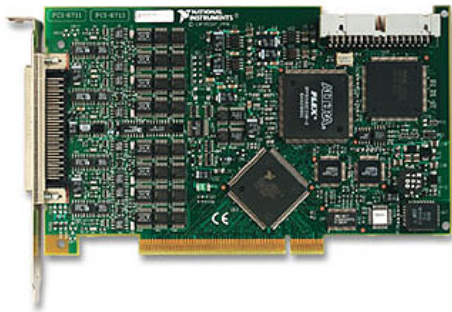
### LOOKING FOR MORE INFORMATION?

Visit us on the web at [www.artisanng.com](http://www.artisanng.com) ↗ for more information on price quotations, drivers, technical specifications, manuals, and documentation

**Contact us:** (888) 88-SOURCE | [sales@artisanng.com](mailto:sales@artisanng.com) | [www.artisanng.com](http://www.artisanng.com)

Last Revised: 2011-02-25 15:53:58.0

## High-Speed Voltage Output – Up to 1 MS/s/Channel, up to 16 Bits, up to 32 Channels



- Low-cost arbitrary waveform generation and high-channel density
- Integrated multidevice synchronization bus
- Digital triggering and external clocking
- Simultaneous updates

- 8 digital I/O lines (TTL/CMOS)
- Two 24-bit counter/timers
- Measurement services that simplify configuration and measurements

### Overview

NI 67xx high-speed voltage output devices combine the latest in PC technologies to deliver simultaneous, multichannel updates for control and waveform output applications. Use these modules in a variety of applications, including stimulus-response, power supply control, high-speed, deterministic control, and sensor/signal simulation.

[Back to Top](#)

### Requirements and Compatibility

#### OS Information

- Windows 2000/XP
- Windows Vista x64/x86
- Linux®
- Mac OS X
- Windows NT

#### Driver Information

- NI-DAQmx

#### Software Compatibility

- Visual C++
- Visual Studio .NET

[Back to Top](#)

### Comparison Tables

Family	Bus	Analog Output	Update Rate per Channel (S/s)	Output Resolution	Output Range (V)	External Voltage Reference	Digital I/O	Counter/Timers	Triggering
NI 6711	PCI, PXI	4	1M	12	±10	yes	8	2, 24-bit	Digital
NI 6713	PCI, PXI	8	740 k to 1M	12	±10	yes	8	2, 24-bit	Digital
NI 6715	PCMCIA	8	100 k to 1M	12	±10	yes	8	2, 24-bit	Digital
NI 6722	PCI, PXI	8	182 to 800 k	13	±10	no	8	2, 24-bit	Digital
NI 6723	PCI, PXI	32	45 to 800 k	13	±10	no	8	2, 24-bit	Digital
NI 6731	PCI	4	1M	16	±10	yes	8	2, 24-bit	Digital
NI 6733	PCI, PXI	8	740 k to 1M	13	±10	yes	8	2, 24-bit	Digital

## Application and Technology

### Features

The versatile NI high-speed voltage output devices commonly replace several kinds of instruments including stand-alone proportional integral derivative (PID) controllers, low-speed arbitrary waveform generators, and function generators.

### Waveform Generation

These devices are capable of updating at rates up to 1 MS/s, giving you the ability to generate waveforms up to 500 kHz. When using these devices, you have complete control of each data point that is updated on the output for each channel. This feature is significant because you can define not only common waveforms such as square, sine, or sawtooth but also complex waveforms. For instance, you are able to create a sine wave that is overlaid with noise in which the amplitude and noise shape are user-defined. In practice, the waveform is defined in a software buffer, within PC memory, and is streamed to the voltage output device using direct memory access (DMA) data transfers. Using DMA transfers, the amount of memory located on board the voltage output device is minimized and swapped with inexpensive PC memory.

### Real-Time Control

You can use NI high-speed voltage output devices with the NI LabVIEW Real-Time Module to deliver real-time, deterministic control loop execution. Because they are compatible with LabVIEW Real-Time, common control algorithms such as PID are simple to implement but, more importantly, you may prototype and implement complex, cutting-edge control algorithms as well. High-performance control, on the order of eight PID loops running in excess of 20 kHz each, is possible with this combination of hardware and software. Each high-speed voltage output device offers multichannel simultaneous updates and hardware-timed single-point updates.

### Multidevice Synchronization

Each high-speed voltage output device offers the ability to be master or slave of a multidevice timing and triggering system. Use integration technologies such as the RTSI bus, PXI trigger bus, and PFI pins to trigger and synchronize to a wide variety of I/O types. These I/O types range from analog input, image acquisition, motion control, and high-speed digitizers to multifunction data acquisition devices. With these integration infrastructures, you can create powerful, custom test and control systems with ease.

### Measurement Services Software

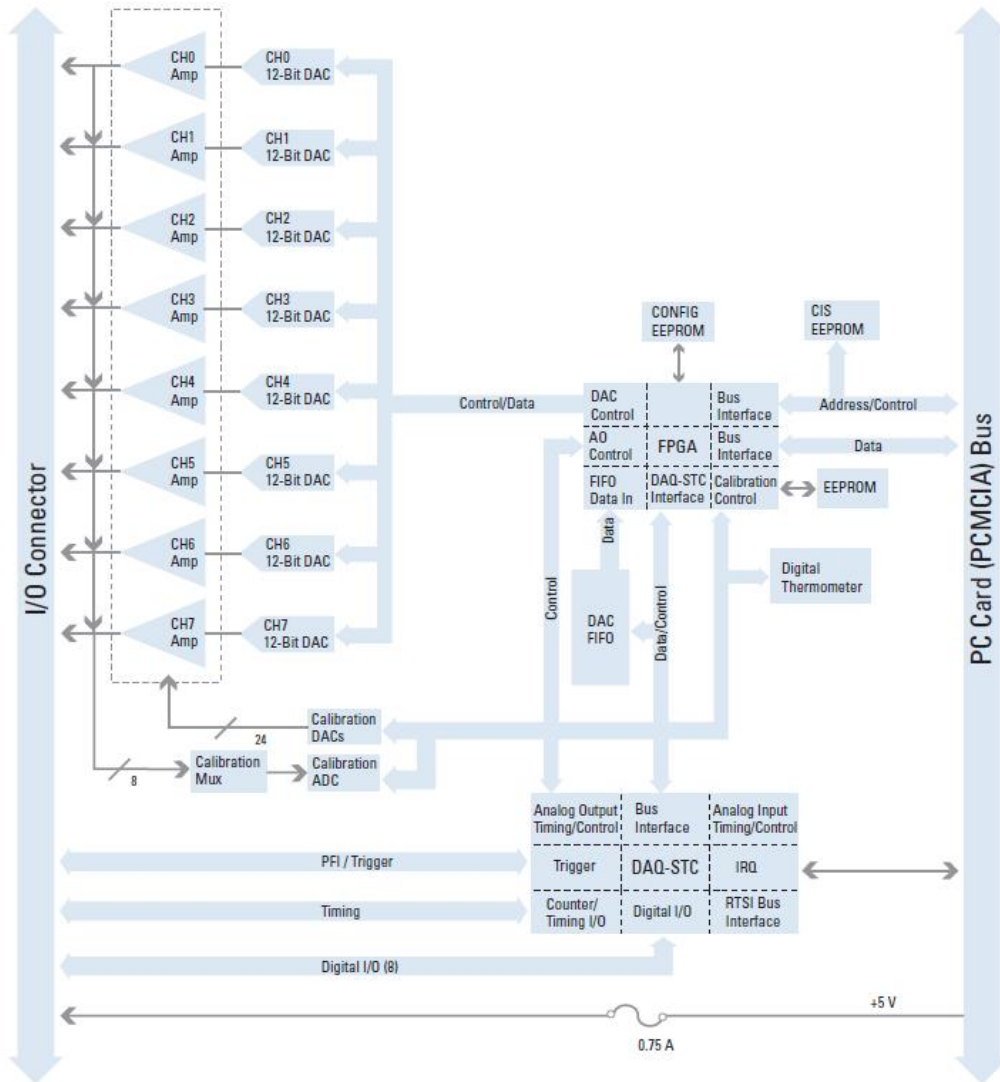
National Instruments measurement services software, built around NI-DAQmx driver software, features intuitive application programming interfaces, configuration tools, I/O assistants, and other tools designed to reduce system setup, configuration, and development time. This software, part of your data acquisition purchase, includes helpful features such as:

- **Automatic code generation** – The DAQ Assistant is an interactive guide that helps you navigate through configuring, testing, and programming analog output tasks and automatically generates the necessary code for NI LabVIEW, LabWindows/CVI, and Measurement Studio software.
- **Cleaner code development** – Basic and advanced software functions have been combined into one easy-to-use yet powerful set to help you build cleaner code and move from basic to advanced applications without replacing functions.
- **High-performance driver engine** – NI-DAQmx delivers maximum I/O system throughput with a multithreaded driver.
- **Test panels** – With the NI Measurement & Automation Explorer (MAX) configuration utility, you can test all of your module functionality before you begin development.
- **Scaled channels** – Easily scale your voltage data into the proper engineering units using the NI-DAQmx measurement-ready virtual channels by choosing from a list of common sensors and signals or creating your own custom scale .
- **LabVIEW integration** – All NI-DAQmx functions create the waveform data type, which carries acquired data and timing information directly into more than 400 LabVIEW built-in analysis routines for display of results in engineering units on a graph.

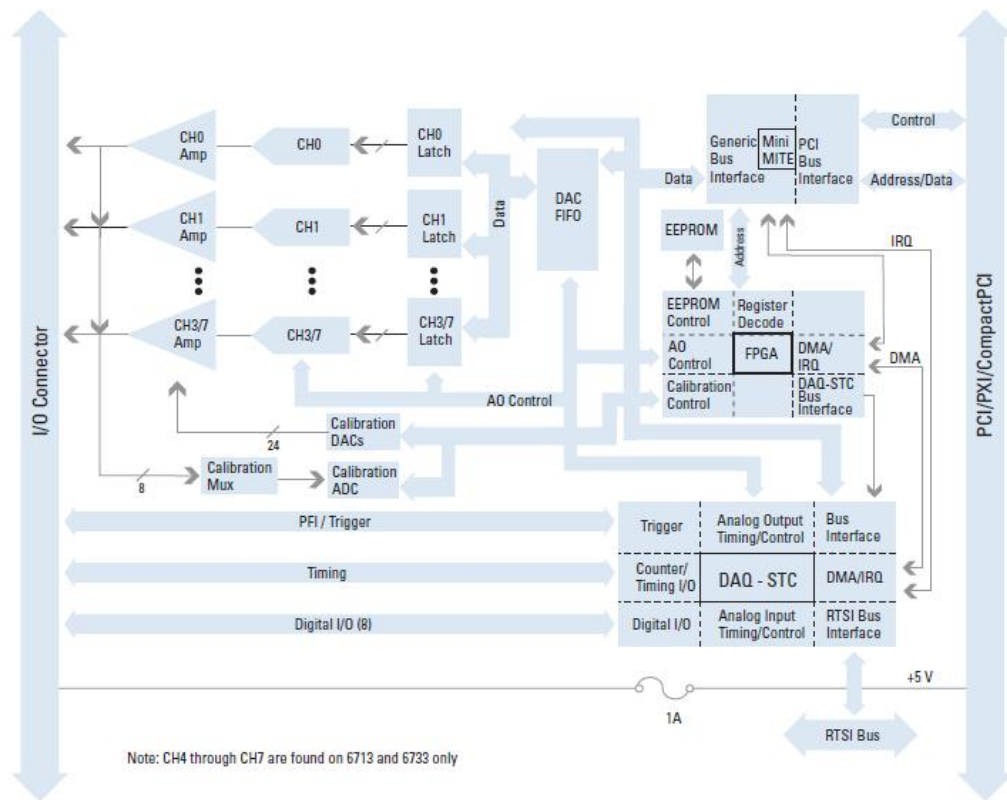
### NI-DAQmx Base Driver

NI-DAQmx Base (available at [ni.com/downloads](http://ni.com/downloads)) offers Mac OS X and Linux users a programming interface similar to NI-DAQmx. It features ready-to-use LabVIEW VIs and C function features similar to those included in NI-DAQmx driver software.

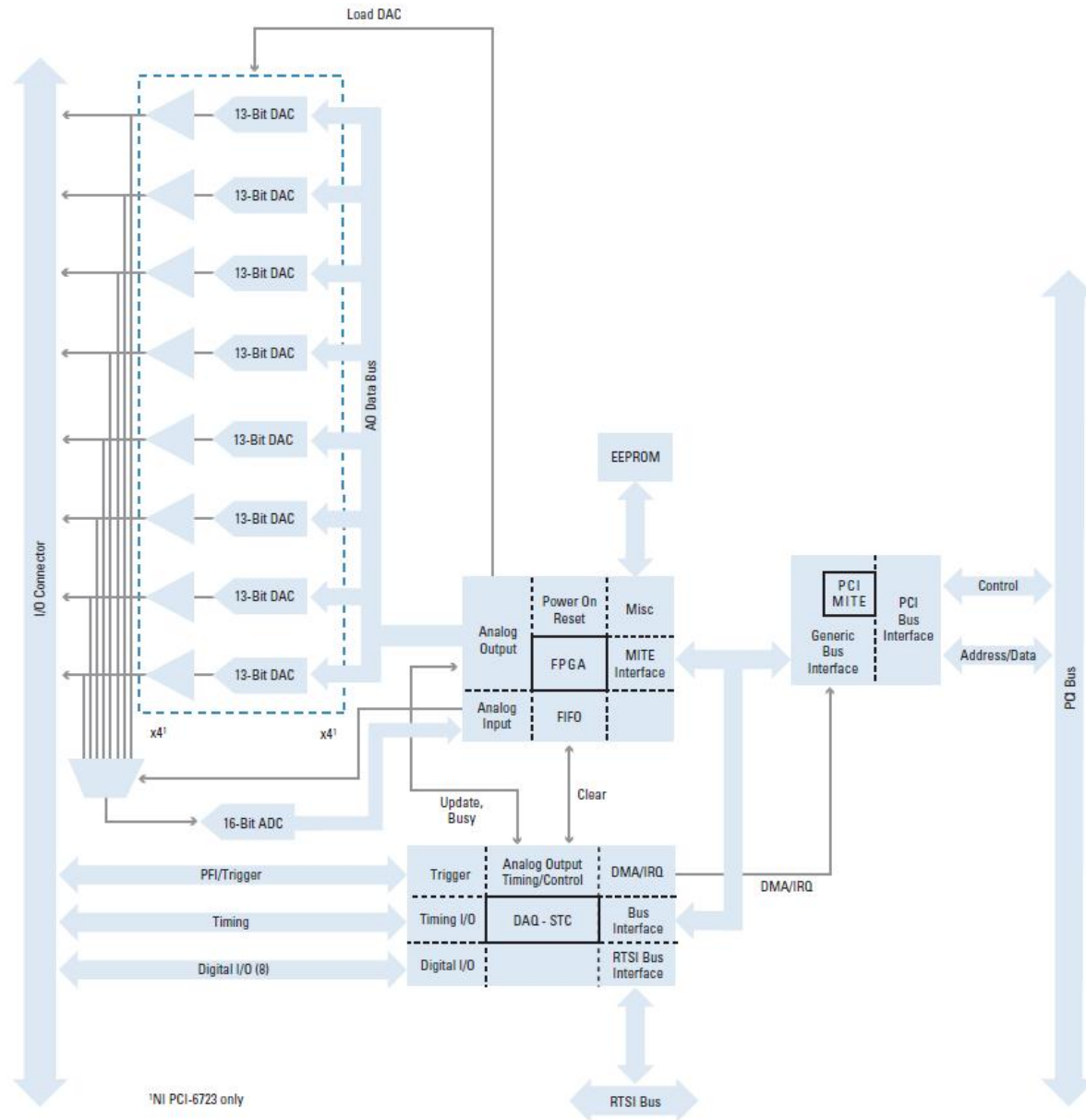
### NI DAQCard-6715 Hardware Block Diagram



NI 671x and NI 673x Hardware Block Diagram



NI 672x Hardware Block Diagram



## High-Speed Voltage Output Cables and Accessories

### Recommended Configurations

- Shielded options for minimal noise interference
- Direct connectivity options such as BNC
- Low-cost options for OEM
- Front-mount terminal block for PXI
- Custom connectivity with the CA-1000

Model	Shielding	Connect to ...	Cable	Accessory
NI 673x,	Shielded	BNC	SH68-68-EP	BNC-2110
NI 671x	Shielded	Screw terminals	SH68-68-EP	SCB-68 or TBX-68
	Shielded	Screw terminals	–	TB-2705 (PXI)
	Shielded	Custom	SH68-68-EP	CA-1000
	Unshielded	Screw terminals	R6868	CB-68LP or CB-68LPR
NI 6723	Shielded	BNC	2 SH68-C68-S	BNC-2110 and BNC-2115
	Shielded	Screw terminals	2 SH68-C68-S	2 SCB-68 or TBX-68
	Shielded	Custom	2 SH68-C68-S	2 CA-1000
NI 6722	Shielded	BNC	SH68-C68-S	BNC-2110
	Shielded	Screw terminals	SH68-C68-S	SCB-68
	Shielded	Custom	SH68-C68-S	CA-1000
	Unshielded	Screw terminals	RC68-68	CB-68LP or CB-68LPR
DAQCard-6715	Shielded	BNC	SHC68-68-EPM	BNC-2110
	Shielded	Screw terminals	SHC68-68-EPM	SCB-68
	Shielded	Custom	SHC68-68-EPM	CA-1000
	Unshielded	Screw terminals	RC68-68	CB-68LP or CB-68LPR

### I/O Connector Blocks

**BNC-2110** – Shielded I/O connector block with signal-labeled BNC connectors for easy connectivity of your analog output (AO), digital I/O (DIO), and counter/timer signals. Dimensions – 20.3 by 11.2 by 5.5 cm (8.0 by 4.4 by 2.2 in.)

BNC-2110.....777643-01

**BNC-2115** – Shielded I/O connector block with signal-labeled BNC connectors for easy connectivity of your extended analog output on NI 6723 devices. Dimensions – 20.3 by 11.2 by 5.5 cm (8.0 by 4.4 by 2.2 in.)

BNC-2115.....777807-01

**SCB-68** – Shielded I/O connector block that gives you rugged, very low-noise signal termination. The SCB-68 also houses silk-screened component locations for easy addition of simple signal conditioning circuitry for your AO channels. Dimensions – 19.5 by 15.2 by 4.5 cm (7.7 by 6.0 by 1.8 in.)

SCB-68 .....776844-01

**CA-1000** – Configurable enclosure that gives you user-defined connectivity and flexibility through customized panelettes. Dimensions – 30.7 by 25.4 by 4.3 cm (12.1 by 10 by 1.7 in.)

CA-1000 .....777664-01

**TBX-68** – 68 screw terminals for easy connection of field signals to 68-pin DAQ devices. It includes one 68-pin male connector for direct connection to 68-pin cables. The TBX-68 is mounted in a protective plastic base with hardware for mounting on a standard DIN rail. Dimensions – 12.50 by 10.74 cm (4.92 by 4.23 in.)

TBX-68 .....777141-01

**CB-68LP, CB-68LPR** – 68 screw terminals for easy connection of field signals to AO devices. They include one 68-pin male connector for direct connection to 68-pin cables. The connector blocks include standoffs for use on a desktop or for mounting in a custom panel. The CB-68LP has a vertical mounted 68-pin connector. The CB-68LPR has a right-angle mounted connector and can also be used with the CA-1000. Dimensions – 14.35 by 10.74 cm (5.65 by 4.23 in.); 7.62 by 16.19 cm (3.00 by 6.36 in.)

CB-68LP .....777145-01

CB-68LPR.....777145-02

**TB-2705** – 68-pin screw-terminal block for NI PXI-671x and PXI-673x modules. Latches to the front of your PXI module with locking screws and provides strain relief as well as easy access to your analog, digital, trigger, and counter/timer signals through screw terminals. Does not work with NI 6703 or NI 6704 devices. Dimensions – 8.43 by 10.41 by 2.03 cm (3.32 by 4.1 by 0.8 in.)

TB-2705 .....778241-01

### Synchronization Cables

**RTSI Bus Cables** – Used to connect timing and synchronization signals among measurement, vision, motion, and CAN boards for PCI. For systems with long and short boards, use the extended RTSI cable.

- 2 boards .....776249-02
- 3 boards .....776249-03
- 4 boards .....776249-04
- 5 boards .....776249-05
- Extended, 5 boards .....777562-05

### Shielded I/O Cables

**SH68-68-EP** – Shielded 68-conductor cable terminated with two 68-pin female 0.050 series D-type connectors, featuring individually shielded analog twisted pairs for reduced crosstalk with high-speed devices. This cable works with all NI 671x and NI 673x devices.

1 m .....184749-01

**SHC68-68-EP** – Shielded cable for connecting and latching the NI DAQCard-6715, NI 6722, and NI 6723 to standard 68-pin accessories. Latching screws secure the shielded connector to the device itself for stability. Use this cable for a DAQCard located in the bottom PCMCIA slot of a laptop.

0.5 m .....186838-0R5

1 m .....186838-01

**SHC68U-68-EP** – Identical to the SHC68-68-EP except the DAQCard connector is inverted so you can use two latching DAQCard devices in adjacent slots. Use this cable with a DAQCard inserted in the upper PCMCIA slot of a laptop.



0.5 m .....187406-0R5  
 1 m ..... 187406-01

**SH68-C68-S** – Shielded cable for connecting and latching NI 672x devices to standard 68-pin accessories.

2 m .....186381-02

**Ribbon I/O Cables**

**R6868** – 68-conductor flat ribbon cable terminated with two 68-pin connectors. Use this cable to connect the NI 670x, NI 671x, and NI 673x devices to low-cost 68-pin accessories.

1 m .....182482-01

**RC68-68** – 68-conductor flat ribbon cable terminated with one VHDCI 68-pin connector and one 68-pin SCSI II connector. Use this cable to connect the NI 6722 devices and DAQCard-6715 with standard 68-pin accessories.

1 m .....187252-01



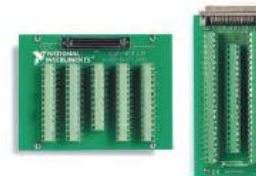
BNC-2110



SCB-68



CA-1000



CB-68LP I/O and CB-68LPR



RTSI Bus Cable



SH68-68-EP  
Shielded Cable



SHC68-68-EP



R6868 Ribbon Cable

[Back to Top](#)

**Ordering Information**

For a complete list of accessories, visit the product page on ni.com.

Products	Part Number	Recommended Accessories	Part Number
<b>NI PCI-6722</b>			
NI PCI-6722 Requires: 1 Cables , 1 Connector Blocks	778705-01	<b>Cables:</b> Shielded - SH68-C68-S Cable (2m)	186381-02
		<b>Connector Blocks:</b> Spring-Screw_Terminals - SCB-68 <i>**Also Available: BNC_Terminals</i>	776844-01
<b>NI PXI-6722</b>			
NI PXI-6722 Requires: 1 Cable , 1 Connector Block	778999-01	<b>Cable:</b> Shielded - SH68-C68-S Cable (2m)	186381-02
		<b>Connector Block:</b> Spring-Screw_Terminals - SCB-68 <i>**Also Available: BNC_Terminals</i>	776844-01
<b>NI PCI-6723</b>			
NI PCI-6723 Requires: 2 Cable , 2 Connector Block	778701-01	<b>Connector 0:</b>	
		<b>Cable:</b> Shielded - SH68-C68-S Cable (2m)	186381-02
		<b>Connector Block:</b> Spring-Screw_Terminals - SCB-68	776844-01



**\*\*Also Available: BNC\_Terminals**

**Connector 1:**

**Cable:** Shielded - SH68-C68-S Cable (2m) 186381-02

**Connector Block:** Spring-Screw\_Terminals - SCB-68 776844-01

**\*\*Also Available: BNC\_Terminals**

**NI PXI-6723**

**NI PXI-6723** 778998-01

Requires: 2 Cable , 2 Connector Block

**Connector 0:**

**Cable:** Shielded - SH68-C68-S Cable (2m) 186381-02

**Connector Block:** Spring-Screw\_Terminals - SCB-68 776844-01

**\*\*Also Available: BNC\_Terminals**

**Connector 1:**

**Cable:** Shielded - SH68-C68-S Cable (2m) 186381-02

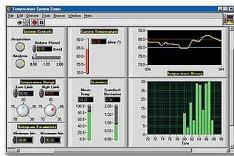
**Connector Block:** Spring-Screw\_Terminals - SCB-68 776844-01

**\*\*Also Available: BNC\_Terminals**

[Back to Top](#)

**Software Recommendations**

**LabVIEW Professional Development System for Windows**



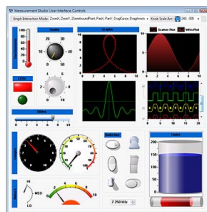
- Advanced software tools for large project development
- Automatic code generation using DAQ Assistant and Instrument I/O Assistant
- Tight integration with a wide range of hardware
- Advanced measurement analysis and digital signal processing
- Open connectivity with DLLs, ActiveX, and .NET objects
- Capability to build DLLs, executables, and MSI installers

**NI LabWindows™/CVI for Windows**



- Real-time advanced 2D graphs and charts
- Complete hardware compatibility with IVI, VISA, DAQ, GPIB, and serial
- Analysis tools for array manipulation, signal processing statistics, and curve fitting
- Simplified cross-platform communication with network variables
- Measurement Studio .NET tools (included in LabWindows/CVI Full only)
- The mark LabWindows is used under a license from Microsoft Corporation.

**NI Measurement Studio Professional Edition**



- Support for Microsoft Visual Studio .NET 2010/2008/2005
- Customizable Windows Forms and Web Forms controls for test and measurement user interface design
- Hardware integration support with data acquisition and instrument control libraries
- Automatic code generation with data acquisition, instrument control, and parameter assistants
- Cross-platform communication with network variables
- Analysis libraries for array operations, signal generation, windowing, filters, signal processing

[Back to Top](#)

**Support and Services**

**System Assurance Programs**

NI system assurance programs are designed to make it even easier for you to own an NI system. These programs include configuration and deployment services for your NI PXI, CompactRIO, or Compact FieldPoint system. The NI Basic System Assurance Program provides a simple integration test and ensures that your system is delivered completely assembled in one box. When you configure your system with the NI Standard System Assurance Program, you can select from available NI system driver sets and application development environments to create customized, reorderable software configurations. Your system arrives fully assembled and tested in one box with your software preinstalled. When you order your system with the standard program, you also receive system-specific documentation including a bill of materials, an integration test report, a recommended maintenance plan, and frequently asked question documents. Finally, the standard program reduces the total cost of owning an NI system by providing three years of warranty coverage and calibration service. Use the online product advisors at [ni.com/advisor](http://ni.com/advisor) to find a system assurance program to meet your needs.

**Calibration**

NI measurement hardware is calibrated to ensure measurement accuracy and verify that the device meets its published specifications. NI offers a number of calibration services to help maintain the ongoing accuracy of your measurement hardware. These services allow you to be completely confident in your measurements, and help you maintain compliance to standards like ISO 9001, ANSI/NCSL Z540-1 and ISO/IEC 17025. To learn more about NI calibration services or to locate a qualified service center near you, contact your local sales office or visit [ni.com/calibration](http://ni.com/calibration).

## Technical Support

Get answers to your technical questions using the following National Instruments resources.

- **Support** - Visit [ni.com/support](http://ni.com/support) to access the NI KnowledgeBase, example programs, and tutorials or to contact our applications engineers who are located in NI sales offices around the world and speak the local language.
- **Discussion Forums** - Visit [forums.ni.com](http://forums.ni.com) for a diverse set of discussion boards on topics you care about.
- **Online Community** - Visit [community.ni.com](http://community.ni.com) to find, contribute, or collaborate on customer-contributed technical content with users like you.

## Repair

While you may never need your hardware repaired, NI understands that unexpected events may lead to necessary repairs. NI offers repair services performed by highly trained technicians who quickly return your device with the guarantee that it will perform to factory specifications. For more information, visit [ni.com/repair](http://ni.com/repair).

## Training and Certifications

The NI training and certification program delivers the fastest, most certain route to increased proficiency and productivity using NI software and hardware. Training builds the skills to more efficiently develop robust, maintainable applications, while certification validates your knowledge and ability.

- **Classroom training in cities worldwide** - the most comprehensive hands-on training taught by engineers.
- **On-site training at your facility** - an excellent option to train multiple employees at the same time.
- **Online instructor-led training** - lower-cost, remote training if classroom or on-site courses are not possible.
- **Course kits** - lowest-cost, self-paced training that you can use as reference guides.
- **Training memberships** and training credits - to buy now and schedule training later.

Visit [ni.com/training](http://ni.com/training) for more information.

## Extended Warranty

NI offers options for extending the standard product warranty to meet the life-cycle requirements of your project. In addition, because NI understands that your requirements may change, the extended warranty is flexible in length and easily renewed. For more information, visit [ni.com/warranty](http://ni.com/warranty).

## OEM

NI offers design-in consulting and product integration assistance if you need NI products for OEM applications. For information about special pricing and services for OEM customers, visit [ni.com/oem](http://ni.com/oem).

## Alliance

Our Professional Services Team is comprised of NI applications engineers, NI Consulting Services, and a worldwide National Instruments Alliance Partner program of more than 600 independent consultants and integrators. Services range from start-up assistance to turnkey system integration. Visit [ni.com/alliance](http://ni.com/alliance).

[Back to Top](#)

## Detailed Specifications

このドキュメントの日本語版については、[ni.com/manuals](http://ni.com/manuals) を参照してください。  
(For a Japanese language version, go to [ni.com/manuals](http://ni.com/manuals).)

This document lists the specifications for the NI 6722/6723 analog output devices. The following specifications are typical at 25 °C unless otherwise noted.



**Note** With NI-DAQmx, National Instruments has revised its terminal names so they are easier to understand and more consistent among NI hardware and software products. The revised terminal names used in this document are usually similar to the names they replace. For a complete list of Traditional NI-DAQ terminal names and their NI-DAQmx equivalents, refer to the Terminal Name Equivalents section of Chapter 2, *I/O Connector*, of the *Analog Output Series User Manual*.

### Analog Output

#### Output Characteristics

Number of channels

NI 6722 8 voltage outputs

NI 6723 32 voltage outputs

Resolution 13 bits, 1 in 8,192

Max update rate		
Number of Channels	Max Update Rate	
	Using Local FIFO (kS/s) <sup>1</sup>	Using Host PC Memory (kS/s) <sup>2</sup>
1	800	800
2	714	714
8	476	182
16	333	90.9

Max update rate		
Number of Channels	Max Update Rate	
	Using Local FIFO (kS/s) <sup>1</sup>	Using Host PC Memory (kS/s) <sup>2</sup>
24	253	60
32	204	45

Type of DAC	Double-buffered, voltage
FIFO buffer size	2,047 samples
DMA channels	3
Data transfers	DMA, interrupts, programmed I/O
DMA modes	Scatter-gather

#### Accuracy Information

Nominal Range at Full Scale (V)	Absolute Accuracy					
	% of Reading			Offset (mV)	Temp Drift (%/°C)	Absolute Accuracy at Full Scale (mV)
	24 Hours	90 Days	1 Year			
±10	0.0335%	0.0355%	0.0377%	±7.010	0.0005%	10.78
Absolute accuracy = (% of Reading × Voltage) + Offset + (Temp Drift × Voltage) Note: Temp drift applies only if ambient is greater than ±10 °C of previous external calibration.						

#### Transfer Characteristics

Relative accuracy (INL)	±2.0 LSB max
DNL	±0.9 LSB max
Monotonicity	13 bits

#### Voltage Output

Range	±10 V
Output coupling	DC
Output impedance	0.1 Ω max
Current drive	±5 mA max
Output stability	Any passive load
Protection	Short-circuit to ground
Power-on state	0 V (±200 mV)

#### External Reference Input

Range	±11 V
Oversvoltage protection	±27 V powered on, ±12 V powered off
Input impedance	10 kΩ

#### Dynamic Characteristics

Slew rate	0.7 V/μs
Noise	1.0 mV <sub>rms</sub> , DC to 1 MHz
Channel crosstalk	– 65 dB with SH68-C68-S cable (generating a 10 V, 100 point sinusoidal at 100 kHz on the reference channel)
Settling time	45 μs typ, 55 μs max to ±0.5 LSB
Glitch energy (at mid-scale transition)	
Magnitude	400 mV
Duration	2 μs
Channel-to-channel update glitch	
Magnitude	100 mV
Duration	1.2 μs

**Note** Channel-to-channel update glitch is the energy glitch that occurs on all channels as the result of a channel update. For example, if you update the value of Channel

7, all other channels will experience this glitch regardless of whether their output voltages change.

## Stability

### Calibration

Recommended warm-up time	15 min
Calibration interval	1 yr
Onboard calibration reference	
Level	5.000 V ( $\pm 2.5$ mV) (actual value stored in EEPROM)
Temperature coefficient	$\pm 5.0$ ppm/ $^{\circ}$ C max
Long-term stability	$\pm 15$ ppm/ $\sqrt{1,000}$ h

## Digital I/O

Number of channels	8 input/output
Compatibility	TTL/CMOS

Digital logic levels		
Level	Min	Max
Input low voltage	0 V	0.8 V
Input high voltage	2.0 V	5.0 V
Input low current ( $V_{in} = 0$ V)	—	$-320$ $\mu$ A
Input high current ( $V_{in} = 5$ V)	—	10 $\mu$ A
Output low voltage ( $I_{OL} = 24$ mA)	—	0.4 V
Output high voltage ( $I_{OH} = -13$ mA)	4.35 V	—

Power-on state	Input (high-impedance)
Data transfers	Programmed I/O

## Timing I/O

Number of channels	2 up/down counter/timers, 1 frequency scaler
Resolution	
Counter/timers	24 bits
Frequency scaler	4 bits
Compatibility	5 V TTL/CMOS
Base clocks available	
Counter/timers	20 MHz, 100 kHz
Frequency scaler	10 MHz, 100 kHz
Base clock accuracy	$\pm 0.01\%$
Max external source frequency	
Frequency scaler	20 MHz
External source selections	PFI <0..9>, RTSI <0..6>
External gate selections	PFI <0..9>, RTSI <0..6>
Min source pulse duration	10 ns, edge-detect mode
Min gate pulse duration	10 ns, edge-detect mode
Data transfers	
Up/down counter/timers	DMA (scatter-gather), interrupts, programmed I/O
Frequency scaler	Programmed I/O

DMA

Channels	1 (scatter-gather)
Data source/destination	Analog output, counter/timer 0, counter/timer 1
<b>Triggers</b>	
<b>Digital Trigger</b>	
Purpose	
Analog output	Start trigger, gate, clock
Counter/timers	Source, gate
Source	PFI <0..9>
Compatibility	5 V TTL
Response	Rising or falling edge
Pulse width	10 ns min
<b>RTSI Bus (PCI Only)</b>	
Trigger lines <0..6>	7
RTSI clock	1
<b>PXI Trigger Bus (PXI Only)</b>	
Trigger lines <0..5>	6
Star trigger	1
Clock	1
<b>Bus Interface</b>	
NI PCI-6722/6723	3.3 V or 5 V PCI master, slave
NI PXI-6722/6723	PXI/CompactPCI master, slave
<b>Power Requirement</b>	
+3.3 VDC (±5%)	300 mA
+5 VDC (±5%)	1.5 A typ, 3 A max (not including power sourced from +5 V pin on I/O connector)
Power available at I/O connector	+4.65 to +5.25 VDC at 1 A
<b>Physical</b>	
Dimensions (not including connectors)	
NI PCI-6722/6723	17.4 × 9.8 cm (6.85 × 3.85 in.)
NI PXI-6722/6723	16 × 10 cm (6.3 × 3.9 in.)
I/O connector	
NI 6722	1 68-pin VHDCI
NI 6723	2 68-pin VHDCI
<b>Maximum Working Voltage</b>	
Maximum working voltage refers to the signal voltage plus the common-mode voltage.	
Channel-to-earth	±11 V, Installation Category I
Channel-to-channel	±22 V, Installation Category I
<b>Environmental</b>	
The NI 6722/6723 is intended for indoor use only.	
Operating temperature	0 to 50 °C
Storage temperature	-20 to 70 °C
Humidity	5 to 90% RH, noncondensing
Maximum altitude	2,000 meters
Pollution Degree	2



**Note** Clean the device with a soft, non-metallic brush. Make sure that the device is completely dry and free from contaminants before returning it to service.

## Safety

This product is designed to meet the requirements of the following standards of safety for electrical equipment for measurement, control, and laboratory use:

- IEC 61010-1, EN 61010-1
- UL 61010-1, CSA 61010-1



**Note** For UL and other safety certifications, refer to the product label or the *Online Product Certification* section.

## Electromagnetic Compatibility

This product is designed to meet the requirements of the following standards of EMC for electrical equipment for measurement, control, and laboratory use:

- EN 61326 EMC requirements; Minimum Immunity
- EN 55011 Emissions; Group 1, Class A
- CE, C-Tick, ICES, and FCC Part 15 Emissions; Class A



**Note** For EMC compliance, operate this device with shielded cabling.

## CE Compliance

This product meets the essential requirements of applicable European Directives, as amended for CE marking, as follows:

- 73/23/EEC; Low-Voltage Directive (safety)
- 89/336/EEC; Electromagnetic Compatibility Directive (EMC)



**Note** Refer to the Declaration of Conformity (DoC) for this product for any additional regulatory compliance information. To obtain the DoC for this product, visit [ni.com/certification](http://ni.com/certification), search by model number or product line, and click the appropriate link in the Certification column.

## Online Product Certification

Refer to the product Declaration of Conformity (DoC) for additional regulatory compliance information. To obtain product certifications and the DoC for this product, visit [ni.com/certification](http://ni.com/certification), search by module number or product line, and click the appropriate link in the Certification column.

## Waste Electrical and Electronic Equipment (WEEE)



**EU Customers** At the end of their life cycle, all products *must* be sent to a WEEE recycling center. For more information about WEEE recycling centers and National Instruments WEEE initiatives, visit [ni.com/environment/weee.htm](http://ni.com/environment/weee.htm).

### 电子信息产品污染控制管理办法（中国 RoHS）



**中国客户** National Instruments 符合中国电子信息产品中限制使用某些有害物质指令 (RoHS)。关于 National Instruments 中国 RoHS 合规性信息，请登录 [ni.com/environment/rohs\\_china](http://ni.com/environment/rohs_china)。(For Information about China RoHS compliance, go to [ni.com/environment/rohs\\_china](http://ni.com/environment/rohs_china).)

<sup>1</sup> These numbers apply to continuous waveform generation, which allows for the fastest waveform generation because it does not use the PCI bus. The max update rate in FIFO mode does not change regardless of the number of devices in the system. The NI 6722/6723 does not take any time to reset the FIFO to the beginning when cycling through it.

<sup>2</sup> These results were measured using a PCI-6722/6723 device with a 550 MHz Pentium III machine. These numbers may change when using more devices or when other CPU or bus activity occurs.

[Back to Top](#)

## Pinouts/Front Panel Connections

AO GND	34	68	NC
NC	33	67	AO GND
AO GND	32	66	AO GND
AO GND	31	65	AO 7
AO 6	30	64	AO GND
AO GND	29	63	AO GND
AO 5	28	62	NC
AO GND	27	61	AO GND
AO GND	26	60	AO 4
AO 3	25	59	AO GND
AO GND	24	58	AO GND
AO GND	23	57	AO 2
AO 0	22	56	AO GND
AO 1	21	55	AO GND
CAL	20	54	AO GND
P0.4	19	53	D GND
D GND	18	52	P0.0
P0.1	17	51	P0.5
P0.6	16	50	D GND
D GND	15	49	P0.2
+5 V	14	48	P0.7
D GND	13	47	P0.3
D GND	12	46	NC
PFI 0	11	45	EXT STROBE
PFI 1	10	44	D GND
D GND	9	43	PFI 2
+5 V	8	42	PFI 3/CTR 1 SOURCE
D GND	7	41	PFI 4/CTR 1 GATE
PFI 5/AO SAMP CLK	6	40	CTR 1 OUT
PFI 6/AO START TRIG	5	39	D GND
D GND	4	38	PFI 7
PFI 9/CTR 0 GATE	3	37	PFI 8/CTR 0 SOURCE
CTR 0 OUT	2	36	D GND
FREQ OUT	1	35	D GND

NC = No Connect

NI 6722 68-Pin AO I/O Connector Pin Assignments



NC	68	34	AO GND	AO 8	68	34	AO GND
AO GND	67	33	NC	AO GND	67	33	AO 9
AO GND	66	32	AO GND	AO GND	66	32	AO 10
AO 7	65	31	AO GND	AO 11	65	31	AO GND
AO GND	64	30	AO 6	AO GND	64	30	AO 12
AO GND	63	29	AO GND	AO GND	63	29	AO 13
NC	62	28	AO 5	AO 14	62	28	AO GND
AO GND	61	27	AO GND	AO GND	61	27	AO 15
AO 4	60	26	AO GND	AO GND	60	26	AO 16
AO GND	59	25	AO 3	AO 17	59	25	AO GND
AO GND	58	24	AO GND	AO GND	58	24	AO 18
AO 2	57	23	AO GND	AO GND	57	23	AO 19
AO GND	56	22	AO 0	NC	56	22	NC
AO GND	55	21	AO 1	AO 20	55	21	AO GND
AO GND	54	20	CAL	AO GND	54	20	AO 21
D GND	53	19	P0.4	AO GND	53	19	AO 22
P0.0	52	18	D GND	AO 23	52	18	AO GND
P0.5	51	17	P0.1	AO GND	51	17	AO 24
D GND	50	16	P0.6	AO GND	50	16	AO 25
P0.2	49	15	D GND	AO 26	49	15	AO GND
P0.7	48	14	+5 V	AO GND	48	14	AO 27
P0.3	47	13	D GND	AO GND	47	13	AO 28
NC	46	12	D GND	AO 29	46	12	AO GND
EXT STROBE	45	11	PFI 0	AO GND	45	11	AO 30
D GND	44	10	PFI 1	AO GND	44	10	AO 31
PFI 2	43	9	D.GND	NC	43	9	NC
PFI 3/CTR 1 SOURCE	42	8	+5 V	NC	42	8	NC
PFI 4/CTR 1 GATE	41	7	D GND	NC	41	7	NC
CTR 1 OUT	40	6	PFI 5/AO SAMP CLK	NC	40	6	NC
D GND	39	5	PFI 6/AO START TRIG	NC	39	5	NC
PFI 7	38	4	D GND	NC	38	4	NC
PFI 8/CTR 0 SOURCE	37	3	PFI 9/CTR 0 GATE	NC	37	3	NC
D GND	36	2	CTR 0 OUT	NC	36	2	NC
D GND	35	1	FREQ OUT	NC	35	1	NC

AO 0-7 & DIGITAL Connector

AO 8-31 Connector

NI 6723 68-68-Pin Extended AO I/O Connector Pin Assignments

[Back to Top](#)

©2009 National Instruments. All rights reserved. CompactRIO, CVI, DAQCard, FieldPoint, LabVIEW, Measurement Studio, MITE, National Instruments, National Instruments Alliance Partner, NI, ni.com, and RTSI are trademarks of National Instruments. The mark LabWindows is used under a license from Microsoft Corporation. Windows is a registered trademark of Microsoft Corporation in the United States and other countries. Other product and company names listed are trademarks or trade names of their respective companies. A National Instruments Alliance Partner is a business entity independent from National Instruments and has no agency, partnership, or joint-venture relationship with National Instruments.

[My Profile](#) | [RSS](#) | [Privacy](#) | [Legal](#) | [Contact NI](#) © 2012 National Instruments Corporation. All rights reserved.



## Artisan Technology Group is your source for quality new and certified-used/pre-owned equipment

- FAST SHIPPING AND DELIVERY
- TENS OF THOUSANDS OF IN-STOCK ITEMS
- EQUIPMENT DEMOS
- HUNDREDS OF MANUFACTURERS SUPPORTED
- LEASING/MONTHLY RENTALS
- ITAR CERTIFIED SECURE ASSET SOLUTIONS

### SERVICE CENTER REPAIRS

Experienced engineers and technicians on staff at our full-service, in-house repair center

### *InstraView*<sup>SM</sup> REMOTE INSPECTION

Remotely inspect equipment before purchasing with our interactive website at [www.instraview.com](http://www.instraview.com) ↗

### WE BUY USED EQUIPMENT

Sell your excess, underutilized, and idle used equipment. We also offer credit for buy-backs and trade-ins. [www.artisanng.com/WeBuyEquipment](http://www.artisanng.com/WeBuyEquipment) ↗

### LOOKING FOR MORE INFORMATION?

Visit us on the web at [www.artisanng.com](http://www.artisanng.com) ↗ for more information on price quotations, drivers, technical specifications, manuals, and documentation

**Contact us:** (888) 88-SOURCE | [sales@artisanng.com](mailto:sales@artisanng.com) | [www.artisanng.com](http://www.artisanng.com)