



## Artisan Technology Group is your source for quality new and certified-used/pre-owned equipment

- FAST SHIPPING AND DELIVERY
- TENS OF THOUSANDS OF IN-STOCK ITEMS
- EQUIPMENT DEMOS
- HUNDREDS OF MANUFACTURERS SUPPORTED
- LEASING/MONTHLY RENTALS
- ITAR CERTIFIED SECURE ASSET SOLUTIONS

### SERVICE CENTER REPAIRS

Experienced engineers and technicians on staff at our full-service, in-house repair center

### *InstraView*<sup>SM</sup> REMOTE INSPECTION

Remotely inspect equipment before purchasing with our interactive website at [www.instraview.com](http://www.instraview.com) ↗

### WE BUY USED EQUIPMENT

Sell your excess, underutilized, and idle used equipment. We also offer credit for buy-backs and trade-ins. [www.artisanng.com/WeBuyEquipment](http://www.artisanng.com/WeBuyEquipment) ↗

### LOOKING FOR MORE INFORMATION?

Visit us on the web at [www.artisanng.com](http://www.artisanng.com) ↗ for more information on price quotations, drivers, technical specifications, manuals, and documentation

**Contact us:** (888) 88-SOURCE | [sales@artisanng.com](mailto:sales@artisanng.com) | [www.artisanng.com](http://www.artisanng.com)

# NI Serial Hardware Specifications and Features Guide

This document lists safety and compliance information for NI Serial hardware, as well as physical specifications, software features, and recommended operating conditions.

## Contents

---

Supported Interfaces and Operating Systems .....	2
NI-Serial for Windows and LabVIEW Real-Time Supported Interfaces .....	2
Serial Hardware Features .....	6
USB LED Descriptions .....	7
ENET LED Descriptions .....	8
Connectors and Pinouts .....	9
DB-9 Male .....	9
10-Position Modular Jack (10P10C) .....	10
68-Pin Connector .....	11
Cables and Accessories .....	13
RS-232, RS-422, and RS-485 .....	14
RS-232, RS-422, and RS-485 Features .....	14
RS-232 Loopback .....	14
RS-232 Signals .....	14
RS-485/422 Loopback .....	15
RS-485/422 Signals .....	15
RS-485 Topologies .....	15
RS-485 Transceiver Control .....	16
UART Data Frame Example .....	16
Hardware Specifications .....	16
NI 9870 RS-232 C-Series Module .....	16
NI 9871 RS-485 C-Series Module .....	20
PCI Serial Hardware .....	22
PCI Express Serial Hardware .....	29
PXI Serial Hardware .....	35
PXI Express Serial Hardware .....	42
USB Serial Hardware .....	47
ENET Serial Hardware .....	52
ExpressCard Serial Hardware .....	55



PCMCIA Serial Hardware.....	59
Where to Go for Support .....	62

## Supported Interfaces and Operating Systems

**Table 1.** Supported Interfaces and Operating Systems

Hardware Interface	Windows 7 32-Bit	Windows 7 64-Bit	Windows Vista 32-Bit	Windows Vista 64-Bit	Windows 2000	Windows XP	Windows 2003 Server R2 32-Bit	Windows 2008 Server R2 64-Bit	LabVIEW Real-Time	Linux	Mac OS X
PCI/ PCI Express	✓	✓	✓	✓	✓ <sup>3</sup>	✓	✓	✓	✓	✓ <sup>4</sup>	
PXI/ PXI Express	✓	✓	✓	✓	✓ <sup>3</sup>	✓	✓	✓	✓	✓ <sup>4</sup>	
USB	✓	✓	✓	✓	✓ <sup>3</sup>	✓	✓	✓			
ENET	✓	✓ <sup>1</sup>	✓	✓ <sup>1</sup>	✓ <sup>3</sup>	✓	✓	✓ <sup>1</sup>	✓ <sup>1</sup>	✓ <sup>1</sup>	✓ <sup>1</sup>
Express-Card	✓	✓	✓	✓	✓ <sup>3</sup>	✓	✓	✓			
PCMCIA			✓ <sup>2</sup>		✓ <sup>2</sup>	✓ <sup>2</sup>					

<sup>1</sup> NI-VISA support only.  
<sup>2</sup> Supported by NI-Serial versions 3.5.0 and earlier.  
<sup>3</sup> Supported by NI-Serial versions 3.5.1 and earlier.  
<sup>4</sup> With Linux kernel 2.6.30 and later (RS-232 PCI/PXI boards only).

## NI-Serial for Windows and LabVIEW Real-Time Supported Interfaces

**Table 2.** PCI Interfaces

PCI Interfaces	Standard	# Ports	Isolated	Max Baud (kbaud) <sup>3</sup>	Connector Type <sup>2</sup>	FIFO Size (Bytes)
PCI-8430/2	RS-232	2	No	1000.0	DB-9 male	128
PCI-8430/4	RS-232	4	No	1000.0	10P10C	128
PCI-8430/8	RS-232	8	No	1000.0	68-pin SCSI	128
PCI-8430/16	RS-232	16	No	1000.0	68-pin VHDCI	128
PCI-8431/2	RS-485/RS-422	2	No	3000.0 <sup>1</sup>	DB-9 male	128
PCI-8431/4	RS-485/RS-422	4	No	3000.0 <sup>1</sup>	10P10C	128
PCI-8431/8	RS-485/RS-422	8	No	3000.0 <sup>1</sup>	68-pin SCSI	128
PCI-8432/2	RS-232	2	Yes	1000.0	DB-9 male	128
PCI-8432/4	RS-232	4	Yes	1000.0	10P10C	128
PCI-8433/2	RS-485/RS-422	2	Yes	3000.0 <sup>1</sup>	DB-9 male	128

**Table 2.** PCI Interfaces (Continued)

PCI Interfaces	Standard	# Ports	Isolated	Max Baud (kbaud) <sup>3</sup>	Connector Type <sup>2</sup>	FIFO Size (Bytes)
PCI-8433/4	RS-485/RS-422	4	Yes	3000.0 <sup>1</sup>	10P10C	128

<sup>1</sup> The two-wire auto control mode for RS-485 transceiver control has a maximum baud rate of 2000 kbaud.  
<sup>2</sup> Serial connector cables end in DB-9 male serial connectors.  
<sup>3</sup> All NI serial hardware supports standard baud rates. In addition, the PCI/NI PCIe/PXI-843x family of hardware supports any baud rate from 2 baud up to the maximum supported baud rate for that interface. All baud rates are supported because the UART can get within 1.3 percent of all baud rates in that range.

**Table 3.** PCI Express Interfaces

PCI Express Interfaces	Standard	# Ports	Isolated	Max Baud (kbaud) <sup>3</sup>	Connector Type <sup>2</sup>	FIFO Size (Bytes)
NI PCIe-8430/8	RS-232	8	No	1000.0	68-pin VHDCI	128
NI PCIe-8430/16	RS-232	16	No	1000.0	68-pin VHDCI	128
NI PCIe-8431/8	RS-485/RS-422	8	No	3000.0 <sup>1</sup>	68-pin VHDCI	128
NI PCIe-8431/16	RS-485/RS-422	16	No	3000.0 <sup>1</sup>	68-pin VHDCI	128

<sup>1</sup> The two-wire auto control mode for RS-485 transceiver control has a maximum baud rate of 2000 kbaud.  
<sup>2</sup> Serial connector cables end in DB-9 male serial connectors.  
<sup>3</sup> All NI serial hardware supports standard baud rates. In addition, the PCI/NI PCIe/PXI-843x family of hardware supports any baud rate from 2 baud up to the maximum supported baud rate for that interface. All baud rates are supported because the UART can get within 1.3 percent of all baud rates in that range.

**Table 4.** PXI Interfaces

PXI Interfaces	Standard	# Ports	Isolated	Max Baud (kbaud) <sup>3</sup>	Connector Type <sup>2</sup>	FIFO Size (Bytes)
PXI-8430/2	RS-232	2	No	1000.0	DB-9 male	128
PXI-8430/4	RS-232	4	No	1000.0	10P10C	128
PXI-8430/8	RS-232	8	No	1000.0	68-pin SCSI	128
PXI-8430/16	RS-232	16	No	1000.0	68-pin VHDCI	128
PXI-8431/2	RS-485/RS-422	2	No	3000.0 <sup>1</sup>	DB-9 male	128
PXI-8431/4	RS-485/RS-422	4	No	3000.0 <sup>1</sup>	10P10C	128
PXI-8431/8	RS-485/RS-422	8	No	3000.0 <sup>1</sup>	68-pin SCSI	128
PXI-8432/2	RS-232	2	Yes	1000.0	DB-9 male	128
PXI-8432/4	RS-232	4	Yes	1000.0	10P10C	128
PXI-8433/2	RS-485/RS-422	2	Yes	3000.0 <sup>1</sup>	DB-9 male	128

**Table 4. PXI Interfaces (Continued)**

PXI Interfaces	Standard	# Ports	Isolated	Max Baud (kbaud) <sup>3</sup>	Connector Type <sup>2</sup>	FIFO Size (Bytes)
PXI-8433/4	RS-485/RS-422	4	Yes	3000.0 <sup>1</sup>	10P10C	128

<sup>1</sup> The two-wire auto control mode for RS-485 transceiver control has a maximum baud rate of 2000 kbaud.  
<sup>2</sup> Serial connector cables end in DB-9 male serial connectors.  
<sup>3</sup> All NI serial hardware supports standard baud rates. In addition, the PCI/NI PCIe/PXI-843x family of hardware supports any baud rate from 2 baud up to the maximum supported baud rate for that interface. All baud rates are supported because the UART can get within 1.3 percent of all baud rates in that range.

**Table 5. PXI Express Interfaces**

PXI Express Interfaces	Standard	# Ports	Isolated	Max Baud (kbaud) <sup>3</sup>	Connector Type <sup>2</sup>	FIFO Size (Bytes)
NI PXIe-8430/8	RS-232	8	No	1000.0	68-pin VHDCI	128
NI PXIe-8430/16	RS-232	16	No	1000.0	68-pin VHDCI	128
NI PXIe-8431/8	RS-485/RS-422	8	No	3000.0 <sup>1, 4</sup>	68-pin VHDCI	128
NI PXIe-8431/16	RS-485/RS-422	16	No	3000.0 <sup>1, 4</sup>	68-pin VHDCI	128

<sup>1</sup> The two-wire auto control mode for RS-485 transceiver control has a maximum baud rate of 2000 kbaud.  
<sup>2</sup> Serial connector cables end in DB-9 male serial connectors.  
<sup>3</sup> All NI serial hardware supports standard baud rates. In addition, the PXI/NI PXIe-843x family of hardware supports any baud rate from 2 baud up to the maximum supported baud rate for that interface. All baud rates are supported because the UART can get within 1.3 percent of all baud rates in that range.  
<sup>4</sup> For possible use with higher baud rates, refer to [ni.com/kb](http://ni.com/kb) and search for KnowledgeBase 58KEI82F.

**Table 6. USB Interfaces**

USB Interfaces	Standard	# Ports	Isolated	Max Baud (kbaud) <sup>1</sup>	Connector Type	FIFO Size (Bytes)
USB-232	RS-232	1	No	230.4	DB-9 male	128
USB-232/2	RS-232	2	No	230.4	DB-9 male	128
USB-232/4	RS-232	4	No	230.4	DB-9 male	128
USB-485	RS-485/RS-422	1	No	460.8	DB-9 male	128
USB-485/2	RS-485/RS-422	2	No	460.8	DB-9 male	128
USB-485/4	RS-485/RS-422	4	No	460.8	DB-9 male	128

<sup>1</sup> All NI serial hardware supports standard baud rates. In addition, the PCI/NI PCIe/PXI-843x family of hardware supports any baud rate from 2 baud up to the maximum supported baud rate for that interface. All baud rates are supported because the UART can get within 1.3 percent of all baud rates in that range.

**Table 7. ENET Interfaces**

<b>ENET Interfaces</b>	<b>Standard</b>	<b># Ports</b>	<b>Isolated</b>	<b>Max Baud (kbaud)<sup>1</sup></b>	<b>Connector Type</b>	<b>FIFO Size (Bytes)</b>
ENET-232/2	RS-232	2	No	230.4	DB-9 male	128
ENET-232/4	RS-232	4	No	230.4	DB-9 male	128
ENET-485/2	RS-485/RS-422	2	No	460.8	DB-9 male	128
ENET-485/4	RS-485/RS-422	4	No	460.8	DB-9 male	128

<sup>1</sup> All NI serial hardware supports standard baud rates. In addition, the PCI/NI PCIe/PXI-843x family of hardware supports any baud rate from 2 baud up to the maximum supported baud rate for that interface. All baud rates are supported because the UART can get within 1.3 percent of all baud rates in that range.

**Table 8. PCMCIA Interfaces**

<b>PCMCIA Interfaces</b>	<b>Standard</b>	<b>Isolated</b>	<b>Max Baud (kbaud)<sup>1</sup></b>	<b>Connector Type</b>	<b>FIFO Size (Bytes)</b>
PCMCIA-232	RS-232	No	921.6	DB-9 male	16
PCMCIA-232/2	RS-232	No	921.6	DB-9 male	16
PCMCIA-232/4	RS-232	No	115.2	DB-9 male	64
PCMCIA-485	RS-485/RS-422	No	921.6	DB-9 male	16
PCMCIA-485/2	RS-485/RS-422	No	921.6	DB-9 male	16

<sup>1</sup> All NI serial hardware supports standard baud rates. In addition, the PCI/NI PCIe/PXI-843x family of hardware supports any baud rate from 2 baud up to the maximum supported baud rate for that interface. All baud rates are supported because the UART can get within 1.3 percent of all baud rates in that range.

**Table 9. ExpressCard Interfaces**

<b>ExpressCard Interfaces</b>	<b>Standard</b>	<b># Ports</b>	<b>Isolated</b>	<b>Max Baud (kbaud)<sup>1</sup></b>	<b>Connector Type</b>	<b>FIFO Size (Bytes)</b>
NI ExpressCard-8420/2	RS-232	2	No	230.4	DB-9 male	128
NI ExpressCard-8421/2	RS-485/RS-422	2	No	460.8	DB-9 male	128

<sup>1</sup> All NI serial hardware supports standard baud rates. In addition, the PCI/NI PCIe/PXI-843x family of hardware supports any baud rate from 2 baud up to the maximum supported baud rate for that interface. All baud rates are supported because the UART can get within 1.3 percent of all baud rates in that range.

National Instruments considers the following baud rates to be standard. NI serial hardware supports these rates up to the maximum rate specified. Your device may also support additional baud rates not listed below:

300	2400	14400	57600	460800
600	4800	19200	115200	
1200	9600	38400	230400	

To set the baud rate, set the VISA Baud attribute or use the Windows SetCommState function and pass the actual value of the baud rate in the **BaudRate** field of the **DCB** structure.

Refer to [Hardware Specifications](#) for supported baud rates on each board.

## Serial Hardware Features

To determine which features your product supports, refer to the following table.

**Table 10.** Serial Hardware Features

Hardware	Adjustable FIFO Settings	Get Interface Type	RS-485 Transceiver Control	RS-485 Socketed Bias Resistors	RS-485 Programmatically Controlled Bias Resistors	RS-232 Transceiver State	RS-232 DTE/DCE Transceiver Control	Hardware Implemented Flow Control		
								RTS/CTS	DTR/DSR	Xon/Xoff
PCI/NI PCIe/PXI/NI PXIe-8430, PCI/PXI-8432	✓	✓				✓		✓	✓	✓
PCI/NI PCIe/PXI/NI PXIe-8431 eight port and NI PXIe/NI PCIe-8431 16 port	✓	✓	✓					✓		✓
All other PCI/PXI-8431 and PCI/PXI-8433	✓	✓	✓	✓				✓		✓
USB-232 one port		✓				✓		✓	✓	✓
USB-232 two and four port		✓				✓	✓	✓	✓	✓
USB-485 one port		✓	✓		✓			✓		✓
USB-485 two and four port		✓	✓	✓	✓			✓		✓
ENET-232								✓	✓	✓
ENET-485			✓	✓				✓		✓
NI ExpressCard-8420		✓				✓		✓	✓	✓

**Table 10.** Serial Hardware Features (Continued)

Hardware	Adjustable FIFO Settings	Get Interface Type	RS-485 Transceiver Control	RS-485 Socketed Bias Resistors	RS-485 Programmatically Controlled Bias Resistors	RS-232 Transceiver State	RS-232 DTE/DCE Transceiver Control	Hardware Implemented Flow Control		
								RTS/CTS	DTR/DSR	Xon/Xoff
NI ExpressCard-8421		✓	✓		✓			✓		✓
PCMCIA-232	✓	✓								
PCMCIA-485	✓	✓	✓							

## USB LED Descriptions

The USB serial two and four-port hardware uses bicolor LEDs to indicate device and port status. Table 11 describes these LEDs; Figure 1 shows their location.

**Table 11.** USB LEDs

LED	Description
Ready	<p><b>Dim Red</b>—Powered, but not connected to USB (self-powered USB only)</p> <p><b>Red</b>—Powered and connected to USB, but not fully configured</p> <p><b>Yellow</b>—Device is ready (normal operation)</p> <p><b>Blinking Red or Red-Yellow</b>—Device error. Contact NI.</p>
Port <i>x</i>	<p><b>Solid Red</b>—Port is open, but no valid signals detected (USB-232 only)</p> <p><b>Solid Green</b>—Port is open</p> <p><b>Blinking Yellow</b>—Port is transmitting</p> <p><b>Blinking Green</b>—Port is receiving</p> <p><b>Alternated Blinking Green/Yellow</b>—Port is transmitting and receiving</p> <p><b>Blinking Red</b>—Port error (framing error, FIFO overrun, or parity error)</p>



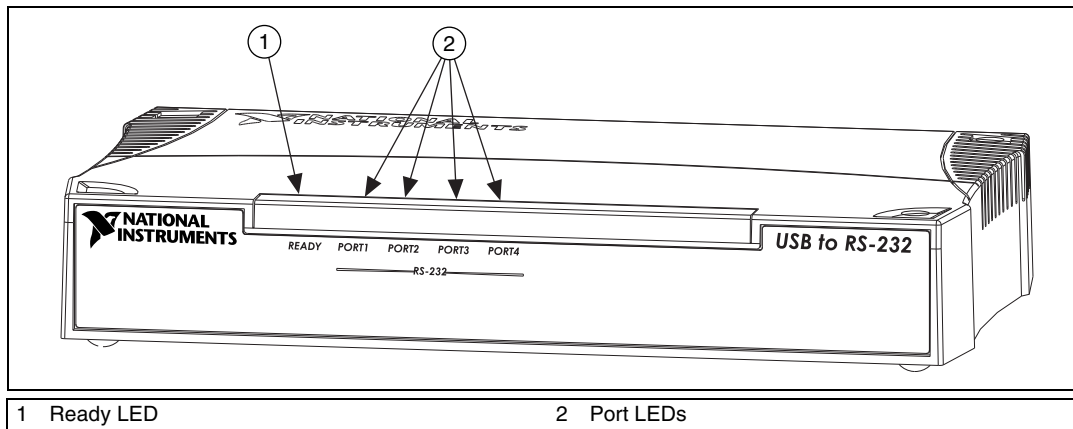


Figure 1. USB-Serial Hardware LEDs

## ENET LED Descriptions

The ENET serial hardware uses bicolor LEDs to indicate device and port status. Table 12 describes these LEDs; Figure 2 shows their location.

Table 12. ENET LEDs

LED	Description
PWR/RDY	Flashes rapidly at start-up while performing self tests and when acquiring network parameters. A steady yellow state indicates the box is ready for operation. A slow flashing pattern indicates an error occurred.
LINK 10/100	Indicates the serial ENET interface detected a twisted pair (10Base-T or 100Base-TX) link. The color indicates the connection speed. If yellow, the speed is 10 Mbits/s. If green, the speed is 100 Mbits/s.
TX	Indicates the serial ENET interface is transmitting to the Ethernet network.
RX	Indicates the serial ENET interface is receiving Ethernet network traffic.
PORT <i>x</i>	Indicates which serial ports are open.

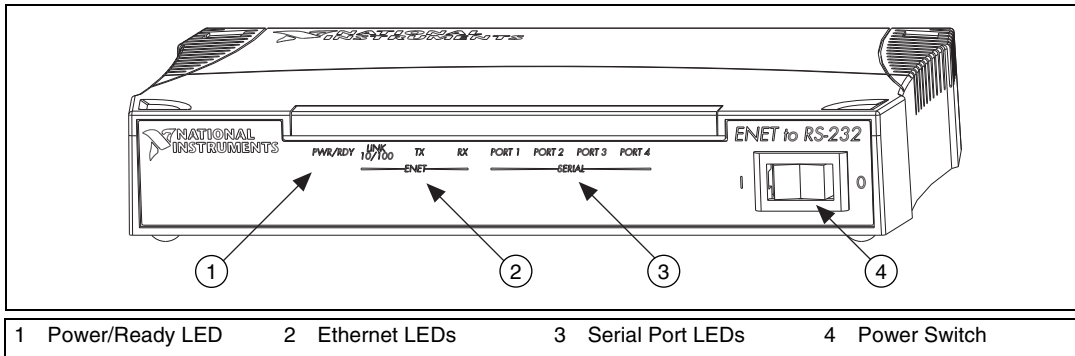


Figure 2. Four-Port Serial ENET Hardware LEDs

## Connectors and Pinouts

### DB-9 Male

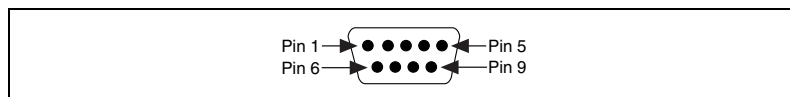


Figure 3. DB-9 Connector Pin Locations

Table 13. DB-9 Male Pin Descriptions

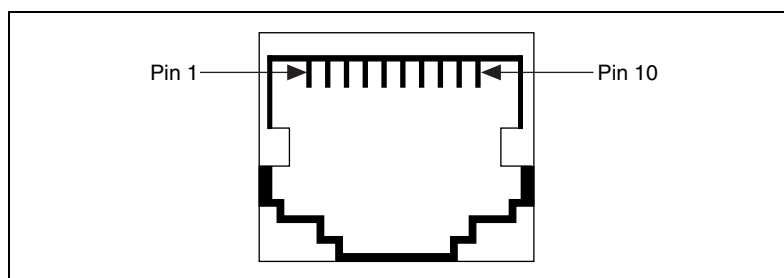
Pin	232 DTE	232 DCE	422/485
1	DCD <sup>1</sup>	DCD	GND
2	RXD	TXD	CTS+ (HSI+)
3	TXD	RXD	RTS+ (HSO+)
4	DTR <sup>1</sup>	DSR	RXD+
5	GND	GND	RXD-
6	DSR <sup>1</sup>	DTR	CTS- (HSI-)
7	RTS	CTS	RTS- (HSO-)
8	CTS	RTS	TXD+
9	RI <sup>1</sup>	RI	TXD-

<sup>1</sup> These signals are “No Connect” on the PCI-232I and PXI-8422 ports and ports 9–16 on legacy 16-port boards.



**Note** DCE mode supported on USB-232/2 and USB-232/4 only.

## 10-Position Modular Jack (10P10C)



**Figure 4.** 10-Position Modular Jack Pin Locations

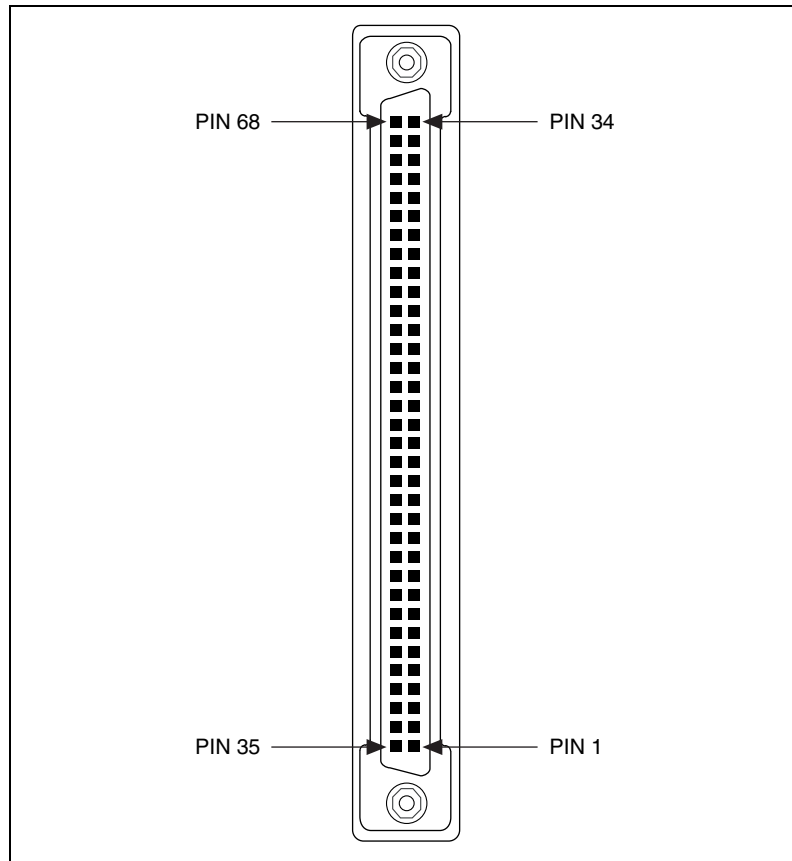
**Table 14.** 10-Position Modular Jack Pin Descriptions

Pin	232	422/485
1	No Connect	No Connect
2	RI <sup>1</sup>	TXD-
3	CTS	TXD+
4	RTS	RTS- (HSO-)
5	DSR <sup>1</sup>	CTS- (HSI-)
6	GND	RXD-
7	DTR <sup>1</sup>	RXD+
8	TXD	RTS+ (HSO+)
9	RXD	CTS+ (HSI+)
10	DCD <sup>1</sup>	GND

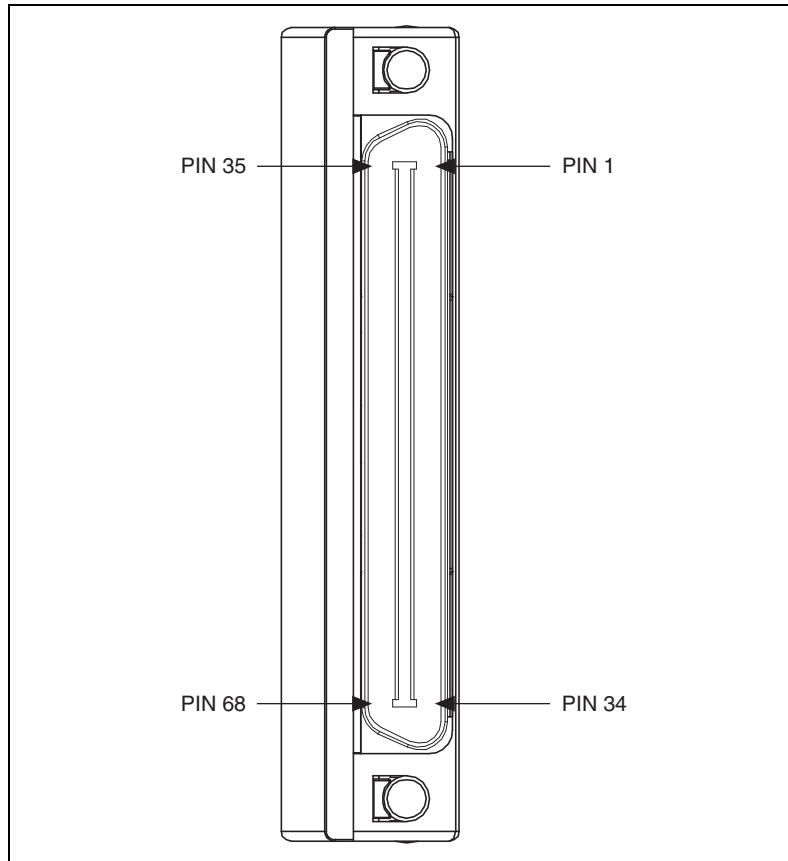
<sup>1</sup> These signals are “No Connect” on the PCI-232I and PXI-8422 ports.

## 68-Pin Connector

The following figures and table give the 68-pin connector pin locations and descriptions. The SCSI 68-pin connector and VHDCI 68-pin connector have the same pinout.



**Figure 5.** 68-Pin SCSI Connector Pin Locations



**Figure 6.** 68-Pin VHDCI Connector Pin Locations

**Table 15.** 68-Pin Connector Pin Descriptions

68-Pin Connector Port								485 Signal	485 D-Sub 9 Connector	232 Signal	232 D-Sub 9 Connector
1	2	3	4	5	6	7	8				
66	57	49	40	32	23	15	6	RXD-	5	DCD	1
68	59	51	42	34	25	17	8	CTS+	2	RXD	2
65	56	48	39	31	22	14	5	RTS+	3	TXD	3
64	55	47	38	30	21	13	4	RXD+	4	DTR	4
60	60	43	43	26	26	9	9	GND	1	GND	5
63	54	46	37	29	20	12	3	CTS-	6	DSR	6
62	53	45	36	28	19	11	2	RTS-	7	RTS	7
61	52	44	35	27	18	10	1	TXD+	8	CTS	8
67	58	50	41	33	24	16	7	TXD-	9	RI	9

# Cables and Accessories

The following serial cables and accessories are available from National Instruments. Refer to [ni.com](http://ni.com) for more information.

**Table 16.** Serial Cables and Accessories

Part Number	Description
<b>Adapter Cables</b> (DB-9 and DB-25 connectors have jacksockets unless otherwise specified.)	
182844-01	DB-9 RS485 terminating pass-through connector 120 $\Omega$
182845-01	Serial cable, 10P10C modular plug to DB-9 male, 1 m
182845-02	Serial cable, 10P10C modular plug to DB-9 male, 2 m
182845-03	Serial cable, 10P10C modular plug to DB-9 male, 3 m
182846-01	Serial cable, 10P10C modular plug to DB-25 male, 1 m
184428-01	Serial cable, 10P10C modular plug to DB-9 male, 1 m, isolated
199022-02	Serial cable, 10P10C to DB-9 male, jackscrews, 2 m
183905-01	Serial cable, PCMCIA-232/485 to DB-9 male, 1 m
183905-0R3	Serial cable, PCMCIA-232/485 to DB-9 male, 0.3 m
197545-01	Serial cable, 68-pin VHDCI to eight DB-9 male, RS-232, 1 m
197546-01	Serial cable, 68-pin VHDCI to eight DB-9 male, RS-485, 1 m
<b>Extension and Null-Modem Cables</b> (All cables have jackscrews.)	
182238-01	Serial cable, RS232 null modem, DB-9 female to DB-9 female, 1 m
182238-02	Serial cable, RS232 null modem, DB-9 female to DB-9 female, 2 m
182238-04	Serial cable, RS232 null modem, DB-9 female to DB-9 female, 4 m
183045-01	Serial cable, RS232 straight through, DB-9 female to DB-9 female, 1 m
183045-02	Serial cable, RS232 straight through, DB-9 female to DB-9 female, 2 m
183045-04	Serial cable, RS232 straight through, DB-9 female to DB-9 female, 4 m
183283-01	Serial cable, RS485/RS422 null modem, DB-9 female to DB-9 female, 1 m
183283-02	Serial cable, RS485/RS422 null modem, DB-9 female to DB-9 female, 2 m
183283-04	Serial cable, RS485/RS422 null modem, DB-9 female to DB-9 female, 4 m

# RS-232, RS-422, and RS-485

## RS-232, RS-422, and RS-485 Features

Table 17. RS-232, RS-422, and RS-485 Features

Feature	RS-232	RS-422	RS-485
Type of transmission lines	Single ended	Differential	Differential
Maximum number of drivers	1	1	32
Maximum number of receivers	1	10	32
Maximum cable length	2.5 nF equivalent	4,000 ft	4,000 ft
Maximum CMV	$\pm 25$ V	$\pm 7$ V	+12 to -7 V
Driver output <sup>1</sup>	5 to 25 V	2 to 6 V	1.5 to 6 V
Driver load	<3 k $\Omega$	100 $\Omega$	60 $\Omega$

<sup>1</sup> Actual driver output varies depending on cable length and load.

### RS-232 Loopback

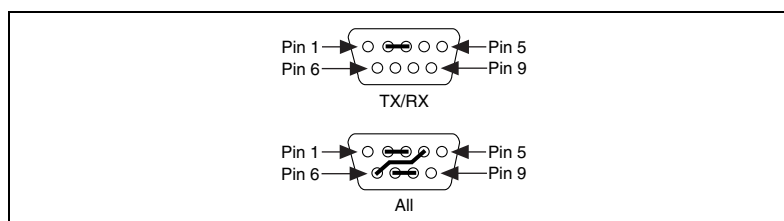


Figure 7. RS-232 Loopback

### RS-232 Signals

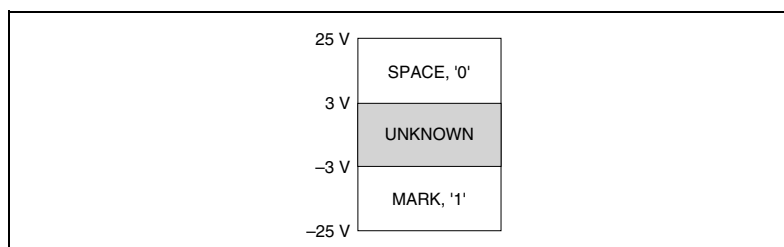


Figure 8. RS-232 Signals

## RS-485/422 Loopback

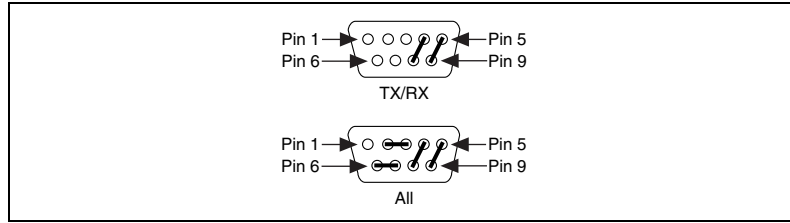


Figure 9. RS-485/422 Loopback

## RS-485/422 Signals

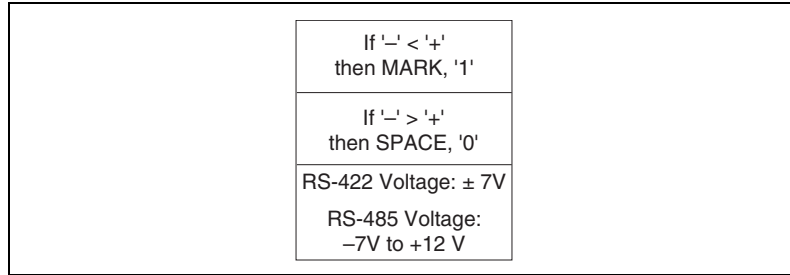


Figure 10. RS-485/422 Signals

## RS-485 Topologies

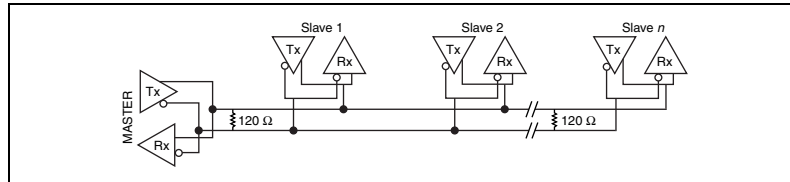


Figure 11. 2-Wire Multidrop Network Using Terminating Resistors

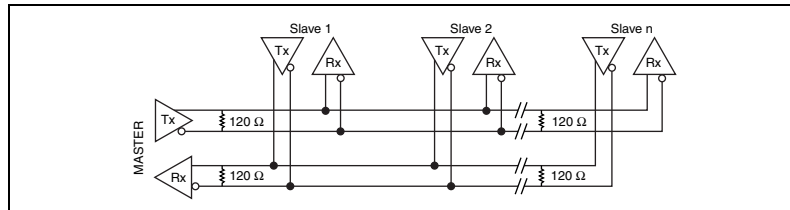


Figure 12. 4-Wire Full-Duplex Multidrop Network Using Terminating Resistors

RS-485 terminators are available at [ni.com/serial](http://ni.com/serial).



## RS-485 Transceiver Control

Enable	4-Wire	2-Wire		
		DTR/Echo	DTR/No Echo	Auto
TX	ON	DTR	DTR	TX
RX	ON	ON	$\overline{\text{DTR}}$	$\overline{\text{TX}}$

Transceiver control is available on all NI Serial RS-485 interface products.

Figure 13. RS-485 Transceiver Control

## UART Data Frame Example

0xD9—8 Data Bits, Odd Parity, 1 Stop Bit

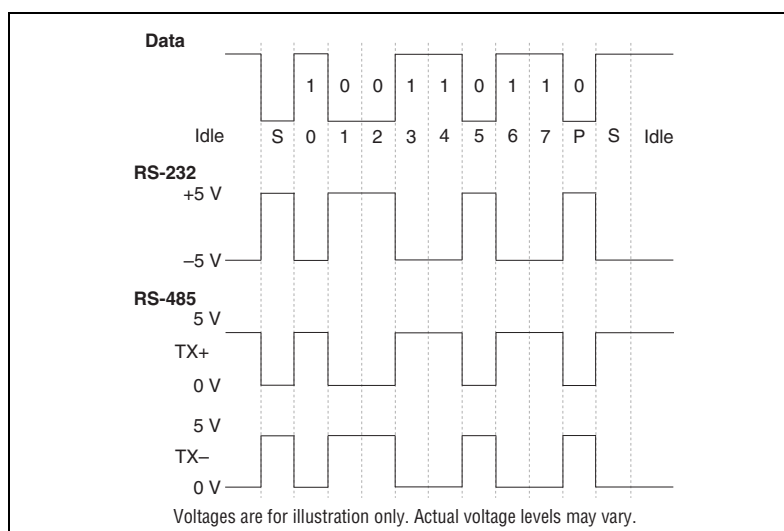


Figure 14. UART Data Frame Example

## Hardware Specifications

### NI 9870 RS-232 C-Series Module

C-Series modules are for use with the NI CompactRIO platform. For complete module and system specifications, refer to the *NI 9870 Operating Instructions and Specifications*.

## Specifications

The following specifications are typical for the range –40 to 70 °C unless otherwise noted.

Maximum baud rate ..... 921.6 kbps

The NI 9870 supports arbitrary baud rates according to the following equation:

$$\text{BaudRate} = 3.6864 \text{ Mbps} / (\text{Prescaler} * \text{Divider})$$

*Prescaler* can be (4..65535).

*Divider* can be 1 or 4.

As long as the actual baud rate is within 2% of the desired baud rate, communication errors should not happen.

Maximum cable length..... 250 pF equivalent



**Note** Cable capacitance greater than 250 pF may adversely affect the maximum baud rate and thermal dissipation.

Maximum RS232 Receive signal  
(RXD, CTS, DSR, DCD, RI)  
Continuous Voltage..... ±8 V



**Note** Continuous RS232 input voltages in excess of ±8 V may cause excessive thermal dissipation.

Data line ESD protection  
(human body model) ..... ±15 kV

MTBF ..... 448,008 hours at 25 °C; Bellcore  
Issue 6, Method 1, Case 3,  
Limited Part Stress Method



**Note** Contact NI for Bellcore MTBF specifications at other temperatures or for MIL-HDBK-217F specifications.

## Power Requirements

Power consumption from chassis

Active mode ..... 0.5 W max  
Sleep mode ..... 50 μW max

Thermal dissipation (at 70 °C)

Active mode.....1.5 W max  
Sleep mode .....0.5 W max

Required external supply

voltage range ( $V_{SUP}$ ).....+8 to +28 VDC

Power supply consumption from external supply  $V_{SUP}$

Typical.....0.5 W  
Maximum .....2 W

## Physical Characteristics

If you need to clean the module, wipe it with a dry towel.

Weight .....Approx. 154 g (5.4 oz)

## Safety

### Maximum Voltage<sup>1</sup>

Connect only voltages that are within these limits.

RS232 Receive Signal-to-COM  
(RXD, CTS, DSR, DCD, RI).....±25 V max,  
Measurement Category I

RS232 Transmit Signal-to-COM  
(TX, RTS, DTR).....±13.2 V max,  
Measurement Category I

$V_{SUP}$ -to-COM .....±28 V max,  
Measurement Category I

Measurement Category I is for measurements performed on circuits not directly connected to the electrical distribution system referred to as *MAINS* voltage. *MAINS* is a hazardous live electrical supply system that powers equipment. This category is for measurements of voltages from specially protected secondary circuits. Such voltage measurements include signal levels, special equipment, limited-energy parts of equipment, circuits powered by regulated low-voltage sources, and electronics.



**Caution** Do *not* connect to signals or use for measurements within Measurement Categories II, III, or IV.

---

<sup>1</sup> The maximum voltage that can be applied or output without creating a safety hazard.

## Isolation Voltages

Port-to-earth ground

Withstand.....	1000 V <sub>rms</sub> , verified by a 5 s dielectric withstand test
Continuous .....	60 VDC, Measurement Category I

## Shock and Vibration

To meet these specifications, you must panel mount the CompactRIO system.

Operating vibration,  
random (IEC 60068-2-64)..... 5 g<sub>rms</sub>, 10 to 500 Hz

Operating shock  
(IEC 60068-2-27)..... 30 g, 11 ms half sine,  
50 g, 3 ms half sine,  
18 shocks at 6 orientations

Operating vibration,  
sinusoidal (IEC 60068-2-6)..... 5 g, 10 to 500 Hz

## Environmental

CompactRIO modules are intended for indoor use only. For outdoor use, mount the CompactRIO system in a suitably rated enclosure. Refer to the installation instructions for the chassis you are using for more information about meeting these specifications.

Operating temperature..... -40 to 70 °C

Storage temperature ..... -40 to 85 °C

Ingress protection ..... IP 40

Operating humidity ..... 10 to 90% RH, noncondensing

Storage humidity ..... 5 to 95% RH, noncondensing

Maximum altitude ..... 2,000 m

Pollution Degree (IEC 60664) ..... 2

## NI 9871 RS-485 C-Series Module

C-Series modules are for use with the NI CompactRIO platform. For complete module and system specifications, refer to the *NI 9871 Operating Instructions and Specifications*.

### Specifications

The following specifications are typical for the range –40 to 70 °C unless otherwise noted.

Maximum baud rate .....3.6864 Mbps

The NI 9871 supports arbitrary baud rates according to the following equation:

$$\text{BaudRate} = 3.6864 \text{ Mbps} / (\text{Prescaler} * \text{Divider})$$

*Prescaler* can be (4..65535).

*Divider* can be 1 or 4.

As long as the actual baud rate is within 2% of the desired baud rate, communication errors should not happen.

Maximum cable length .....1.2 km (4,000 ft.)

Data line ESD protection  
(human body model)..... ±15 kV

MTBF .....514,016 hours at 25 °C; Bellcore  
Issue 6, Method 1, Case 3,  
Limited Part Stress Method



**Note** Contact NI for Bellcore MTBF specifications at other temperatures or for MIL-HDBK-217F specifications.

### Power Requirements

Power consumption from chassis

Active mode.....0.5 W max

Sleep mode .....50 µW max

Thermal dissipation (at 70 °C)

Active mode.....1.5 W max

Sleep mode .....55 mW max

Required external supply

voltage range ( $V_{SUP}$ ).....+8 to +28 VDC

Power supply consumption from external supply  $V_{SUP}$   
 Typical ..... 1 W  
 Maximum..... 3.5 W

## Physical Characteristics

If you need to clean the module, wipe it with a dry towel.

Weight..... Approx. 153 g (5.4 oz)

## Safety

### Maximum Voltage<sup>1</sup>

Connect only voltages that are within these limits.

RS485/RS422 Port-to-COM ..... –8 to +13 VDC max,  
 Measurement Category I

$V_{SUP}$ -to-COM..... ±28 V max,  
 Measurement Category I

Measurement Category I is for measurements performed on circuits not directly connected to the electrical distribution system referred to as *MAINS* voltage. *MAINS* is a hazardous live electrical supply system that powers equipment. This category is for measurements of voltages from specially protected secondary circuits. Such voltage measurements include signal levels, special equipment, limited-energy parts of equipment, circuits powered by regulated low-voltage sources, and electronics.



**Caution** Do *not* connect to signals or use for measurements within Measurement Categories II, III, or IV.

### Isolation Voltages

Port-to-earth ground

Withstand ..... 1000  $V_{rms}$ , verified by a 5 s dielectric withstand test

Continuous ..... 60 VDC,  
 Measurement Category I

---

<sup>1</sup> The maximum voltage that can be applied or output without creating a safety hazard.

## Shock and Vibration

To meet these specifications, you must panel mount the CompactRIO system.

Operating vibration, random (IEC 60068-2-64) .....	5 g <sub>rms</sub> , 10 to 500 Hz
Operating shock (IEC 60068-2-27) .....	30 g, 11 ms half sine, 50 g, 3 ms half sine, 18 shocks at 6 orientations
Operating vibration, sinusoidal (IEC 60068-2-6) .....	5 g, 10 to 500 Hz

## Environmental

CompactRIO modules are intended for indoor use only. For outdoor use, mount the CompactRIO system in a suitably rated enclosure. Refer to the installation instructions for the chassis you are using for more information about meeting these specifications.

Operating temperature .....	-40 to 70 °C
Storage temperature .....	-40 to 85 °C
Ingress protection .....	IP 40
Operating humidity .....	10 to 90% RH, noncondensing
Storage humidity .....	5 to 95% RH, noncondensing
Maximum altitude .....	2,000 m
Pollution Degree (IEC 60664) .....	2

## PCI Serial Hardware

This section describes the characteristics of the PCI serial hardware and the recommended operating conditions.

### PCI-843x Series Hardware

#### PCI-8430/2 (RS-232) and PCI-8431/2 (RS-485/422)

Dimensions .....	10.67 × 14.22 cm (4.2 × 5.6 in.)
I/O connector .....	DB-9 male connector

Power requirement (from PCI channel)

PCI-8430/2	
+5 VDC.....	325 mA typical 500 mA maximum
PCI-8431/2	
+5 VDC.....	500 mA typical 700 mA maximum

Weight

PCI-8430/2.....	88 g
PCI-8431/2.....	92 g

Maximum baud rate

PCI-8430/2.....	1 Mbps
PCI-8431/2.....	3 Mbps

Boards support any baud rate from 2 baud up to the maximum.

**PCI-8430/4 (RS-232) and PCI-8431/4 (RS-485/422)**

Dimensions.....	10.67 × 14.22 cm (4.2 × 5.6 in.)
-----------------	-------------------------------------

I/O connector <sup>1</sup> .....	10-position modular jack (10P10C)
----------------------------------	--------------------------------------

Power requirement (from PCI channel)

PCI-8430/4	
+5 VDC.....	400 mA typical 600 mA maximum
PCI-8431/4	
+5 VDC.....	725 mA typical 1.1 A maximum

Weight

PCI-8430/4.....	99 g
PCI-8431/4.....	102 g

Maximum baud rate

PCI-8430/4.....	1 Mbps
PCI-8431/4.....	3 Mbps

Boards support any baud rate from 2 baud up to the maximum.

---

<sup>1</sup> The four-port PCI serial boards require cables, included in your kit, to convert the 10-position modular jacks (10P10C) to DB-9 male connectors.



## PCI-8430/8 (RS-232) and PCI-8431/8 (RS-485/422)

Dimensions .....	10.67 × 14.48 cm (4.2 × 5.7 in.)
I/O connector <sup>1</sup> .....	68-pin, SCSI type connector
Power requirement (from PCI channel)	
PCI-8430/8	
+5 VDC .....	600 mA typical 900 mA maximum
PCI-8431/8	
+5 VDC .....	1.3 A typical 1.9 A maximum
Weight	
PCI-8430/8 .....	84 g
PCI-8431/8 .....	85 g

### Maximum baud rate

PCI-8430/8 .....	1 Mbps
PCI-8431/8 .....	3 Mbps

Boards support any baud rate from 2 baud up to the maximum.

## PCI-8430/16 (RS-232)

Dimensions .....	10.67 × 17.52 cm (4.2 × 6.9 in.)
I/O connector <sup>2</sup> .....	68-pin, VHDCI × 2
Power requirement (from PCI channel)	
PCI-8430/16	
+5 VDC .....	935 mA typical 1.4 A maximum
Weight .....	99 g
Maximum baud rate .....	1 Mbps

Boards support any baud rate from 2 baud up to the maximum.

---

<sup>1</sup> The eight-port PCI serial boards require a cable, included in your kit, to convert the 68-pin connector to eight DB-9 connectors.

<sup>2</sup> The 16-port PCI serial boards require two cables, included in your kit, to convert the two 68-pin connectors to the 16 (2 × 8) DB-9 male connectors.

## PCI-8432/2 (RS-232) and PCI-8433/2 (RS-485/422)

Dimensions..... 10.67 × 17.52 cm  
(4.2 × 6.9 in.)

I/O connector..... DB-9 male connector

### Operating rated voltage (continuous)

RS-232 ..... -25 V to +25 V

RS-485 ..... -7 V to + 12 V

### Isolation voltages

#### Port-to-port

Continuous..... 60 VDC (CAT I)

Withstand..... 2000 V<sub>rms</sub>, verified by a 5 s dielectric withstand test

#### Port-to-host

Continuous..... 60 VDC (CAT I)

Withstand..... 2000 V<sub>rms</sub>, verified by a 5 s dielectric withstand test

### Power requirement (from PCI channel)

#### PCI-8432/2

+5 VDC..... 380 mA typical  
570 mA maximum

#### PCI-8433/2

+5 VDC..... 380 mA typical  
570 mA maximum

### Weight

PCI-8432/2..... 102 g

PCI-8433/2..... 104 g

### Maximum baud rate

PCI-8432/2..... 1 Mbps

PCI-8433/2..... 3 Mbps

Boards support any baud rate from 2 baud up to the maximum.

## PCI-8432/4 (RS-232) and PCI-8433/4 (RS-485/422)

Dimensions .....	10.67 × 17.44 cm (4.2 × 6.9 in.)
I/O connector <sup>1</sup> .....	10-position modular jack (10P10C)
Operating rated voltage (continuous)	
RS-232 .....	-25 V to +25 V
RS-485 .....	-7 V to +12 V
Isolation voltages	
Port-to-port	
Continuous .....	60 VDC (CAT I)
Withstand .....	2000 V <sub>rms</sub> , verified by a 5 s dielectric withstand test
Port-to-host	
Continuous .....	60 VDC (CAT I)
Withstand .....	2000 V <sub>rms</sub> , verified by a 5 s dielectric withstand test
Power requirement (from PCI channel)	
PCI-8432/4	
+5 VDC .....	550 mA typical 815 mA maximum
PCI-8433/4	
+5 VDC .....	785 mA typical 1.2 A maximum
Weight	
PCI-8432/4 .....	105 g
PCI-8433/4 .....	106 g
Maximum baud rate	
PCI-8432/4 .....	1 Mbps
PCI-8433/4 .....	3 Mbps
Boards support any baud rate from 2 baud up to the maximum.	

---

<sup>1</sup> The four-port PCI serial boards require cables, included in your kit, to convert the 10-position modular (10P10C) jacks to DB-9 male connectors.

## Environmental Characteristics (for All PCI Interfaces)

### Operating Environment

Ambient temperature.....	0 to 55 °C (Tested in accordance with IEC-60068-2-1 and IEC-60068-2-2.)
Relative humidity.....	10 to 90%, noncondensing (Tested in accordance with IEC-60068-2-56.)
Altitude (maximum).....	2,000 m
Pollution Degree .....	2

Indoor use only.

### Storage Environment

Ambient temperature.....	-20 to 70 °C (Tested in accordance with IEC-60068-2-1 and IEC-60068-2-2.)
Relative humidity.....	5 to 95%, noncondensing (Tested in accordance with IEC-60068-2-56.)

### Other Specifications (for All PCI Interfaces)

Maximum cable length	
RS-485 <sup>1</sup> .....	30 m (limited by EMC/surge)
RS-232 .....	2,500 pF equivalent (TIA-EIA-232-F 2.1.4)
Data line ESD protection (human body model)	
RS-485 .....	±15 kV
RS-232 .....	±15 kV



**Note** This equipment is intended for indoor use only.

---

<sup>1</sup> RS-485 is capable of 1.2 km (4,000 ft) without surge limitation.

## Safety

This product meets the requirements of the following standards of safety for electrical equipment for measurement, control, and laboratory use:

- IEC 61010-1, EN 61010-1
- UL 61010-1, CSA 61010-1



**Note** For UL and other safety certifications, refer to the product label or the *Online Product Certification* section.

## Electromagnetic Compatibility

This product meets the requirements of the following EMC standards for electrical equipment for measurement, control, and laboratory use:

- EN 61326 (IEC 61326): Class A emissions; Basic immunity
- EN 55011 (CISPR 11): Group 1, Class A emissions
- AS/NZS CISPR 11: Group 1, Class A emissions
- FCC 47 CFR Part 15B: Class A emissions
- ICES-001: Class A emissions



**Note** For the standards applied to assess the EMC of this product, refer to the *Online Product Certification* section.



**Note** For EMC compliance, operate this device with shielded cabling.

## CE Compliance

This product meets the essential requirements of applicable European Directives as follows:

- 2006/95/EC; Low-Voltage Directive (safety)
- 2004/108/EC; Electromagnetic Compatibility Directive (EMC)

## Online Product Certification

Refer to the product Declaration of Conformity (DoC) for additional regulatory compliance information. To obtain product certifications and the DoC for this product, visit [ni.com/certification](http://ni.com/certification), search by model number or product line, and click the appropriate link in the Certification column.

## Environmental Management

NI is committed to designing and manufacturing products in an environmentally responsible manner. NI recognizes that eliminating certain hazardous substances from our products is beneficial to the environment and to NI customers.

For additional environmental information, refer to the *NI and the Environment* Web page at [ni.com/environment](http://ni.com/environment). This page contains the environmental regulations and directives with which NI complies, as well as other environmental information not included in this document.

### Waste Electrical and Electronic Equipment (WEEE)



**EU Customers** At the end of the product life cycle, all products *must* be sent to a WEEE recycling center. For more information about WEEE recycling centers, National Instruments WEEE initiatives, and compliance with WEEE Directive 2002/96/EC on Waste and Electronic Equipment, visit [ni.com/environment/weee](http://ni.com/environment/weee).

## 电子信息产品污染控制管理办法（中国 RoHS）



**中国客户** National Instruments 符合中国电子信息产品中限制使用某些有害物质指令 (RoHS)。关于 National Instruments 中国 RoHS 合规性信息, 请登录 [ni.com/environment/rohs\\_china](http://ni.com/environment/rohs_china)。(For information about China RoHS compliance, go to [ni.com/environment/rohs\\_china](http://ni.com/environment/rohs_china).)

## PCI Express Serial Hardware

This section describes the characteristics of the PCI Express serial hardware and the recommended operating conditions.

### NI PCIe-843x Series Hardware

#### NI PCIe-8430/8 (RS-232) and NI PCIe-8431/8 (RS-485/422)

Dimensions (without bracket)..... 11.12 × 17.53 cm (4.38 × 6.9 in.)

I/O connectors

NI PCIe-8430/8

RS-232<sup>1</sup>..... 68-pin VHDCI

PCI Express ..... x1

NI PCIe-8431/8

RS-485<sup>1</sup>..... 68-pin VHDCI

PCI Express ..... x1

<sup>1</sup> The 8-port PCI Express serial boards require a cable, included in your kit, to convert the 68-pin connector to eight DB-9 male connectors.

Power requirement (from PCI Express channel)

NI PCIe-8430/8	
+3.3 VDC .....	200 mA typical 750 mA maximum
+12 VDC .....	190 mA typical 220 mA maximum
NI PCIe-8431/8	
+3.3 VDC <sup>1</sup> .....	700 mA typical, 1.5 A maximum
+12 VDC .....	190 mA typical 220 mA maximum

Weight

NI PCIe-8430/8 .....	88 g
NI PCIe-8431/8 .....	90 g

Maximum baud rate

NI PCIe-8430/8 .....	1 Mbps
NI PCIe-8431/8 .....	3 Mbps

Boards support any baud rate from 2 baud up to the maximum.

**NI PCIe-8430/16 (RS-232) and NI PCIe-8431/16 (RS-485/422)**

Dimensions (without bracket) .....11.12 × 17.53 cm (4.38 × 6.9 in.)

I/O connectors

NI PCIe-8430/16	
RS-232 <sup>2</sup> .....	68-pin VHDCI × 2
PCI Express .....	x1
NI PCIe-8431/16	
RS-485 <sup>1</sup> .....	68-pin VHDCI × 2
PCI Express .....	x1

Power requirement (from PCI Express channel)

NI PCIe-8430/16	
+3.3 VDC .....	400 mA typical, 1.5 A maximum
+12 VDC .....	210 mA typical 250 mA maximum

<sup>1</sup> These values are based on the assumption that all 16 ports (for the NI PCIe-8431/16) or 8 ports (for the NI PCIe-8431/8) are using a 620 Ω bias resistor and NI-offered terminators installed on both ends of the cable.

<sup>2</sup> The 16-port PCI Express serial boards require two cables, included in your kit, to convert the two 68-pin connectors to the 16 (2 × 8) DB-9 male connectors.

NI PCIe-8431/16	
+3.3 VDC <sup>1</sup> .....	1.4 A typical, 3 A maximum
+12 VDC.....	210 mA typical 250 mA maximum

Weight

NI PCIe-8430/16.....	99 g
NI PCIe-8431/16.....	101 g

Maximum baud rate

NI PCIe-8430/16.....	1 Mbps
NI PCIe-8431/16.....	3 Mbps

Boards support any baud from 2 baud up to the maximum.

**NI PCIe-8432/2 (RS-232) and NI PCIe-8433/2 (RS-485/422)**

Dimensions (without bracket).....	11.12 × 16.67 cm (4.38 × 6.6 in.)
-----------------------------------	-----------------------------------

I/O connectors

NI PCIe-8432/2.....	DB-9 male connector
NI PCIe-8433/2.....	DB-9 male connector

Operating rated voltage (continuous)

RS-232 .....	-25 V to +25 V
RS-485 .....	-7 V to +12 V

Isolation voltages

Port-to-port

Continuous.....	60 VDC (CAT I)
Withstand.....	2000 V <sub>rms</sub> , verified by a 5 s dielectric withstand test

Port-to-host

Continuous.....	60 VDC (CAT I)
Withstand.....	2000 V <sub>rms</sub> , verified by a 5 s dielectric withstand test

---

<sup>1</sup> These values are based on the assumption that all 16 ports (for the NI PCIe-8431/16) or 8 ports (for the NI PCIe-8431/8) are using a 620 Ω bias resistor and NI-offered terminators installed on both ends of the cable.



Power requirement (from PCI Express channel)

NI PCIe-8432/2	
+12 VDC .....	55 mA typical 160 mA maximum
+3.3 VDC .....	610 mA typical 650 mA maximum
NI PCIe-8433/2	
+12 VDC .....	140 mA typical 240 mA maximum
+3.3 VDC .....	610 mA typical 660 mA maximum

Weight

NI PCIe-8432/2 .....	90.7 g
NI PCIe-8433/2 .....	90.7 g

Maximum serial transfer rate

RS-232 .....	1 Mbps
RS-485 .....	3 Mbps

**Environmental Characteristics  
(for All PCI Express Interfaces)**

**Operating Environment**

Ambient temperature .....	0 to 55 °C (Tested in accordance with IEC-60068-2-1 and IEC-60068-2-2.)
Relative humidity .....	10 to 90%, noncondensing (Tested in accordance with IEC-60068-2-56.)
Altitude (maximum) .....	2,000 m

Indoor use only.

**Storage Environment**

Ambient temperature .....	-20 to 70 °C (Tested in accordance with IEC-60068-2-1 and IEC-60068-2-2.)
---------------------------	--

Relative humidity ..... 5 to 95%, noncondensing  
(Tested in accordance with  
IEC-60068-2-56.)

## Other Specifications (for All PCI Express Interfaces)

### Maximum cable length

RS-485<sup>1</sup> ..... 30 m (limited by EMC/surge)  
RS-232 ..... 2,500 pF equivalent  
(TIA-EIA-232-F 2.1.4)

### Data line ESD protection (human body model)

RS-485 ..... ±15 kV  
RS-232 ..... ±15 kV

### Baud rate accuracy

RS-232 ..... Within 0.015% for standard  
baud rate  
Within 0.5% for nonstandard  
baud rate  
RS-485 ..... Within 0.015% for standard  
baud rate  
Within 0.5% for nonstandard  
baud rate below 1 Mbps  
Within 1.3% for nonstandard  
baud rate between 1 Mbps and  
3 Mbps



**Note** This equipment is intended for indoor use only.

## Safety

This product meets the requirements of the following standards of safety for electrical equipment for measurement, control, and laboratory use:

- IEC 61010-1, EN 61010-1
- UL 61010-1, CSA 61010-1



**Note** For UL and other safety certifications, refer to the product label or the [Online Product Certification](#) section.

---

<sup>1</sup> RS-485 is capable of 1.2 km (4,000 ft) without surge limitation.

## Electromagnetic Compatibility

This product meets the requirements of the following EMC standards for electrical equipment for measurement, control, and laboratory use:

- EN 61326 (IEC 61326): Class A emissions; Basic immunity
- EN 55011 (CISPR 11): Group 1, Class A emissions
- AS/NZS CISPR 11: Group 1, Class A emissions
- FCC 47 CFR Part 15B: Class A emissions
- ICES-001: Class A emissions



**Note** For the standards applied to assess the EMC of this product, refer to the *Online Product Certification* section.



**Note** For EMC compliance, operate this device with shielded cabling.

## CE Compliance

This product meets the essential requirements of applicable European Directives as follows:

- 2006/95/EC; Low-Voltage Directive (safety)
- 2004/108/EC; Electromagnetic Compatibility Directive (EMC)

## Online Product Certification

Refer to the product Declaration of Conformity (DoC) for additional regulatory compliance information. To obtain product certifications and the DoC for this product, visit [ni.com/certification](http://ni.com/certification), search by model number or product line, and click the appropriate link in the Certification column.

## Environmental Management

NI is committed to designing and manufacturing products in an environmentally responsible manner. NI recognizes that eliminating certain hazardous substances from our products is beneficial to the environment and to NI customers.

For additional environmental information, refer to the *NI and the Environment* Web page at [ni.com/environment](http://ni.com/environment). This page contains the environmental regulations and directives with which NI complies, as well as other environmental information not included in this document.



### Waste Electrical and Electronic Equipment (WEEE)

**EU Customers** At the end of the product life cycle, all products *must* be sent to a WEEE recycling center. For more information about WEEE recycling centers, National Instruments WEEE initiatives, and compliance with WEEE Directive 2002/96/EC on Waste and Electronic Equipment, visit [ni.com/environment/weee](http://ni.com/environment/weee).

### 电子信息产品污染控制管理办法（中国 RoHS）



**中国客户** National Instruments 符合中国电子信息产品中限制使用某些有害物质指令 (RoHS)。关于 National Instruments 中国 RoHS 合规性信息，请登录 [ni.com/environment/rohs\\_china](http://ni.com/environment/rohs_china)。(For information about China RoHS compliance, go to [ni.com/environment/rohs\\_china](http://ni.com/environment/rohs_china).)

## PXI Serial Hardware

This section describes the characteristics of the PXI serial hardware and the recommended operating conditions.

### PXI-843x Serial Hardware

#### PXI-8430/2 (RS-232) and PXI-8431/2 (RS-485/422)

Dimensions.....	100 × 160 mm (3.94 × 6.37 in.)
I/O connector.....	DB-9 male connector
Power requirement (from PXI channel)	
PXI-8430/2	
+5 VDC.....	325 mA typical 500 mA maximum
PXI-8431/2	
+5 VDC.....	500 mA typical 750 mA maximum
Weight	
PXI-8430/2.....	134 g
PXI-8431/2.....	134 g
Maximum baud rate	
PXI-8430/2.....	1 Mbps
PXI-8431/2.....	3 Mbps

Boards support any baud rate from 2 baud up to the maximum.

### **PXI-8430/4 (RS-232) and PXI-8431/4 (RS-485/422)**

Dimensions .....	100 × 160 mm (3.94 × 6.37 in.)
I/O connector <sup>1</sup> .....	10-position modular jack (10P10C)

#### Power requirement (from PXI channel)

PXI-8430/4	
+5 VDC .....	400 mA typical 600 mA maximum
PXI-8431/4	
+5 VDC .....	725 mA typical 1.1 A maximum

#### Weight

PXI-8430/4 .....	137 g
PXI-8431/4 .....	140 g

#### Maximum baud rate

PXI-8430/4 .....	1 Mbps
PXI-8431/4 .....	3 Mbps

Boards support any baud rate from 2 baud up to the maximum.

### **PXI-8430/8 (RS-232) and PXI-8431/8 (RS-485/422)**

Dimensions .....	100 × 160 mm (3.94 × 6.37 in.), 3U
I/O connector <sup>2</sup> .....	68-pin SCSI (68-pin SCSI to eight DB-9 male connector adapter cable included)

#### Power requirement (from PXI channel)

PXI-8430/8	
+5 VDC .....	1 A typical 1.5 A maximum
PXI-8431/8	
+5 VDC .....	925 mA typical 1.4 A maximum

<sup>1</sup> The four-port PXI serial boards require cables, included in your kit, to convert the 10-position modular jacks (10P10C) to DB-9 male connectors.

<sup>2</sup> The eight-port PXI serial boards require a cable, included in your kit, to convert the 68-pin connector to eight DB-9 connectors.

Weight

PXI-8430/8.....	135 g
PXI-8431/8.....	137 g

Shock and vibration

Operational shock .....	30 g peak, half-sine, 11 ms pulse (Tested in accordance with IEC-60068-2-27. Test profile developed in accordance with MIL-PRF-28800F.)
-------------------------	---

Maximum baud rate

PXI-8430/8.....	1 Mbps
PXI-8431/8.....	3 Mbps

Boards support any baud rate from 2 baud up to the maximum.

**PXI-8430/16 (RS-232)**

Dimensions.....	100 × 160 mm (3.94 × 6.37 in.), 3U
-----------------	---------------------------------------

I/O connector <sup>1</sup> .....	68-pin VHDCI × 2
----------------------------------	------------------

Power requirement (from PXI channel)

PXI-8430/16	
+5 VDC.....	935 mA typical 1.4 A maximum

Weight.....	157 g
-------------	-------

Maximum baud rate .....	1 Mbps
-------------------------	--------

Boards support any baud rate from 2 baud up to the maximum.

**PXI-8432/2 (RS-232) and PXI-8433/2 (RS-485/422)**

Dimensions.....	100 × 160 mm (3.94 × 6.37 in.), 3U
-----------------	---------------------------------------

I/O connector.....	DB-9 male connector × 2
--------------------	-------------------------

Operating rated voltage (continuous)

RS-232 .....	-25 V to +25 V
RS-485 .....	-7 V to + 12 V

<sup>1</sup> The 16-port PXI serial boards require two cables, included in your kit, to convert the two 68-pin connectors to the 16 (2 × 8) DB-9 male connectors.

### Isolation voltages

#### Port-to-port

Continuous .....	60 VDC (CAT I)
Withstand .....	2000 V <sub>rms</sub> , verified by a 5 s dielectric withstand test

#### Port-to-host

Continuous .....	60 VDC (CAT I)
Withstand .....	2000 V <sub>rms</sub> , verified by a 5 s dielectric withstand test

### Power requirement (from PXI channel)

#### PXI-8432/2

+5 VDC .....	725 mA typical 1 A maximum
--------------	-------------------------------

#### PXI-8433/2

+5 VDC .....	725 mA typical 1 A maximum
--------------	-------------------------------

### Weight

PXI-8432/2 .....125 g

PXI-8433/2 .....125 g

### Shock and vibration

Operational shock.....	30 g peak, half-sine, 11 ms pulse (Tested in accordance with IEC-60068-2-27. Test profile developed in accordance with MIL-PRF-28800F.)
------------------------	--

### Random vibration

Operating .....	5 to 500 Hz, 0.3 g <sub>rms</sub>
Nonoperating .....	5 to 500 Hz, 2.4 g <sub>rms</sub> (Tested in accordance with IEC-60068-2-64. Nonoperating test profile exceeds the requirements of MIL-PRF-28800F, Class 3.)

### Maximum baud rate

PXI-8432/2 .....1 Mbps

PXI-8433/2 .....3 Mbps

Boards support any baud rate from 2 baud up to the maximum.

## PXI-8432/4 (RS-232) and PXI-8433/4 (RS-485/422)

Dimensions.....	100 × 160 mm (3.94 × 6.37 in.), 3U
I/O connector <sup>1</sup> .....	10-position modular jack (10P10C)

### Operating rated voltage (continuous)

RS-232 .....	-25 V to +25 V
RS-485 .....	-7 V to + 12 V

### Isolation voltages

#### Port-to-port

Continuous.....	60 VDC (CAT I)
Withstand.....	2000 V <sub>rms</sub> , verified by a 5 s dielectric withstand test

#### Port-to-host

Continuous.....	60 VDC (CAT I)
Withstand.....	2000 V <sub>rms</sub> , verified by a 5 s dielectric withstand test

### Power requirement (from PXI channel)

#### PXI-8432/4

+5 VDC.....	925 mA typical 2 A maximum
-------------	-------------------------------

#### PXI-8433/4

+5 VDC.....	950 mA typical 2 A maximum
-------------	-------------------------------

### Weight

PXI-8432/4.....	147 g
PXI-8433/4.....	147 g

### Maximum baud rate

PXI-8432/4.....	1 Mbps
PXI-8433/4.....	3 Mbps

Boards support any baud rate from 2 baud up to the maximum.

---

<sup>1</sup> The four-port PXI serial boards require cables, included in your kit, to convert the 10-position modular jacks (10P10C) to DB-9 male connectors.



## Environmental Characteristics (for All PXI Interfaces)

### Operating Environment

Ambient temperature .....	0 to 55 °C (Tested in accordance with IEC-60068-2-1 and IEC-60068-2-2.)
Relative humidity .....	10 to 90%, noncondensing (Tested in accordance with IEC-60068-2-56.)
Altitude (maximum) .....	2,000 m
Pollution Degree .....	2
Indoor use only.	

### Storage Environment

Ambient temperature .....	-20 to 70 °C (Tested in accordance with IEC-60068-2-1 and IEC-60068-2-2.)
Relative humidity .....	5 to 95%, noncondensing (Tested in accordance with IEC-60068-2-56.)

## Other Specifications (for All PXI Interfaces)

Maximum cable length	
RS-485 <sup>1</sup> .....	30 m (limited by EMC/surge)
RS-232 .....	2,500 pF equivalent (TIA-EIA-232-F 2.1.4)
Data line ESD protection (human body model)	
RS-485 .....	±15 kV
RS-232 .....	±15 kV



**Note** This equipment is intended for indoor use only.

---

<sup>1</sup> RS-485 is capable of 1.2 km (4,000 ft) without surge limitation.

## Safety

This product meets the requirements of the following standards of safety for electrical equipment for measurement, control, and laboratory use:

- IEC 61010-1, EN 61010-1
- UL 61010-1, CSA 61010-1



**Note** For UL and other safety certifications, refer to the product label or the *Online Product Certification* section.

## Electromagnetic Compatibility

This product meets the requirements of the following EMC standards for electrical equipment for measurement, control, and laboratory use:

- EN 61326 (IEC 61326): Class A emissions; Basic immunity
- EN 55011 (CISPR 11): Group 1, Class A emissions
- AS/NZS CISPR 11: Group 1, Class A emissions
- FCC 47 CFR Part 15B: Class A emissions
- ICES-001: Class A emissions



**Note** For the standards applied to assess the EMC of this product, refer to the *Online Product Certification* section.



**Note** For EMC compliance, operate this device with shielded cabling.

## CE Compliance

This product meets the essential requirements of applicable European Directives as follows:

- 2006/95/EC; Low-Voltage Directive (safety)
- 2004/108/EC; Electromagnetic Compatibility Directive (EMC)

## Online Product Certification

Refer to the product Declaration of Conformity (DoC) for additional regulatory compliance information. To obtain product certifications and the DoC for this product, visit [ni.com/certification](http://ni.com/certification), search by model number or product line, and click the appropriate link in the Certification column.

## Environmental Management

NI is committed to designing and manufacturing products in an environmentally responsible manner. NI recognizes that eliminating certain hazardous substances from our products is beneficial to the environment and to NI customers.

For additional environmental information, refer to the *NI and the Environment* Web page at [ni.com/environment](http://ni.com/environment). This page contains the environmental regulations and directives with which NI complies, as well as other environmental information not included in this document.



### Waste Electrical and Electronic Equipment (WEEE)

**EU Customers** At the end of the product life cycle, all products *must* be sent to a WEEE recycling center. For more information about WEEE recycling centers, National Instruments WEEE initiatives, and compliance with WEEE Directive 2002/96/EC on Waste and Electronic Equipment, visit [ni.com/environment/weee](http://ni.com/environment/weee).

## 电子信息产品污染控制管理办法（中国 RoHS）



**中国客户** National Instruments 符合中国电子信息产品中限制使用某些有害物质指令 (RoHS)。关于 National Instruments 中国 RoHS 合规性信息，请登录 [ni.com/environment/rohs\\_china](http://ni.com/environment/rohs_china)。(For information about China RoHS compliance, go to [ni.com/environment/rohs\\_china](http://ni.com/environment/rohs_china).)

## PXI Express Serial Hardware

This section describes the characteristics of the PXI Express serial hardware and the recommended operating conditions.

### NI PXIe-843x Serial Hardware

#### NI PXIe-8430/8 (RS-232) and NI PXIe-8431/8 (RS-485/422)

Dimensions .....100 × 160 mm  
(3.94 × 6.37 in.), 3U

I/O connector<sup>1</sup> .....68-pin VHDCI

Power requirement (from PXI Express channel)

NI PXIe-8430/8

+12 VDC .....220 mA typical  
250 mA maximum

+3.3 VDC .....200 mA typical  
750 mA maximum

<sup>1</sup> The eight-port PXI Express serial boards require a cable, included in your kit, to convert the 68-pin connector to eight DB-9 connectors.

NI PXIe-8431/8

+12 VDC.....	220 mA typical 240 mA maximum
+3.3 VDC <sup>1</sup> .....	0.7 A typical 1.5 A maximum

Weight

NI PXIe-8430/8.....	143 g
NI PXIe-8431/8.....	143 g

Maximum baud rate

NI PXIe-8430/8.....	1 Mbps
NI PXIe-8431/8.....	3 Mbps <sup>2</sup>

Boards support any baud rate from 2 baud up to the maximum.

Baud rate accuracy

NI PXIe-8430/8.....	Within 0.015% for standard baud rate Within 0.5% for nonstandard baud rate
NI PXIe-8431/8.....	Within 0.015% for standard baud rate Within 0.5% for nonstandard baud rate below 1 Mbps Within 1.3% for nonstandard baud rate between 1 Mbps and 3 Mbps

**NI PXIe-8430/16 (RS-232) and NI PXIe-8431/16 (RS-485/422)**

Dimensions.....	100 × 160 mm (3.94 × 6.37 in.), 3U
-----------------	---------------------------------------

I/O connector <sup>3</sup> .....	68-pin VHDCI × 2
----------------------------------	------------------

Power requirement (from PXI Express channel)

NI PXIe-8430/16

+12 VDC.....	250 mA typical 270 mA maximum
+3.3 VDC.....	400 mA typical 1.5 A maximum

<sup>1</sup> These values are based on the assumption that all 16 ports (for the NI PXIe-8431/16) or 8 ports (for the NI PXIe-8431/8) are using a 620 Ω bias resistor and NI-offered terminators installed on both ends of the cable.

<sup>2</sup> For possible use with higher baud rates, refer to [ni.com/kb](http://ni.com/kb) and search for KnowledgeBase's KB58KEI82F.

<sup>3</sup> The 16-port PXI Express serial boards require two cables, included in your kit, to convert the two 68-pin connectors to the 16 (2 × 8) DB-9 male connectors.

NI PXIe-8431/16	
+12 VDC .....	250 mA typical 280 mA maximum
+3.3 VDC <sup>1</sup> .....	1.4 A typical 3 A maximum

**Weight**

NI PXIe-8430/16 .....	152 g
NI PXIe-8431/16 .....	155 g

**Maximum baud rate**

NI PXIe-8430/16 .....	1 Mbps
NI PXIe-8431/16 .....	3 Mbps <sup>2</sup>

Boards support any baud rate from 2 baud up to the maximum.

**Baud rate accuracy**

NI PXIe-8430/16 .....	Within 0.015% for standard baud rate Within 0.5% for nonstandard baud rate
NI PXIe-8431/16 .....	Within 0.015% for standard baud rate Within 0.5% for nonstandard baud rate below 1 M Within 1.3% for nonstandard baud rate between 1 M and 3 M

**Environmental Characteristics  
(for All PXI Express Interfaces)**

**Operating Environment**

Ambient temperature .....	0 to 55 °C (Tested in accordance with IEC-60068-2-1 and IEC-60068-2-2. Meets MIL-PRF-28800F Class 3 low temperature limit and MIL-PRF-28800F Class 2 high temperature limit.)
---------------------------	--

<sup>1</sup> These values are based on the assumption that all 16 ports (for the NI PXIe-8431/16) or 8 ports (for the NI PXIe-8431/8) are using a 620 Ω bias resistor and NI-offered terminators installed on both ends of the cable.

<sup>2</sup> For possible use with higher baud rates, refer to [ni.com/kb](http://ni.com/kb) and search for KnowledgeBase KB58KEI82F.

Relative humidity ..... 10 to 90%, noncondensing  
(Tested in accordance with  
IEC-60068-2-56.)

Altitude (maximum)..... 2,000 m

Polution degree ..... 2

Indoor use only.

### Storage Environment

Ambient temperature..... -40 to 71 °C  
(Tested in accordance with  
IEC-60068-2-1 and  
IEC-60068-2-2. Meets  
MIL-PRF-28800F Class 3 limits.)

Relative humidity ..... 5 to 95%, noncondensing  
(Tested in accordance with  
IEC-60068-2-56.)

### Other Specifications (for All PXI Express Interfaces)

Maximum cable length

RS-485<sup>1</sup> ..... 30 m (limited by EMC/surge)

RS-232 ..... 2,500 pF equivalent  
(TIA-EIA-232-F 2.1.4)

Data line ESD protection (human body model)

RS-485 ..... ±15 kV

RS-232 ..... ±15 kV

Shock and vibration

Operational shock ..... 30 g peak, half-sine, 11 ms pulse  
(Tested in accordance with  
IEC-60068-2-27. Meets  
MIL-PRF-28800F Class 2 limits.)

---

<sup>1</sup> RS-485 is capable of 1.2 km (4,000 ft) without surge limitation.

#### Random vibration

Operating .....5 to 500 Hz, 0.3 g<sub>rms</sub>

Nonoperating .....5 to 500 Hz, 2.4 g<sub>rms</sub>

(Tested in accordance  
with IEC-60068-2-64.

Nonoperating test profile  
exceeds the requirements of  
MIL-PRF-28800F, Class 3.)



**Note** This equipment is intended for indoor use only.

## Safety

This product meets the requirements of the following standards of safety for electrical equipment for measurement, control, and laboratory use:

- IEC 61010-1, EN 61010-1
- UL 61010-1, CSA 61010-1



**Note** For UL and other safety certifications, refer to the product label or the [Online Product Certification](#) section.

## Electromagnetic Compatibility

This product meets the requirements of the following EMC standards for electrical equipment for measurement, control, and laboratory use:

- EN 61326 (IEC 61326): Class A emissions; Basic immunity
- EN 55011 (CISPR 11): Group 1, Class A emissions
- AS/NZS CISPR 11: Group 1, Class A emissions
- FCC 47 CFR Part 15B: Class A emissions
- ICES-001: Class A emissions



**Note** For the standards applied to assess the EMC of this product, refer to the [Online Product Certification](#) section.



**Note** For EMC compliance, operate this device with shielded cabling.

## CE Compliance

This product meets the essential requirements of applicable European Directives as follows:

- 2006/95/EC; Low-Voltage Directive (safety)
- 2004/108/EC; Electromagnetic Compatibility Directive (EMC)

## Online Product Certification

Refer to the product Declaration of Conformity (DoC) for additional regulatory compliance information. To obtain product certifications and the DoC for this product, visit [ni.com/certification](http://ni.com/certification), search by model number or product line, and click the appropriate link in the Certification column.

## Environmental Management

NI is committed to designing and manufacturing products in an environmentally responsible manner. NI recognizes that eliminating certain hazardous substances from our products is beneficial to the environment and to NI customers.

For additional environmental information, refer to the *NI and the Environment* Web page at [ni.com/environment](http://ni.com/environment). This page contains the environmental regulations and directives with which NI complies, as well as other environmental information not included in this document.

## Waste Electrical and Electronic Equipment (WEEE)



**EU Customers** At the end of the product life cycle, all products *must* be sent to a WEEE recycling center. For more information about WEEE recycling centers, National Instruments WEEE initiatives, and compliance with WEEE Directive 2002/96/EC on Waste and Electronic Equipment, visit [ni.com/environment/weee](http://ni.com/environment/weee).

## 电子信息产品污染控制管理办法（中国 RoHS）



**中国客户** National Instruments 符合中国电子信息产品中限制使用某些有害物质指令 (RoHS)。关于 National Instruments 中国 RoHS 合规性信息, 请登录 [ni.com/environment/rohs\\_china](http://ni.com/environment/rohs_china)。(For information about China RoHS compliance, go to [ni.com/environment/rohs\\_china](http://ni.com/environment/rohs_china).)

## USB Serial Hardware

This section describes the characteristics of the USB serial hardware and the recommended operating conditions.

### USB-232 (RS-232) and USB-485 (RS-485/422)

Dimensions..... 3.81 × 3.56 × 1.52 cm  
(1.5 × 1.4 × 0.6 in.)

Case material..... PVC

Weight

USB-232 ..... 121 g (0.27 lb)

USB-485 ..... 118 g (0.26 lb)



I/O connector .....	DB-9 male connector
USB connector.....	Captive cable with USB series A plug
Power requirement (from USB channel)	
USB-485	
+5 VDC .....	175 mA typical 500 mA maximum
USB-232	
+5 VDC .....	80 mA typical 100 mA maximum

Maximum baud rate

USB-232 .....	230.4 kbps
USB-485 .....	460.8 kbps

Boards support standard baud rates below the maximum.

**USB-232/2, USB-232/4 (USB-232), USB-485/2, and USB-485/4 (RS-485/422)**

Dimensions .....	21.08 × 12.45 × 3.56 cm (8.3 × 4.9 × 1.4 in.)
Case material .....	Hard plastic with metal baseplate
Weight .....	375 g (0.83 lb)
I/O connector .....	DB-9 male connector
USB connector.....	USB series B
Power requirement (from USB channel)	
USB-485/2	
+5 VDC .....	300 mA typical 500 mA maximum
USB-232/2	
+5 VDC .....	200 mA typical 500 mA maximum
USB-232/4	
+5 VDC .....	300 mA typical 500 mA maximum

Power requirement (from external supply)  
 USB-485/4 (9 V–30 V)  
 +12 VDC (typical) ..... 225 mA typical  
 500 mA maximum

Maximum baud rate  
 USB-232/2 and USB-232/4 ..... 230.4 kbps  
 USB-485/2 and USB-485/4 ..... 460.8 kbps

Boards support standard baud rates below the maximum.

## Environmental Characteristics (for All USB Interfaces)

### Operating Environment

Ambient temperature ..... 0 to 70 °C  
 (Tested in accordance with  
 IEC-60068-2-1 and  
 IEC-60068-2-2.)

Relative humidity ..... 10 to 90%, noncondensing  
 (Tested in accordance with  
 IEC-60068-2-56.)

Altitude (maximum) ..... 2,000 m

Pollution Degree ..... 2

Indoor use only.

### Storage Environment

Ambient temperature  
 One port ..... –40 to 80 °C  
 (Tested in accordance with  
 IEC-60068-2-1 and  
 IEC-60068-2-2.)

Two and four port ..... –40 to 85 °C  
 (Tested in accordance with  
 IEC-60068-2-1 and  
 IEC-60068-2-2.)

Relative humidity ..... 5 to 95%, noncondensing  
 (Tested in accordance with  
 IEC-60068-2-56.)

## Other Specifications (for All USB Interfaces)

### Maximum cable length

RS-485 <sup>1</sup> .....	30 m (limited by EMC/surge)
RS-232 .....	2,500 pF equivalent (TIA-EIA-232-F 2.1.4)

### Data line ESD protection (human body model)

RS-485 .....	±15 kV
RS-232 .....	±15 kV



**Note** This equipment is intended for indoor use only.

## Safety

This product meets the requirements of the following standards of safety for electrical equipment for measurement, control, and laboratory use:

- IEC 61010-1, EN 61010-1
- UL 61010-1, CSA 61010-1



**Note** For UL and other safety certifications, refer to the product label or the *Online Product Certification* section.

## Electromagnetic Compatibility

This product meets the requirements of the following EMC standards for electrical equipment for measurement, control, and laboratory use:

- EN 61326 (IEC 61326): Class A emissions; Basic immunity
- EN 55011 (CISPR 11): Group 1, Class A emissions
- AS/NZS CISPR 11: Group 1, Class A emissions
- FCC 47 CFR Part 15B: Class A emissions
- ICES-001: Class A emissions



**Note** For the standards applied to assess the EMC of this product, refer to the *Online Product Certification* section.



**Note** For EMC compliance, operate this device with shielded cabling.

---

<sup>1</sup> RS-485 is capable of 1.2 km (4,000 ft) without surge limitation.

## CE Compliance

This product meets the essential requirements of applicable European Directives as follows:

- 2006/95/EC; Low-Voltage Directive (safety)
- 2004/108/EC; Electromagnetic Compatibility Directive (EMC)

## Online Product Certification

Refer to the product Declaration of Conformity (DoC) for additional regulatory compliance information. To obtain product certifications and the DoC for this product, visit [ni.com/certification](http://ni.com/certification), search by model number or product line, and click the appropriate link in the Certification column.

## Environmental Management

NI is committed to designing and manufacturing products in an environmentally responsible manner. NI recognizes that eliminating certain hazardous substances from our products is beneficial to the environment and to NI customers.

For additional environmental information, refer to the *NI and the Environment* Web page at [ni.com/environment](http://ni.com/environment). This page contains the environmental regulations and directives with which NI complies, as well as other environmental information not included in this document.



## Waste Electrical and Electronic Equipment (WEEE)

**EU Customers** At the end of the product life cycle, all products *must* be sent to a WEEE recycling center. For more information about WEEE recycling centers, National Instruments WEEE initiatives, and compliance with WEEE Directive 2002/96/EC on Waste and Electronic Equipment, visit [ni.com/environment/weee](http://ni.com/environment/weee).



## 电子信息产品污染控制管理办法（中国 RoHS）

**中国客户** National Instruments 符合中国电子信息产品中限制使用某些有害物质指令 (RoHS)。关于 National Instruments 中国 RoHS 合规性信息, 请登录 [ni.com/environment/rohs\\_china](http://ni.com/environment/rohs_china)。(For information about China RoHS compliance, go to [ni.com/environment/rohs\\_china](http://ni.com/environment/rohs_china).)

## ENET Serial Hardware

This section describes the characteristics of the ENET serial hardware, along with the recommended operating conditions.

### Electrical Characteristics

Power requirement (from external supply)

External supply (9 V–30 V)

+12 VDC (typical).....500 mA typical  
750 mA maximum

### Environmental Characteristics

#### Operating Environment

Ambient temperature .....0 to 70 °C  
(Tested in accordance with  
IEC-60068-2-1 and  
IEC-60068-2-2.)

Relative humidity .....10 to 90%, noncondensing  
(Tested in accordance with  
IEC-60068-2-56.)

Altitude (maximum) .....2,000 m

#### Storage Environment

Ambient temperature .....–40 to 85 °C  
(Tested in accordance with  
IEC-60068-2-1 and  
IEC-60068-2-2.)

Relative humidity .....5 to 95%, noncondensing  
(Tested in accordance with  
IEC-60068-2-56.)

### Physical Characteristics

Overall case size (dimensions) .....21.0 × 12.4 × 3.7 cm  
(8.25 × 4.89 × 1.44 in.)

Case material .....Hard plastic with metal baseplate

Weight .....394 g (0.87 lb)

Serial connectors.....DB-9 male connector

## Network Specifications

Ethernet connector .....	RJ-45
Connection type .....	IEEE 802.3 compliant 100Base-TX (100 Mbits/s) 10Base-T (10 Mbits/s)
Duplex mode .....	Half duplex

## Other Specifications (ENET-232/2, ENET-232/4 (RS-232), ENET-485/2, and ENET-485/4 (RS-485/422))

Maximum cable length	
RS-485 <sup>1</sup> .....	30 m (limited by EMC/surge)
RS-232 .....	2,500 pF equivalent (TIA-EIA-232-F 2.1.4)
Data line ESD protection (human body model)	
RS-485 .....	±15 kV
RS-232 .....	±15 kV
Maximum baud rate	
ENET-232/2 and ENET-232/4 .....	230.4 kbps
ENET-485/2 and ENET-485/4 .....	460.8 kbps
Boards support standard baud rates below the maximum.	



**Note** This equipment is intended for indoor use only.

## Safety

This product meets the requirements of the following standards of safety for electrical equipment for measurement, control, and laboratory use:

- IEC 60950-1, EN 60950-1
- UL 60950-1, CSA 60950-1



**Note** For UL and other safety certifications, refer to the product label or the [Online Product Certification](#) section.

---

<sup>1</sup> RS-485 is capable of 1.2 km (4,000 ft) without surge limitation.

## Electromagnetic Compatibility

This product meets the requirements of the following EMC standards for electrical equipment for measurement, control, and laboratory use:

- EN 61326 (IEC 61326): Class A emissions; Basic immunity
- EN 55011 (CISPR 11): Group 1, Class A emissions
- AS/NZS CISPR 11: Group 1, Class A emissions
- FCC 47 CFR Part 15B: Class A emissions
- ICES-001: Class A emissions



**Note** For the standards applied to assess the EMC of this product, refer to the *Online Product Certification* section.



**Note** For EMC compliance, operate this device with shielded cabling.

## CE Compliance

This product meets the essential requirements of applicable European Directives as follows:

- 2006/95/EC; Low-Voltage Directive (safety)
- 2004/108/EC; Electromagnetic Compatibility Directive (EMC)

## Online Product Certification

Refer to the product Declaration of Conformity (DoC) for additional regulatory compliance information. To obtain product certifications and the DoC for this product, visit [ni.com/certification](http://ni.com/certification), search by model number or product line, and click the appropriate link in the Certification column.

## Environmental Management

NI is committed to designing and manufacturing products in an environmentally responsible manner. NI recognizes that eliminating certain hazardous substances from our products is beneficial to the environment and to NI customers.

For additional environmental information, refer to the *NI and the Environment* Web page at [ni.com/environment](http://ni.com/environment). This page contains the environmental regulations and directives with which NI complies, as well as other environmental information not included in this document.



### Waste Electrical and Electronic Equipment (WEEE)

**EU Customers** At the end of the product life cycle, all products *must* be sent to a WEEE recycling center. For more information about WEEE recycling centers, National Instruments WEEE initiatives, and compliance with WEEE Directive 2002/96/EC on Waste and Electronic Equipment, visit [ni.com/environment/weee](http://ni.com/environment/weee).



### 电子信息产品污染控制管理办法（中国 RoHS）

**中国客户** National Instruments 符合中国电子信息产品中限制使用某些有害物质指令 (RoHS)。关于 National Instruments 中国 RoHS 合规性信息, 请登录 [ni.com/environment/rohs\\_china](http://ni.com/environment/rohs_china)。(For information about China RoHS compliance, go to [ni.com/environment/rohs\\_china](http://ni.com/environment/rohs_china).)

## ExpressCard Serial Hardware

This section describes the characteristics of the ExpressCard serial hardware, along with the recommended operating conditions.

### Hardware Specifications (NI ExpressCard-8420/2 (RS-232) and NI ExpressCard-8421/2 (RS-485/422))

Dimensions.....	34 × 75 × 5 mm (1.34 × 2.95 × 0.2 in.)
Weight	
NI ExpressCard-8420/2 .....	16 g (0.5 oz)
NI ExpressCard-8421/2 .....	17 g (0.6 oz)
Connectors	
I/O connector .....	26-position latching connector with 20 cm breakout cable to two DB-9 male connectors
ExpressCard .....	ExpressCard/34 standard connector interface
Power requirements (from ExpressCard USB interface)	
Voltage.....	+3.3 VDC ± 10%
NI ExpressCard-8420/2	
+3.3 VDC.....	100 mA typical 250 mA maximum
NI ExpressCard-8421/2	
+3.3 VDC.....	160 mA typical 260 mA maximum



### Shock and Vibration

Nonoperating shock.....	50 g, 11 ms (Tested in accordance with IEC-60068-2-27.)
Nonoperating vibration, sinusoidal .....	15 g, 100 to 2000 Hz (Tested in accordance with IEC-60068-2-6.)
Nonoperating drop test .....	2 drops in 3 mutually exclusive axes from 75 cm onto no-cushioning vinyl tile surface

### Environmental Characteristics

Altitude (maximum) .....	2,000 m (at 25 °C ambient temperature)
Pollution Degree .....	2
Pollution Degree .....	2
Indoor use only.	

### Operating Environment

Ambient temperature .....	0 to 65 °C (Tested in accordance with IEC-60068-2-1 and IEC-60068-2-2.)
Relative humidity .....	5 to 95%, noncondensing (Tested in accordance with IEC-60068-2-56.)



**Hot Surface** Be careful when removing ExpressCards. Recently used ExpressCards may exceed safe handling temperatures.

### Storage Environment

Ambient temperature .....	-20 to 65 °C (Tested in accordance with IEC-60068-2-1 and IEC-60068-2-2.)
Nonoperating thermal shock.....	-20 to 65 °C, 5 shocks

## Other Specifications

### Maximum cable length

RS-485 <sup>1</sup> .....	30 m (limited by EMC/surge)
RS-232 .....	2,500 pF equivalent (TIA-EIA-232-F 2.1.4)

### Data line ESD protection (human body model)

RS-485 .....	±15 kV
RS-232 .....	±15 kV

### Maximum baud rate

NI ExpressCard-8420/2 .....	230.4 kbps
NI ExpressCard-8421/2 .....	460.8 kbps

Boards support standard baud rates below the maximum.



**Note** This equipment is intended for indoor use only.

## Safety

This product meets the requirements of the following standards of safety for electrical equipment for measurement, control, and laboratory use:

- IEC 61010-1, EN 61010-1
- UL 61010-1, CSA 61010-1



**Note** For UL and other safety certifications, refer to the product label or the [Online Product Certification](#) section.

## Electromagnetic Compatibility

This product meets the requirements of the following EMC standards for electrical equipment for measurement, control, and laboratory use:

- EN 61326 (IEC 61326): Class A emissions; Basic immunity
- EN 55011 (CISPR 11): Group 1, Class A emissions
- AS/NZS CISPR 11: Group 1, Class A emissions
- FCC 47 CFR Part 15B: Class A emissions
- ICES-001: Class A emissions



**Note** For the standards applied to assess the EMC of this product, refer to the [Online Product Certification](#) section.



**Note** For EMC compliance, operate this device with shielded cabling.

---

<sup>1</sup> RS-485 is capable of 1.2 km (4,000 ft) without surge limitation.

## CE Compliance

This product meets the essential requirements of applicable European Directives as follows:

- 2006/95/EC; Low-Voltage Directive (safety)
- 2004/108/EC; Electromagnetic Compatibility Directive (EMC)

## Online Product Certification

Refer to the product Declaration of Conformity (DoC) for additional regulatory compliance information. To obtain product certifications and the DoC for this product, visit [ni.com/certification](http://ni.com/certification), search by model number or product line, and click the appropriate link in the Certification column.

## Environmental Management

NI is committed to designing and manufacturing products in an environmentally responsible manner. NI recognizes that eliminating certain hazardous substances from our products is beneficial to the environment and to NI customers.

For additional environmental information, refer to the *NI and the Environment* Web page at [ni.com/environment](http://ni.com/environment). This page contains the environmental regulations and directives with which NI complies, as well as other environmental information not included in this document.



## Waste Electrical and Electronic Equipment (WEEE)

**EU Customers** At the end of the product life cycle, all products *must* be sent to a WEEE recycling center. For more information about WEEE recycling centers, National Instruments WEEE initiatives, and compliance with WEEE Directive 2002/96/EC on Waste and Electronic Equipment, visit [ni.com/environment/weee](http://ni.com/environment/weee).



## 电子信息产品污染控制管理办法（中国 RoHS）

**中国客户** National Instruments 符合中国电子信息产品中限制使用某些有害物质指令 (RoHS)。关于 National Instruments 中国 RoHS 合规性信息，请登录 [ni.com/environment/rohs\\_china](http://ni.com/environment/rohs_china)。(For information about China RoHS compliance, go to [ni.com/environment/rohs\\_china](http://ni.com/environment/rohs_china).)

## PCMCIA Serial Hardware

This section describes the characteristics of the PCMCIA serial hardware, along with the recommended operating conditions.

### Hardware Specifications (PCMCIA-232, PCMCIA-232/2, PCMCIA-232/4 (RS-232), PCMCIA-485, and PCMCIA-485/2 (RS-485/422))

Dimensions..... Type II PC card  
I/O connector..... Adapter cable with DB-9 male Dsub connector and converter for PC card

Power requirement  
(from PCMCIA expansion slot)

PCMCIA-232

+5 VDC..... 40 mA typical  
150 mA maximum

PCMCIA-485

+5 VDC..... 110 mA typical  
225 mA maximum

PCMCIA-232/2

+5 VDC..... 60 mA typical  
250 mA maximum

PCMCIA-485/2

+5 VDC..... 150 mA typical  
400 mA maximum

PCMCIA-232/4

+5 VDC..... 60 mA typical  
200 mA maximum

## Environmental Characteristics

### Operating Environment

Ambient temperature..... 0 to 55 °C  
(Tested in accordance with IEC-60068-2-1 and IEC-60068-2-2.)

Relative humidity ..... 10 to 90%, noncondensing  
(Tested in accordance with IEC-60068-2-56.)

Altitude (maximum)..... 2,000 m

## Storage Environment

Ambient temperature .....-40 to 120 °C  
(Tested in accordance with  
IEC-60068-2-1 and  
IEC-60068-2-2.)

Relative humidity .....5 to 95%, noncondensing  
(Tested in accordance with  
IEC-60068-2-56.)

## Other Specifications

### Maximum cable length

RS-485<sup>1</sup> .....30 m (limited by EMC/surge)

RS-232 .....2,500 pF equivalent  
(TIA-EIA-232-F 2.1.4)

### Data line ESD protection (human body model)

RS-485 .....±15 kV

RS-232 .....±15 kV

### Maximum baud rate

PCMCIA-232 and  
PCMCIA-232/2 .....230.4 kbps

PCMCIA-232/4 .....115.2 kbps

PCMCIA-485 and  
PCMCIA-485/2 .....921.6 kbps

Boards support standard baud rates below the maximum.



**Note** This equipment is intended for indoor use only.

## Safety

This product meets the requirements of the following standards of safety for electrical equipment for measurement, control, and laboratory use:

- IEC 60950-1, EN 60950-1
- UL 60950-1, CSA 60950-1



**Note** For UL and other safety certifications, refer to the product label or the [Online Product Certification](#) section.

---

<sup>1</sup> RS-485 is capable of 1.2 km (4,000 ft) without surge limitation.

## Electromagnetic Compatibility

This product meets the requirements of the following EMC standards for electrical equipment for measurement, control, and laboratory use:

- EN 61326 (IEC 61326): Class A emissions; Basic immunity
- EN 55011 (CISPR 11): Group 1, Class A emissions
- AS/NZS CISPR 11: Group 1, Class A emissions
- FCC 47 CFR Part 15B: Class A emissions
- ICES-001: Class A emissions



**Note** For the standards applied to assess the EMC of this product, refer to the *Online Product Certification* section.



**Note** For EMC compliance, operate this device with shielded cabling.

## CE Compliance

This product meets the essential requirements of applicable European Directives as follows:

- 2006/95/EC; Low-Voltage Directive (safety)
- 2004/108/EC; Electromagnetic Compatibility Directive (EMC)

## Online Product Certification

Refer to the product Declaration of Conformity (DoC) for additional regulatory compliance information. To obtain product certifications and the DoC for this product, visit [ni.com/certification](http://ni.com/certification), search by model number or product line, and click the appropriate link in the Certification column.

## Environmental Management

NI is committed to designing and manufacturing products in an environmentally responsible manner. NI recognizes that eliminating certain hazardous substances from our products is beneficial to the environment and to NI customers.

For additional environmental information, refer to the *NI and the Environment* Web page at [ni.com/environment](http://ni.com/environment). This page contains the environmental regulations and directives with which NI complies, as well as other environmental information not included in this document.



## Waste Electrical and Electronic Equipment (WEEE)

**EU Customers** At the end of the product life cycle, all products *must* be sent to a WEEE recycling center. For more information about WEEE recycling centers, National Instruments WEEE initiatives, and compliance with WEEE Directive 2002/96/EC on Waste and Electronic Equipment, visit [ni.com/environment/weee](http://ni.com/environment/weee).

## 电子信息产品污染控制管理办法（中国 RoHS）



**中国客户** National Instruments 符合中国电子信息产品中限制使用某些有害物质指令 (RoHS)。关于 National Instruments 中国 RoHS 合规性信息，请登录 [ni.com/environment/rohs\\_china](http://ni.com/environment/rohs_china)。(For information about China RoHS compliance, go to [ni.com/environment/rohs\\_china](http://ni.com/environment/rohs_china).)

## Where to Go for Support

The National Instruments Web site is your complete resource for technical support. At [ni.com/support](http://ni.com/support) you have access to everything from troubleshooting and application development self-help resources to email and phone assistance from NI Application Engineers.

A Declaration of Conformity (DoC) is our claim of compliance with the Council of the European Communities using the manufacturer's declaration of conformity. This system affords the user protection for electromagnetic compatibility (EMC) and product safety. You can obtain the DoC for your product by visiting [ni.com/certification](http://ni.com/certification). If your product supports calibration, you can obtain the calibration certificate for your product at [ni.com/calibration](http://ni.com/calibration).

National Instruments corporate headquarters is located at 11500 North Mopac Expressway, Austin, Texas, 78759-3504. National Instruments also has offices located around the world to help address your support needs. For telephone support in the United States, create your service request at [ni.com/support](http://ni.com/support) and follow the calling instructions or dial 512 795 8248. For telephone support outside the United States, visit the Worldwide Offices section of [ni.com/niglobal](http://ni.com/niglobal) to access the branch office Web sites, which provide up-to-date contact information, support phone numbers, email addresses, and current events.

LabVIEW, National Instruments, NI, [ni.com](http://ni.com), the National Instruments corporate logo, and the Eagle logo are trademarks of National Instruments Corporation. Refer to the *Trademark Information* at [ni.com/trademarks](http://ni.com/trademarks) for other National Instruments trademarks. Other product and company names mentioned herein are trademarks or trade names of their respective companies. For patents covering National Instruments products/technology, refer to the appropriate location: **Help»Patents** in your software, the `patents.txt` file on your media, or the *National Instruments Patent Notice* at [ni.com/patents](http://ni.com/patents). Refer to the *Export Compliance Information* at [ni.com/legal/export-compliance](http://ni.com/legal/export-compliance) for the National Instruments global trade compliance policy and how to obtain relevant HTS codes, ECCNs, and other import/export data.

© 2010–2011 National Instruments Corporation. All rights reserved.

373170B-01

Oct11



## Artisan Technology Group is your source for quality new and certified-used/pre-owned equipment

- FAST SHIPPING AND DELIVERY
- TENS OF THOUSANDS OF IN-STOCK ITEMS
- EQUIPMENT DEMOS
- HUNDREDS OF MANUFACTURERS SUPPORTED
- LEASING/MONTHLY RENTALS
- ITAR CERTIFIED SECURE ASSET SOLUTIONS

### SERVICE CENTER REPAIRS

Experienced engineers and technicians on staff at our full-service, in-house repair center

### *InstraView*<sup>SM</sup> REMOTE INSPECTION

Remotely inspect equipment before purchasing with our interactive website at [www.instraview.com](http://www.instraview.com) ↗

### WE BUY USED EQUIPMENT

Sell your excess, underutilized, and idle used equipment. We also offer credit for buy-backs and trade-ins. [www.artisanng.com/WeBuyEquipment](http://www.artisanng.com/WeBuyEquipment) ↗

### LOOKING FOR MORE INFORMATION?

Visit us on the web at [www.artisanng.com](http://www.artisanng.com) ↗ for more information on price quotations, drivers, technical specifications, manuals, and documentation

**Contact us:** (888) 88-SOURCE | [sales@artisanng.com](mailto:sales@artisanng.com) | [www.artisanng.com](http://www.artisanng.com)