



Artisan Scientific

QUALITY INSTRUMENTATION ... GUARANTEED

Looking for more information?

Visit us on the web at <http://www.artisan-scientific.com> for more information:

- Price Quotations
- Drivers
- Technical Specifications, Manuals and Documentation

Artisan Scientific is Your Source for Quality New and Certified-Used/Pre-owned Equipment

- Tens of Thousands of In-Stock Items
- Hundreds of Manufacturers Supported
- Fast Shipping and Delivery
- Leasing / Monthly Rentals
- Equipment Demos
- Consignment

Service Center Repairs

Experienced Engineers and Technicians on staff in our State-of-the-art Full-Service In-House Service Center Facility

InstraView™ Remote Inspection

Remotely inspect equipment before purchasing with our Innovative InstraView™ website at <http://www.instraview.com>

We buy used equipment! We also offer credit for Buy-Backs and Trade-Ins

Sell your excess, underutilized, and idle used equipment. Contact one of our Customer Service Representatives today!

Talk to a live person: 888-88-SOURCE (888-887-6872) | Contact us by email: sales@artisan-scientific.com | Visit our website: <http://www.artisan-scientific.com>

SCXI 8-Channel LVDT Input Module

SCXI 8-Channel LVDT Input

NI SCXI-1540

- 8 channels
- Programmable input range per channel (0.05 to 6 V_{rms})
- Programmable 1 or 3 V_{rms} excitation per channel at 2.5, 3.3, 5, or 10 kHz
- Multichannel synchronization
- 333 kS/s maximum sampling rate (250 Hz output bandwidth)
- Autocalibration in case excitation required differs from level and frequency SCXI-1540 provides
- 4 or 5-wire connections
- Synchronization to external excitation frequency available
- Random scanning
- Lowpass filter (250 Hz)
- NI-DAQ driver software simplifies configuration, measurement, and scaling

Operating Systems

- Windows 2000/NT/XP

Recommended Software

- LabVIEW
- LabWindows/CVI
- Measurement Studio
- VI Logger

Driver Software

- NI-DAQ 7

Calibration Certificate Included

See page 21



Overview

The National Instruments SCXI-1540 8-channel linear variable differential transformers (LVDT) module provides the necessary conditioning to measure signals from transformer-based ratiometric position sensors, including LVDTs, rotary variable differential transformers (RVDTs), and resolvers. The NI SCXI-1540 offers both 4 and 5-wire connections for LVDTs and RVDTs. In addition, this module offers autocalibration without external hardware using NI-DAQ. As part of an SCXI system, you can scan the analog input channels of the SCXI-1540 along with other modules at rates up to 333 kS/s (3 μs per channel). Each of these modules can multiplex its signals into a single channel of the data acquisition (DAQ) device, and you can add modules to increase channel count. With random scanning capabilities, you select only the channels from which you want to acquire data.

Analog Input

Each of the eight analog inputs consists of an instrumentation amplifier, a variable gain stage, a demodulation circuit, and a lowpass filter. You can program each channel individually for a full-scale input within the range 0.05 to 6.0 V_{rms}. With 31 gain settings, you can obtain the full resolution of your DAQ device for any input range. The demodulation signal originates from the local oscillator for the 4-wire mode and originates from the input signal for the 5-wire mode. Each input is protected to ±30 V. The lowpass filter bandwidth on the output is set at 250 Hz.

Excitation

Each channel of the SCXI-1540 includes an AC voltage source for exciting LVDTs, RVDTs, and resolvers. You can set the excitation at 1 or 3 V_{rms} and at a frequency of 2.5, 3.3, 5, or 10 kHz. Each excitation output is protected with surge arrestors to prevent damage from accidental external voltages. Each channel also includes a provision for synchronizing its output to the excitation of another channel. Synchronization prevents the occurrence of beat signals between channels where cable crosstalk is a problem.

Calibration

You can autocalibrate the SCXI-1540 at anytime using a standard NI-DAQ function or LabVIEW VI. You need not disconnect sensor wiring to perform an autocalibration. The output is internally wrapped back to the input so that you can account for errors in both excitation and input circuitry. Correction constants from the autocalibration are stored in the EEPROMs located on each module. NI-DAQ driver software transparently uses these constants to correct for the gain and offset error of each channel.

Module	LVDTs	RVDTs	Resolvers
SCXI-1540	✓	✓	✓

Table 1. Signal Compatibility

Data Acquisition and Signal Conditioning

SCXI 8-Channel LVDT Input Module

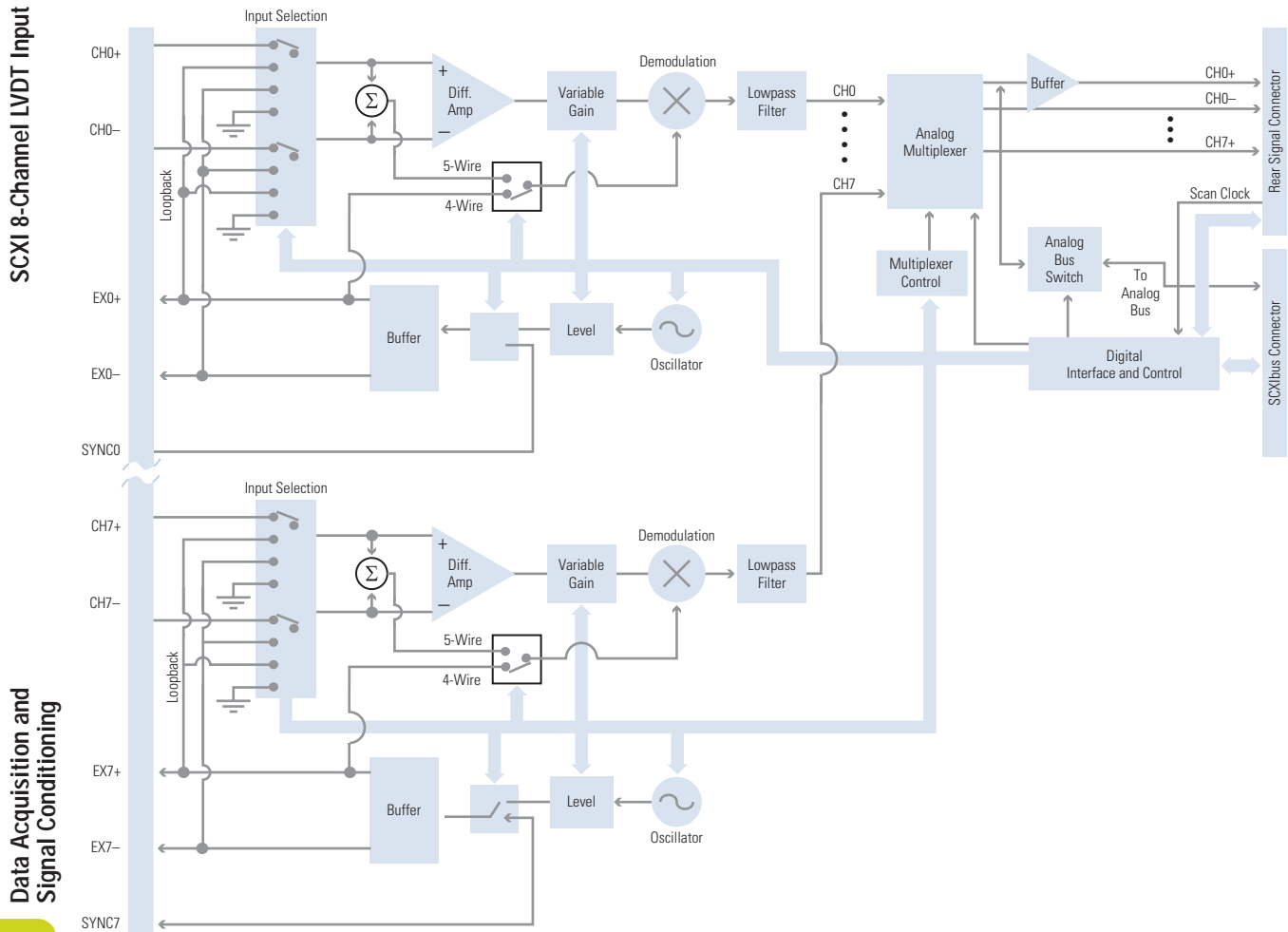


Figure 1. SCXI-1540 Block Diagram

Terminal Block	Part Number	Type	Compatible Modules	Page
SCXI-1315	777687-15	Screw terminals	SCXI-1540 front-mounting	329

Table 1. Terminal Block Options for the SCXI-1540

Ordering Information
 NI SCXI-1540777966-40

For information on extended warranty and value-added services, see page 20.

BUY ONLINE!
 Visit ni.com/info and enter *scxi1540*.

See page 276 to configure your complete SCXI system.

SCXI 8-Channel LVDT Input Module

Specifications

These specifications are typical at 25 °C unless otherwise noted.

Absolute Accuracy

Input Range	Excitation Frequency (kHz)	Percent of Reading		Maximum Offset Percent Full Scale	System Noise (Peak, % of Full Scale)		Temperature Drift (%FSR/°C)	
		Typical	Maximum		Single Pt.	100 Pt. Avg.	Gain Drift	Offset Drift
All input ranges	2.5	±0.2%	±0.5%	±0.05%	±0.03%	±0.01%	±0.03	±0.003
	3.3	±0.2%	±0.5%	±0.05%	±0.03%	±0.01%	±0.03	±0.003
	5	±0.2%	±0.5%	±0.05%	±0.03%	±0.01%	±0.03	±0.003
	10	±0.2%	±1.0%	±0.05%	±0.03%	±0.01%	±0.03	±0.003

One year specifications. Includes error added by 16-bit E Series MIO immediately after an E Series internal calibration. Absolute accuracy is (reading) x (% of reading) + FSR x (offset + system noise). If module temperature is beyond the range 15 to 35 °C, include the added term FSR x [(gain drift) x (reading) + offset] x $\frac{T}{T_0}$, where T is the absolute temperature difference between the module and 15 or 35 °C, whichever is smaller.

To calculate the absolute accuracy for the SCXI-1540, refer to page 194 or visit ni.com/accuracy

Input Range

Input range, gain, and required DAQ device limits

Input Range (V _{rms})	Gain Setting (VDC Out/V _{rms} In)	DAQ Device Input Limits (V)
6.00	0.80	±5.0
5.50	0.90	±5.0
5.00	1.00	±5.0
4.50	1.10	±5.0
4.00	1.25	±5.0
3.50	1.40	±5.0
3.00	1.60	±5.0
2.70	1.80	±5.0
2.50	2.00	±5.0
2.20	2.20	±5.0
2.00	2.50	±5.0
1.70	2.80	±5.0
1.50	3.20	±5.0
1.35	3.60	±5.0
1.25	4.00	±5.0
1.10	4.50	±5.0
1.00	5.00	±5.0
0.85	5.60	±5.0
0.75	6.30	±5.0
0.70	7.00	±5.0
0.62	8.00	±5.0
0.55	9.00	±5.0
0.50	10.00	±5.0
0.45	11.00	±5.0
0.40	12.50	±5.0
0.35	14.00	±5.0
0.31	16.00	±5.0
0.27	18.00	±5.0
0.25	20.00	±5.0
0.22	22.00	±5.0
0.20	25.00	±5.0
0.10	25.00	±2.5
0.05	25.00	±1.0

Input impedance.....	100 k +2%
Frequency response	250 Hz LPF, 4-pole butterworth
Input connections	4 or 5-wire
Synchronization	Internal or external
Residual ripple and noise.....	< 0.1% peak of full scale
Nonlinearity.....	< 0.1% of full scale maximum 0.05% of full scale typical
Output range	±5.0 V
Output offset drift	±70 µV/°C maximum
Input gain	See input range
Input gain accuracy	±2% ¹
Gain drift	±300 ppm/°C maximum
Common-mode rejection ratio	> 60 dB maximum 75 dB typical
Maximum input working voltage.....	6 V _{rms}
Overvoltage protection power on or off	32 V _{rms}

Excitation

Frequency	2.5 kHz ±10%
	3.3 kHz ±10%
	5.0 kHz ±10%
	10.0 kHz ±10%

Level

Low setting	3 V _{rms} ±5% ¹
High setting	1 V _{rms} ±5% ¹
Minimum AC load impedance.....	32 for 1 V _{rms} setting 95 for 3 V _{rms} setting

Control

The gain, excitation frequency, excitation level, connection type, and external synchronization (enable/disable) are set on a per-channel basis through software. There are no jumpers.

Physical

Dimensions.....	3.0 by 17.2 by 20.3 cm (1.2 by 6.9 by 8.0 in.)
Rear connector	50-pin male ribbon cable
Front connector	96-pin male DIN C

Environment

Operating temperature.....	0 to 50 °C
Storage temperature.....	-20 to 70 °C
Relative humidity	10 to 90% noncondensing

Electromagnetic Compatibility

EMC emissions.....	Refer to the document supplied with the chassis for compliance with relevant directives.
EMI	FCC Class A compliant

¹This is the error before correction in software. Input gain error, excitation level error, and output offset error are accounted for in the software correction coefficients stored in the onboard EEPROM. These constants are applied automatically when using LabVIEW or the NI-DAQ function SCXI_Scale. The specifications in the Absolute Accuracy Table indicate overall accuracy of the SCXI-1540, including the application of the software correction coefficients.

For a definition of specific terms, please visit ni.com/glossary.

Multifunction DAQ and SCXI Signal Conditioning Accuracy Specifications Overview

Every Measurement Counts

There is no room for error in your measurements. From sensor to software, your system must deliver accurate results. NI provides detailed specifications for our products so you do not have to guess how they will perform. Along with traditional data acquisition specifications, our E Series multifunction data acquisition (DAQ) devices and SCXI signal conditioning modules include accuracy tables to assist you in selecting the appropriate hardware for your application.

To calculate the accuracy of NI measurement products, visit ni.com/accuracy

Absolute Accuracy

Absolute accuracy is the specification you use to determine the overall maximum tolerance of your measurement. Absolute accuracy specifications apply only to successfully calibrated DAQ devices and SCXI modules. There are four components of an absolute accuracy specification:

- **Percent of Reading** – is a gain uncertainty factor that is multiplied by the actual input voltage for the measurement.
- **Offset** – is a constant value applied to all measurements.
- **System Noise** – is based on random noise and depends on the number of points averaged for each measurement (includes quantization error for DAQ devices).
- **Temperature Drift** – is based on variations in your ambient temperature.
- **Input Voltage** – the absolute magnitude of the voltage input for this calculation. The fullscale voltage is most commonly used.

Based on these components, the formula for calculating absolute accuracy is:

$$\text{Absolute Accuracy} = \pm[(\text{Input Voltage} \times \% \text{ of Reading}) + (\text{Offset} + \text{System Noise} + \text{Temperature Drift})]$$

$$\text{Absolute Accuracy RTI}^1 = (\text{Absolute Accuracy} / \text{Input Voltage})$$

¹RTI = relative to input

Temperature drift is already accounted for unless your ambient temperature is outside 15 to 35 °C. For instance, if your ambient temperature is at 45 °C, you must account for 10 °C of drift. This is calculated by:

$$\text{Temperature Drift} = \text{Temperature Difference} \times \% \text{ Drift per } ^\circ\text{C} \times \text{Input Voltage}$$

Absolute Accuracy for DAQ Devices

Absolute Device Accuracy at Full Scale is a calculation of absolute accuracy for DAQ devices for a specific voltage range using the maximum voltage within that range taken one year after calibration, the Accuracy Drift Reading, and the System Noise averaged value.

Below is the Absolute Accuracy at Full Scale calculation for the NI PCI-6052E DAQ device after one year using the ±10 V input range while averaging 100 samples of a 10 V input signal. In all the Absolute Accuracy at Full Scale calculations, we assume that the ambient temperature is between 15 and 35 °C. Using the Absolute Accuracy table on the next page, we see that the calculation for the ±10 V input range for Absolute Accuracy at Full Scale yields 4.747 mV. This calculation is done using the parameters in the same row for one year Absolute Accuracy Reading, Offset and Noise + Quantization, as well as a value of 10 V for the input voltage value. You can then see that the calculation is as follows:

$$\text{Absolute Accuracy} = \pm[(10 \times 0.00037) + 947.0 \mu\text{V} + 87 \mu\text{V}] = \pm 4.747 \text{ mV}$$

In many cases, it is helpful to calculate this value relative to the input (RTI). Therefore, you do not have to account for different input ranges at different stages of your system.

$$\text{Absolute Accuracy RTI} = (\pm 0.004747/10) = \pm 0.0475\%$$

The following example assumes the same conditions except that the ambient temperature is 40 °C. You can begin with the calculation above and add in the Drift calculation using the % Drift per °C from Table 2 on page 196.

$$\text{Absolute Accuracy} = 4.747 \text{ mV} + ((40 - 35 \text{ } ^\circ\text{C}) \times 0.000006 / ^\circ\text{C} \times 10 \text{ V}) = \pm 5.047 \text{ mV}$$

$$\text{Absolute Accuracy RTI} = (\pm 0.005047/10) = \pm 0.0505\%$$

Absolute Accuracy for SCXI Modules

Below is an example for calculating the absolute accuracy for the NI SCXI-1102 using the ±100 mV input range while averaging 100 samples of a 14 mV input signal. In this calculation, we assume the ambient temperature is between 15 and 35 °C, so Temperature Drift = 0. Using the accuracy table on page 313, you find the following numbers for the calculation:

$$\begin{aligned} \text{Input Voltage} &= 0.014 \\ \% \text{ of Reading Max} &= 0.02\% = 0.0002 \\ \text{Offset} &= 0.000025 \text{ V} \\ \text{System Noise} &= 0.000005 \text{ V} \end{aligned}$$

$$\text{Absolute Accuracy} = \pm[(0.014 \times 0.0002) + 0.000025 + 0.000005] \text{ V} = \pm 32.8 \mu\text{V}$$

$$\text{Absolute Accuracy RTI} = (\pm 0.0000328 / 0.014) = \pm 0.234 \%$$

The following example assumes the same conditions, except the ambient temperature is 40 °C. You can begin with the Absolute Accuracy calculation above and add in the Temperature Drift.

$$\text{Absolute Accuracy} = 32.8 \mu\text{V} + (0.014 \times 0.000005 + 0.000001) \times 5 = \pm 38.15 \mu\text{V}$$

$$\text{Absolute Accuracy RTI} = (\pm 0.00003815 / 0.014) = \pm 0.273 \%$$

Multifunction DAQ and SCXI Signal Conditioning Accuracy Specifications Overview

For both DAQ devices and SCXI modules, you should use the Single-Point System Noise specification from the accuracy tables when you are making single-point measurements. If you are averaging multiple points for each measurement, the value for System Noise changes. The Averaged System Noise in the accuracy tables assumes that you average 100 points per measurement. If you are averaging a different number of points, use the following equation to determine your Noise + Quantization:

$$\text{System Noise} = \text{Average System Noise from table} \times \sqrt{(100/\text{number of points})}$$

For example, if you are averaging 1,000 points per measurement with the PCI-6052E in the ± 10 V (± 100 mV for the SCXI-1102) input range, System Noise is determined by:

$$\begin{aligned} \text{NI PCI-6052E**} \\ \text{System Noise} &= 87.0 \text{ } \mu\text{V} \times \sqrt{(100/1000)} = 27.5 \text{ } \mu\text{V} \end{aligned}$$

$$\begin{aligned} \text{NI SCXI-1102} \\ \text{System Noise} &= 5 \text{ } \mu\text{V} \times \text{SQRT} \sqrt{(100/1000)} = 1.58 \text{ } \mu\text{V} \end{aligned}$$

**The System Noise specifications assume that dithering is disabled for single-point measurements and enabled for averaged measurements.

See page 21 or visit ni.com/calibration for more information on the importance of calibration on DAQ device accuracy.

Absolute System Accuracy

Absolute System Accuracy represents the end-to-end accuracy including the signal conditioning and DAQ device. Because absolute system accuracy includes components set for different input ranges, it is important to use Absolute Accuracy RTI numbers for each component.

$$\begin{aligned} \text{Total System Accuracy RTI} &= \pm \text{SQRT} [(\text{Module Absolute Accuracy RTI})^2 \\ &+ (\text{DAQ Device Absolute Accuracy RTI})^2] \end{aligned}$$

The following example calculates the Absolute System Accuracy for the SCXI-1102 module and PCI-6052E DAQ board described in the first examples:

$$\text{Total System Accuracy RTI} = \pm \sqrt{[(0.00273)^2 + (0.000505)^2]} = \pm 0.278\%$$

Units of Measure

In many applications, you are measuring some physical phenomenon, such as temperature. To determine the absolute accuracy in terms of your unit of measure, you must perform three steps:

1. Convert a typical expected value from the unit of measure to voltage
2. Calculate absolute accuracy for that voltage
3. Convert absolute accuracy from voltage to the unit of measure

Note: it is important to use a typical measurement value in this process, because many conversion algorithms are not linearized. You may want to perform conversions for several different values in your probable range of inputs, rather than just the maximum and minimum values.

For an example calculation, we want to determine the absolute system accuracy of an NI SCXI-1102 system with a NI PCI-6052E, measuring a J-type thermocouple at 100 °C.

1. A J-type thermocouple at 100 °C generates 5.268 mV (from a standard conversion table or formula)
2. The absolute accuracy for the system at 5.268 mV is $\pm 0.82\%$. This means the possible voltage reading is anywhere from 5.225 to 5.311 mV.
3. Using the same thermocouple conversion table, these values represent a temperature spread of 99.3 to 100.7 °C.

Therefore, the absolute system accuracy is ± 0.7 °C at 100 °C.

Benchmarks

The calculations described above represent the maximum error you should receive from any given component in your system, and a method for determining the overall system error. However, you typically have much better accuracy values than what you obtain from these tables.

If you need an extremely accurate system, you can perform an end-to-end calibration of your system to reduce all system errors. However, you must calibrate this system with your particular input type over the full range of expected use. Accuracy depends on the quality and precision of your source.

We have performed some end-to-end calibrations for some typical configurations and achieved the results in Table 1:

To maintain your measurement accuracy, you must calibrate your measurement system at set intervals over time.

For a current list of SCXI signal conditioning products with calibration services, please visit ni.com/calibration

Multifunction DAQ and SCXI Signal Conditioning Accuracy Specifications Overview

Module	Empirical Accuracy
SCXI-1102	±0.25 °C at 250 °C ±24 mV at 9.5 V
SCXI-1112	±0.21 °C at 300 °C
SCXI-1125	±2.2 mV at 2 V

Table 1. Possible Empirical Accuracy with System Calibration

Nominal Range (V)		Absolute Accuracy						Relative Accuracy		
Positive FS	Negative FS	% of Reading		Offset (µV)	System Noise (mV)		Temp Drift (%/°C)	Absolute Accuracy at Full Scale (mV)	Resolution (µV)	
		24 Hours	1 Year		Single Point	Averaged			Single Point	Averaged
10.0	-10.0	0.0354	0.0371	947.0	981.0	87.0	0.0006	4.747	1145.0	115.0
5.0	-5.0	0.0054	0.0071	476.0	491.0	43.5	0.0001	0.876	573.0	57.3
2.5	-2.5	0.0354	0.0371	241.0	245.0	21.7	0.0006	1.190	286.0	28.6
1.0	-1.0	0.0354	0.0371	99.2	98.1	8.7	0.0006	0.479	115.0	11.5
0.5	-0.5	0.0354	0.0371	52.1	56.2	5.0	0.0006	0.243	66.3	6.6
0.25	-0.25	0.0404	0.0421	28.6	32.8	3.0	0.0006	0.137	39.2	3.9
0.1	-0.1	0.0454	0.0471	14.4	22.4	2.1	0.0006	0.064	27.7	2.8
0.05	-0.05	0.0454	0.0471	9.7	19.9	1.9	0.0006	0.035	25.3	2.5
10.0	0.0	0.0054	0.0071	476.0	491.0	43.5	0.0001	1.232	573.0	57.3
5.0	0.0	0.0354	0.0371	241.0	245.0	21.7	0.0006	2.119	286.0	28.6
2.0	0.0	0.0354	0.0371	99.2	98.1	8.7	0.0006	0.850	115.0	11.5
1.0	0.0	0.0354	0.0371	52.1	56.2	5.0	0.0006	0.428	66.3	6.6
0.5	0.0	0.0404	0.0421	28.6	39.8	3.0	0.0006	0.242	48.2	3.9
0.2	0.0	0.0454	0.0471	14.4	22.4	2.1	0.0006	0.111	27.7	2.8
0.1	0.0	0.0454	0.0471	9.7	19.9	1.9	0.0006	0.059	25.3	2.5

Table 2. NI PCI-6052E Analog Input Accuracy Specifications

Note: Accuracies are valid for measurements following an internal (self) E Series calibration. Averaged numbers assume averaging of 100 single-channel readings. Measurement accuracies are listed for operational temperatures within ±1 °C of internal calibration temperature and ±10 °C of external or factory-calibration temperature. One-year calibration interval recommended. The absolute accuracy at full scale calculations were performed for a maximum range input voltage (for example, 10 V for the ±10 V range) after one year, assuming 100 point averaging of data.





Artisan Scientific

QUALITY INSTRUMENTATION ... GUARANTEED

Looking for more information?

Visit us on the web at <http://www.artisan-scientific.com> for more information:

- Price Quotations
- Drivers
- Technical Specifications, Manuals and Documentation

Artisan Scientific is Your Source for Quality New and Certified-Used/Pre-owned Equipment

- Tens of Thousands of In-Stock Items
- Hundreds of Manufacturers Supported
- Fast Shipping and Delivery
- Leasing / Monthly Rentals
- Equipment Demos
- Consignment

Service Center Repairs

Experienced Engineers and Technicians on staff in our State-of-the-art Full-Service In-House Service Center Facility

InstraView™ Remote Inspection

Remotely inspect equipment before purchasing with our Innovative InstraView™ website at <http://www.instraview.com>

We buy used equipment! We also offer credit for Buy-Backs and Trade-Ins

Sell your excess, underutilized, and idle used equipment. Contact one of our Customer Service Representatives today!

Talk to a live person: 888-88-SOURCE (888-887-6872) | Contact us by email: sales@artisan-scientific.com | Visit our website: <http://www.artisan-scientific.com>