



Artisan Technology Group is your source for quality new and certified-used/pre-owned equipment

- FAST SHIPPING AND DELIVERY
- TENS OF THOUSANDS OF IN-STOCK ITEMS
- EQUIPMENT DEMOS
- HUNDREDS OF MANUFACTURERS SUPPORTED
- LEASING/MONTHLY RENTALS
- ITAR CERTIFIED SECURE ASSET SOLUTIONS

SERVICE CENTER REPAIRS

Experienced engineers and technicians on staff at our full-service, in-house repair center

*InstraView*SM REMOTE INSPECTION

Remotely inspect equipment before purchasing with our interactive website at www.instraview.com ↗

WE BUY USED EQUIPMENT

Sell your excess, underutilized, and idle used equipment. We also offer credit for buy-backs and trade-ins. www.artisanng.com/WeBuyEquipment ↗

LOOKING FOR MORE INFORMATION?

Visit us on the web at www.artisanng.com ↗ for more information on price quotations, drivers, technical specifications, manuals, and documentation

Contact us: (888) 88-SOURCE | sales@artisanng.com | www.artisanng.com

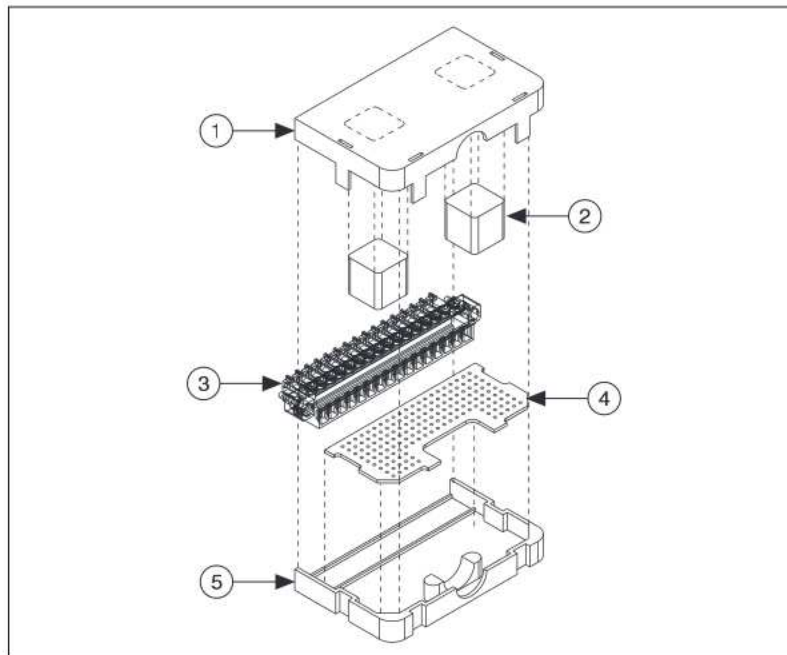
ASSEMBLY INSTRUCTIONS

USB-6000 Series Prototyping Accessory

The USB-6000 Series Prototyping Accessory is a plug that attaches to the 16-position connector of the USB-6008/6009, the USB-6501, as well as any product with a 16-position, 3.81 mm pitch, combicon-style connector. The USB-6000 Series Prototyping Accessory has a small breadboarding area allowing for custom-defined signal conditioning and prototyping within the housing.



Caution Not for use with voltages exceeding 30 Vrms.



- | | |
|--------------------------|-----------------------------|
| 1 Plastic Housing (Top) | 4 Prototyping Circuit Board |
| 2 Adhesive Foam Standoff | 5 Plastic Housing (Bottom) |
| 3 Connector | |



This kit includes the connector, prototyping circuit board, plastic housing top and bottom, and adhesive foam standoffs, as pictured in the previous figure:

Use the following steps for assembly:

1. Peel off adhesive lining from the foam standoffs and apply them to the inside of the housing top in the location shown.
2. Drop the connector and printed circuit board into the housing bottom.
3. Snap the top and bottom together.



Note A strain relief bar and product labeling windows are included with the prototyping accessory for your convenience.

Specification

Overall Dimensions2.50 in. × 1.81 in. × 0.58 in.

National Instruments, NI, ni.com, and LabVIEW are trademarks of National Instruments Corporation. Refer to the *Terms of Use* section on ni.com/legal for more information about National Instruments trademarks. Other product and company names mentioned herein are trademarks or trade names of their respective companies. For patents covering National Instruments products, refer to the appropriate location: **Help»Patents** in your software, the `patents.txt` file on your CD, or ni.com/patents.

© 2005 National Instruments Corporation. All rights reserved.

371706A-01

Sep05



Artisan Technology Group is your source for quality new and certified-used/pre-owned equipment

- FAST SHIPPING AND DELIVERY
- TENS OF THOUSANDS OF IN-STOCK ITEMS
- EQUIPMENT DEMOS
- HUNDREDS OF MANUFACTURERS SUPPORTED
- LEASING/MONTHLY RENTALS
- ITAR CERTIFIED SECURE ASSET SOLUTIONS

SERVICE CENTER REPAIRS

Experienced engineers and technicians on staff at our full-service, in-house repair center

*InstraView*SM REMOTE INSPECTION

Remotely inspect equipment before purchasing with our interactive website at www.instraview.com ↗

WE BUY USED EQUIPMENT

Sell your excess, underutilized, and idle used equipment. We also offer credit for buy-backs and trade-ins. www.artisanng.com/WeBuyEquipment ↗

LOOKING FOR MORE INFORMATION?

Visit us on the web at www.artisanng.com ↗ for more information on price quotations, drivers, technical specifications, manuals, and documentation

Contact us: (888) 88-SOURCE | sales@artisanng.com | www.artisanng.com