



Artisan Technology Group is your source for quality new and certified-used/pre-owned equipment

- FAST SHIPPING AND DELIVERY
- TENS OF THOUSANDS OF IN-STOCK ITEMS
- EQUIPMENT DEMOS
- HUNDREDS OF MANUFACTURERS SUPPORTED
- LEASING/MONTHLY RENTALS
- ITAR CERTIFIED SECURE ASSET SOLUTIONS

SERVICE CENTER REPAIRS

Experienced engineers and technicians on staff at our full-service, in-house repair center

*InstraView*SM REMOTE INSPECTION

Remotely inspect equipment before purchasing with our interactive website at www.instraview.com ↗

WE BUY USED EQUIPMENT

Sell your excess, underutilized, and idle used equipment. We also offer credit for buy-backs and trade-ins. www.artisanng.com/WeBuyEquipment ↗

LOOKING FOR MORE INFORMATION?

Visit us on the web at www.artisanng.com ↗ for more information on price quotations, drivers, technical specifications, manuals, and documentation

Contact us: (888) 88-SOURCE | sales@artisanng.com | www.artisanng.com

User's Guide

<http://www.omega.com>
e-mail: info@omega.com

CIO-DAS1601/12
CIO-DAS1602/12
CIO-DAS1602/16

CHAPTER 1: QUICK START	1
1.1 INSTALL THE INSTACAL SOFTWARE	1
1.2 RUN INSTACAL	1
CHAPTER 2: INSTALLATION & CONFIGURATION	3
2.1 BASE ADDRESS	3
2.2 DMA LEVEL SELECT	3
2.3 1/10 MHz XTAL JUMPER	3
2.4 8/16 CHANNEL SELECT	4
2.5 D/A CONVERTER REFERENCE JUMPER BLOCK	4
2.6 BIPOLAR/UNIPOLAR AND GAIN SETTING	4
2.7 CONVERSION START, EDGE SELECT	5
2.8 AUXILIARY TRIGGER	5
2.9 BURST MODE GENERATOR	6
2.10 DT-CONNECT	6
CHAPTER 3: SOFTWARE	7
3.1 CUSTOM SOFTWARE UTILIZING THE UNIVERSAL LIBRARY	7
3.2 FULLY INTEGRATED SOFTWARE PACKAGES (e.g. LABTECH NOTEBOOK)	7
3.3 DIRECT REGISTER LEVEL PROGRAMMING	7
CHAPTER 4: CONNECTOR PINOUTS	8
4.1 MAIN CONNECTOR DIAGRAM	8
4.2 DIGITAL I/O CONNECTOR (NOT APPLICABLE TO -P5 VERSIONS)	9
CHAPTER 5: ANALOG CONNECTIONS	10
5.1 ANALOG INPUTS	10
5.1.1 <i>Single-Ended and Differential Inputs</i>	10
5.2 WIRING CONFIGURATIONS	14
5.2.1 <i>Common Ground /Single-Ended Inputs</i>	15
5.2.2 <i>Common Ground /Differential Inputs</i>	15
5.2.3 <i>Common Mode Voltage < +/-10V /Single-Ended Inputs</i>	15
5.2.4 <i>Common Mode Voltage < +/-10V /Differential Inputs</i>	16
5.2.6 <i>Isolated Grounds /Single-Ended Inputs</i>	17
5.2.7 <i>Isolated Grounds / Differential Inputs</i>	17
5.3 ANALOG OUTPUTS	17
CHAPTER 6: CIO-DAS1600 ARCHITECTURE	19
6.1 CONTROL & DATA REGISTERS	19
6.1.1 A/D DATA & CHANNEL REGISTERS (CIO-DAS1600/12)	20
6.1.2 A/D DATA & CHANNEL REGISTERS (CIO-DAS1602/16)	20
6.1.3 CHANNEL MUX SCAN LIMITS REGISTER	21
6.1.4 FOUR BIT DIGITAL I/O REGISTERS	21
6.1.5 D/A REGISTERS	21
6.1.6 STATUS REGISTER	22
6.1.7 DMA, INTERRUPT & TRIGGER CONTROL	22
6.1.8 PACER CLOCK CONTROL REGISTER	23
6.1.9 PROGRAMMABLE GAIN CONTROL REGISTER / BURST RATE	24
6.1.10 PACER CLOCK DATA & CONTROL REGISTERS	25
6.1.11 24-bit DIGITAL I/O REGISTERS (not applicable on -P5 versions)	25

6.1.12 CONVERT DISABLE REGISTER	27
6.1.13 BURST MODE ENABLE REGISTER	27
6.1.14 DAS1600 MODE ENABLE REGISTER	27
6.1.15 BURST STATUS REGISTER	27
CHAPTER 7: CALIBRATION AND TEST	29
7.1 REQUIRED EQUIPMENT	29
7.2 CALIBRATING THE A/D & D/A CONVERTERS	29
CHAPTER 8: ANALOG ELECTRONICS	30
8.1 VOLTAGE DIVIDERS	30
8.2 LOW PASS FILTERS	31
CHAPTER 9: SPECIFICATIONS	32
9.1 CIO-DAS1602/12	32
9.2 CIO-DAS1602/16	34

The installation and operation of all three of the CIO-DAS1600 series boards is very similar. Throughout this manual we use CIO-DAS1600 as a generic designation for the CIO-DAS1601/12, CIO-DAS1602/12 and CIO-DAS1602/16. When required due to the differences in the boards, the specific board name is used.

Some computers have motherboard obstructions making it impossible to physically install a full-size card in the slot. For these applications we make the -P5 versions of the board. The -P5 suffix added to the end of a CIO-DAS1600 board indicates the board has a modified form factor enabling it to fit into computers with obstructions. In order to reduce the board size, it was necessary to remove the auxiliary 24-bit digital I/O port. If your application requires this capability, you should consider using a CIO-DIO24 board installed in an adjacent slot.

The CIO-DAS1600 is easy to use. This quick start procedure will help you quickly and easily setup, install and test your board. We assume you already know how to open the PC and install expansion boards. If you are unfamiliar or uncomfortable with board installation, please refer to your computer's documentation.

*We recommend you perform the software installation described in sections 1.1 and 1.2 below prior to installing the board in your computer. The **InstaCal™** operations below will show you how to properly set the switches and jumpers on the board prior to physically installing the board in your computer.*

1.1 INSTALL THE INSTACAL SOFTWARE

There are two versions of Instacal. One is a 32-bit Instacal application intended for Windows 95/98/NT, and the other is a 16-bit Instacal intended for DOS and Windows 3.x. The 32-bit version can be installed by running the setup.exe program from Windows 95, 98, or NT. The 16-bit version can be installed for DOS or Windows 3.x by running setup.exe in Windows 3.x. If your machine can only be booted in DOS, then install the 16-bit Instacal by running install.exe.

The installation will create all required files and folders/directories and unpack the various pieces of compressed software. Simply run the install and follow the on-screen instructions. Remember where the installed files are placed, as you will need to access them in the next step. The default location is in a directory/folder named \CB in the root directory of your system hard drive, usually drive "C:".

1.2 RUN INSTACAL

To run the 16-bit Instacal in Windows 3.x, find the file named Instacal.exe (16-bit version) using your file management system and double click your mouse on it. To run the 32-bit Instacal in Windows 95/98/NT, find the file named Inscal32.exe (32-bit version).

Once running, **InstaCal™** provides four sub-menus (plus exit).

1. Select **Install** (either highlight it and hit enter or double click your mouse on it).
2. Select **Board #0** (select another number if Board #0 is already installed)
3. Select **Board Type**
4. Move through the selections and highlight the particular board you are installing (e.g. CIO-DAS1602/16 or CIO-DAS1601/12). Either double click on the board or hit enter.
5. The board's default settings are then displayed. The board's defaults are:

Base Address	300H (768 Decimal).
Interrupt level	5
DMA Channel	1
Clock Speed	1 MHz
# of Channels	8 Channels, Differential.

Wait State	Disabled
A/D Ranges	Bipolar
Trigger Edge	Rising
External Memory Bd	Not Installed
D/A #0 Range	+/- 5V
D/A #1 Range	+/- 5V
Sample & Hold	Disabled (CIO-SSH16 not supported)
Counter #0 Source	External
Expansion Board	Not Installed

- To simplify the test setup's field wiring, we run the test with the board in 16 channel single ended mode. To change to 16 channel mode, use the mouse or arrow keys and highlight **# of Channels**.

Hit enter or your mouse key and you will be able select 16 channel single-ended mode. The program will also show you how to set the onboard switch for 16 channel mode. (CIO-DAS1601 users will also have to switch the board to unipolar mode prior to running the test.)

- You are now ready to install the board in your computer. Open your PC (after turning off the power) and install the board. After the board is installed and the computer is closed up, turn the power back on.

- Run **InstaCal™** again, and at the main menu select **Test**.

- Select the board you just installed
- Select **Input**, and then **CH 0**
- Select **Source**, and then **DAC0**
- Select **Plot**, the required connections to complete the test will then be shown on your computer screen. Either use the jumper wires provided with the board to make the connections directly on the board's I/O connector, or make the connection with a jumper wire on your Screw Terminal Adapter board.

- Once you have connected the D/A output to the A/D input, proceed and plot the waveform. You should observe a sawtooth waveform. If you do, your board is installed and working properly. If not we suggest the following.

- make certain you have connected the correct pins according to the connector diagram.
- go back through the installation procedure and make sure you have installed the board according to the instructions.

If this does not get you to the sawtooth waveform display, please call us for additional assistance.

CHAPTER 2: INSTALLATION & CONFIGURATION

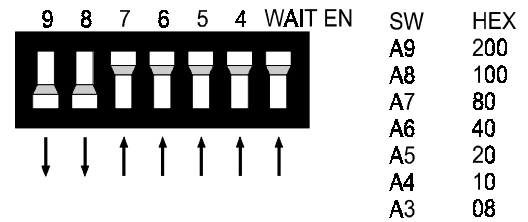
The CIO-DAS1600 has a variety of switches and jumpers to set before installing the board in your computer. By far the simplest way to configure your board is to use the *InstaCal*[™] program provided as part of your CIO-DAS1600 software package. *InstaCal*[™] will show you all available options, how to configure the various switches and jumpers to match your application requirements, and will create a configuration file that your application software (and the Universal Library) will refer to so the software you use will automatically know the exact configuration of the board.

Please refer to Chapter 1 regarding the installation and operation of *InstaCal*[™]. The following hard copy information is provided as a matter of completeness, and will allow you to set the hardware configuration of the CIO-DAS1600 board if you do not have immediate access to *InstaCal*[™] and/or your computer.

2.1 BASE ADDRESS

Unless there is already a board in your system using address 300 HEX (768 Decimal), you can leave the switches as they are set at the factory.

In the example shown above, the CIO-DAS1600 is set at base address 300H. This means the DAS-16 compatible section of the board is at 300H and the DIO-24 compatible section of the board is at 700H.



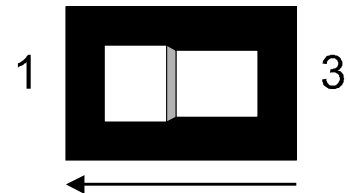
BASE ADDRESS SWITCH - WAIT EN Switch shown NOT enabled.

2.2 DMA LEVEL SELECT

If you are installing the board in an old XT bus computer, DMA level 3 is probably used by the hard disk controller. Set the DMA level switch to the level 1 position.

If you have a 386 or higher computer, the hard disk controller does not use either DMA level 1 or 3 so either level may be selected. The default level is level 1.

There are other boards that use DMA levels. Some network boards do and so do some IEEE-488 interface boards. Do you have other boards in your computer with DMA level switches on them?



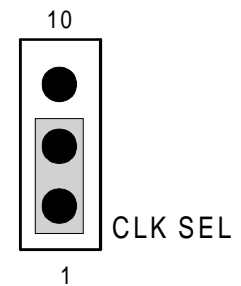
DMA LEVEL SELECT - DMA Level 1 is selected.

2.3 1/10 MHz XTAL JUMPER

The 1/10 MHz XTAL jumper selects the frequency of the square used as a clock by the A/D pacer circuitry. This pacer circuitry controls the sample timing of the A/D. The output driving the A/D converter is also available at the CTR 2 output pin on the main connector.

To maintain full compatibility with the original DAS-16, the CIO-DAS1600 required a 1 MHz crystal oscillator. When MetraByte redesigned the DAS-16 and added the faster 10MHz crystal, a jumper was provided to maintain compatibility with older software. The CIO-DAS1600 has the jumper because the DAS-16 has the jumper and some software expects the jumper to be in the 1 MHz position while some software expects the 10 MHz position.

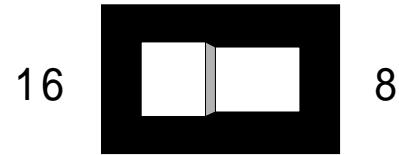
The CIO-DAS1600 is shipped with the jumper in the 1 MHz position.



Default 1MHz Shown

2.4 8/16 CHANNEL SELECT

The analog inputs of the CIO-DAS1600 may be configured as 8 differential or 16 single ended. Use the single ended input mode if you have more than 8 analog inputs to sample. Using the differential input mode allows up to 10 volts of common mode (ground loop) rejection and will provide better noise immunity.



The CIO-DAS1600 comes from the factory configured for 16 single-ended inputs and the 8/16 switch is in the position shown to the right. Set it for the type and number of inputs you desire.

16/8 CHANNEL SELECT SWITCH
8 Channel differential input mode shown

2.5 D/A CONVERTER REFERENCE JUMPER BLOCK

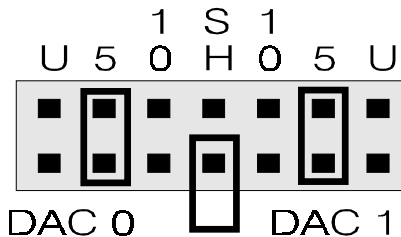
The jumper block located near the center of the CIO-DAS1600 allows you to use the on board precision voltage reference to select the output ranges of the digital to analog converters.

Analog output is provided by two 12-bit multiplying D/A converters. This type of converter accepts a reference voltage and provides an output proportional to that. The proportion is controlled by the D/A output code (0 to 4095). Each bit represents 1/4096 of full scale.

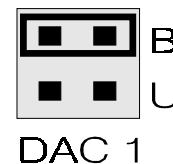
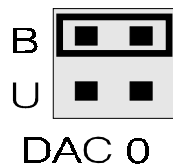
A precision -5V and -10V reference provide onboard D/A ranges of 0-5V, 0-10V, +/-5V, +/-10V. Other ranges between 0V and 10V are available if you provide a precision voltage reference at pin 10 or 26 of the main connector.

When the DAC0 reference is supplied onboard, pin 26 of the 37 pin connector is unused and may be employed as a simultaneous sample & hold trigger for use with the CIO-SSH16. To do so, place the jumper between the two pins 'SH'.

D/A 0 & 1 RANGE JUMPER BLOCK



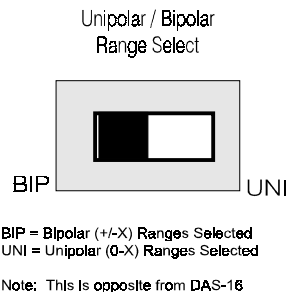
CODE	FUNCTION	Default Jumpers Shown
U	User supplied D/A reference	
5	5 Volt Range	
10	10 Volt Range	
SH	Sample & Hold Trigger	
B	Bipolar Range	
U	Unipolar Range	



2.6 BIPOLAR/UNIPOLAR AND GAIN SETTING

The Bipolar or Unipolar configuration of the A/D converter is set by a switch. This switch is depicted below. The switch controls all A/D channels. Though you cannot run some channels bipolar and some unipolar, you certainly can measure a unipolar input in the bipolar mode. (e.g. you may monitor a 0-5V input with a +/-5 V channel)

The input amplifier gain is controlled by a software programmed register located at BASE + B hex (11 decimal). The codes have different meaning for each board in the CIO-DAS1600 family



BOARD	CODE	BIPOLAR	UNIPOLAR
CIO-DAS1601/12	0	+/-10V	0-10V
	1	+/-1V	0-1V
	2	+/-0.1V	0-0.1V
	3	+/-0.01V	0-0.01V
CIO-DAS1602/12 & CIO-DAS1602/16	0	+/-10V	0-10V
	1	+/-5V	0-5V
	2	+/-2.5V	0-2.5V
	3	+/-1.25V	0-1.25V

2.7 CONVERSION START, EDGE SELECT

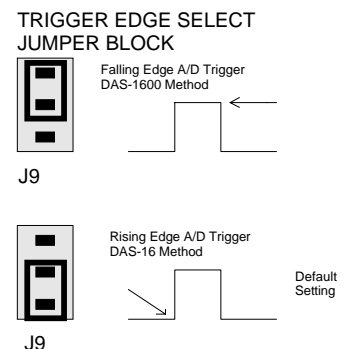
The original DAS-1600 was designed such that A/D conversion was initiated on the falling edge of the convert signal. Neither the original DAS-16, nor any of the other DAS-16 derivative converts on the falling edge. In fact, we are not aware of any A/D board that uses the falling edge to initiate the A/D conversion.

When using the falling edge to start the conversion, the A/D may be falsely triggered by 8254 pacer clock initialization glitching (easy to avoid but a real possibility in the DAS-1600). Converting on the falling edge mode also may lead to timing differences if the CIO-DAS1600 board is being used as a replacement for an older DAS16 series board. Because using the falling edge trigger was a bad idea, we have designed a jumper into the CIO-DAS1600 which allows you choose the edge that starts the A/D conversion. The CIO-DAS1600 is shipped with this jumper in the rising edge position.

The only reason we supply you the option of a falling edge trigger is to provide complete compatibility for those who have developed software for a DAS-1600 using the AS-1600 drivers, AND, when using the CIO-DAS1600 with that software you observe sample timing differences.

The diagram to the right shows the edge selection options.

For compatibility with all third party packages, with all DAS-16 software and with CIO-DAS1600 software, leave this jumper in the rising edge position.



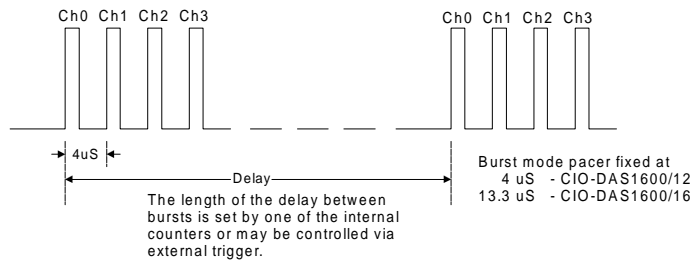
2.8 AUXILIARY TRIGGER

There is a position for a header connector at the rear of the CIO-DAS1600. This connector provides the same function as that found on the DAS-1600.

The A/D trigger signal may come from this connector, if installed. A jumper controls which pin the trigger signal comes in from. We do not install this connector (neither is it installed on the DAS-1600).

2.9 BURST MODE GENERATOR

The burst mode generator is a clock signal that paces the A/D at the maximum multi-channel sample rate, then periodically, performs additional maximum rate scans. In this way the channel to channel skew (time between successive samples in a scan) may be minimized without taking a large number of undesired samples



Burst mode must be enabled by a sequence of instructions to control registers. Those wishing to use burst mode should acquire the UniversalLibrary software.

The CIO-DAS1600 burst mode generator takes advantage of the fast A/D. The burst mode skew is 4uS between channels for the CIO-DAS1600/12. It is 13.3uS for the CIO-DAS1602/16.

2.10 DT-CONNECT

There is no hardware configuration or installation required for DT-Connect. Software enables/disables DT-Connect, and of course, you must have a DT-Connect equipped accessory board before using the DT-Connect.

DT-CONNECT IN MASTER MODE ONLY

The CIO-DAS1600 implements DT-Connect MASTER MODE only. DT-Connect is always enabled and is never busy. The ENABLED and BUSY signal levels are fixed in hardware. Since DT-Connect is always enabled, any A/D conversions are always transferred out the DT-Connect regardless of the bus transfer method specified. The CIO-DAS1600 can only operate in DT-Connect schemes where it is the sole master.

To assure that DT-Connect is properly initialized prior to any A/D transfer, the DT-Connect DT-Request handshake line is reset each time the programmable gain (Base + 11) register is written to. Therefore, it is not possible to use the DT-Connect for A/D sets which involve setting the gain between samples. This is not really a problem because any such scheme would be low speed and therefore store data to disk, obviating the need to use DT-Connect to store data on the MEGA-FIFO.

Please see the data sheet on the MEGA-FIFO, a 128 million sample buffer board as an example of a DT-Connect accessory.

There are three common approaches to software for the CIO-DAS1600. These are: Writing custom software utilizing our Universal Library package, Using a fully integrated software package (e.g. Labtech Notebook), or Direct register level programming.

3.1 CUSTOM SOFTWARE UTILIZING THE UNIVERSAL LIBRARY

Most customers write custom software using ComputerBoards' UniversalLibrary. The Universal Library takes care of all the board I/O commands and lets you concentrate on the application part of the software. For additional information regarding using the Universal Library, please refer to the documentation supplied with the Universal Library

3.2 FULLY INTEGRATED SOFTWARE PACKAGES (e.g. LABTECH NOTEBOOK)

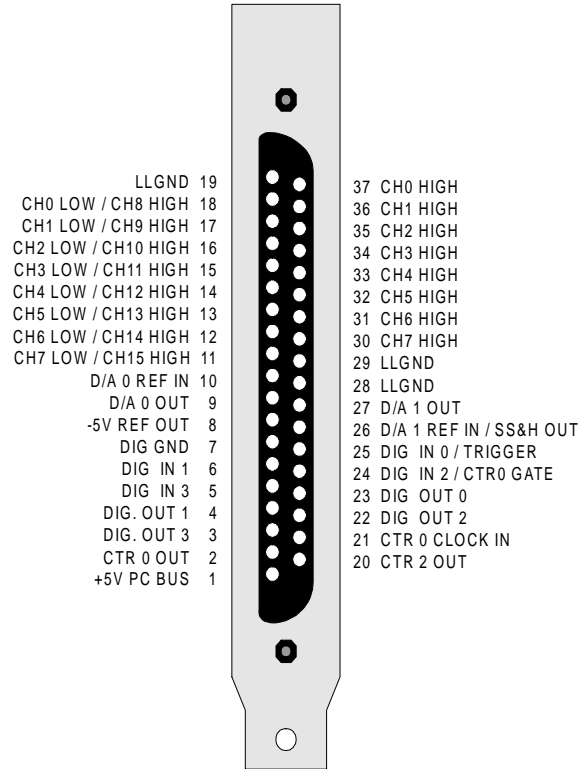
Many customers also take advantage of the power and simplicity offered by one of the upper level data acquisition packages. Please refer to the package's documentation for setup and usage details.

3.3 DIRECT REGISTER LEVEL PROGRAMMING

Though uncommon, some applications do not allow the use of our Universal Library, and are not a good match for an upper level package. For these sophisticated programmers, we provide a detailed register mapping in Chapter 6.

InstaCal™ is a complete installation, calibration and test package. Use it to guide the installation procedure and to calibrate your data acquisition board. ***InstaCal also creates a configuration file required for programmers who use the Universal Library programming libraries.***

4.1 MAIN CONNECTOR DIAGRAM



37 PIN CONNECTOR

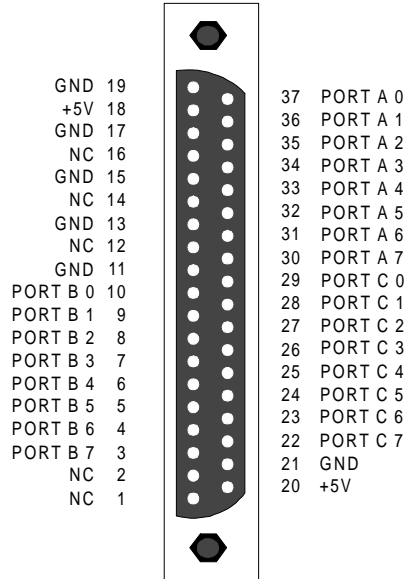
CIO-DAS1600 ANALOG SIGNAL CONNECTOR

The CIO-DAS1600 analog connector is a 37 pin “D” connector accessible from the rear of the PC through the expansion back plate. The signals available are identical to the DAS-16, or optionally, an additional signal, SS&H OUT, is available at pin 26.

The connector accepts female 37 D type connectors, such as those on the C73FF-2, two foot cable with connectors. If frequent changes to signal connections or signal conditioning is required we strongly recommend purchasing the CIO-MINI37 screw terminal board along with the mating C37FF-2 cable

4.2 DIGITAL I/O CONNECTOR (NOT APPLICABLE TO -P5 VERSIONS)

The digital I/O connector is mounted at the rear of the CIO-DAS1600 and will accept a 40 pin header connector. The optional BP40-37 brings the signals to a back plate with a 37 pin male connector mounted in it. When connected through the BP40-37, the CIO-DAS1600 digital connector is identical to the CIO-DIO24 connector. The pin out of the BP40-37 connector is shown below.



DIGITAL I/O CONNECTOR

5.1 ANALOG INPUTS

Analog signal connection is one of the most challenging aspects of applying a data acquisition board. If you are an Analog Electrical Engineer then this section is not for you, but if you are like most PC data acquisition users, the best way to connect your analog inputs may not be obvious. Though complete coverage of this topic is well beyond the scope of this manual, the following section provides some explanations and helpful hints regarding these analog input connections. This section is designed to help you achieve the optimum performance from your CIO-DAS1600 series board.

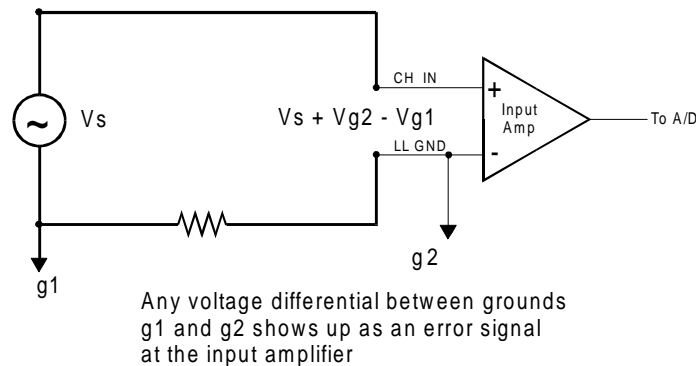
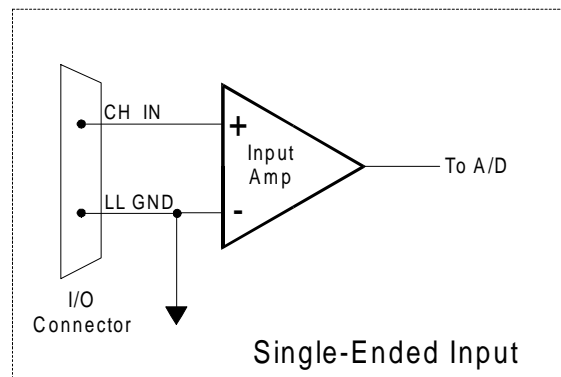
Prior to jumping into actual connection schemes, you should have at least a basic understanding of Single-Ended/Differential inputs and system grounding/isolation. If you are already comfortable with these concepts you may wish to skip to the next section (on wiring configurations).

5.1.1 Single-Ended and Differential Inputs

The CIO-DAS1600 provides either 8 differential or 16 single-ended input channels. The concepts of single-ended and differential inputs are discussed in the following section.

Single-Ended Inputs

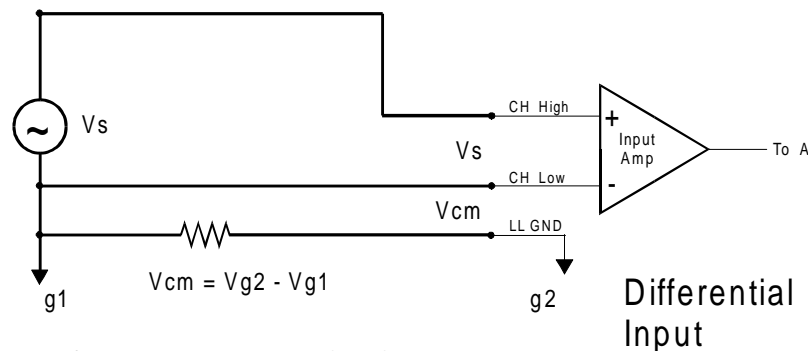
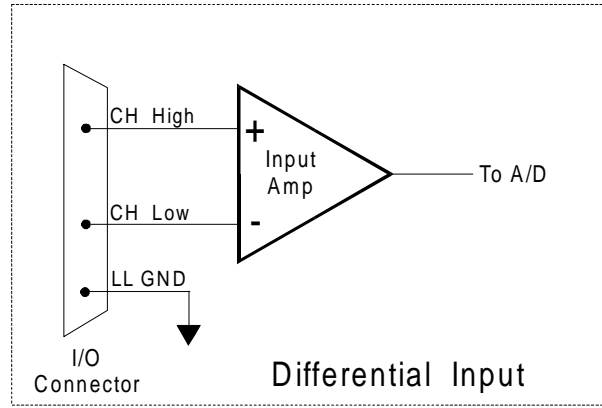
A single-ended input measures the voltage between the input signal and ground. In this case, in single-ended mode the CIO-DAS1600 measures the voltage between the input channel and LLGND. The single-ended input configuration requires only one physical connection (wire) per channel and allows the CIO-DAS1600 to monitor more channels than the (2-wire) differential configuration using the same connector and onboard multiplexor. However, since the CIO-DAS1600 is measuring the input voltage relative to its own low level ground, single-ended inputs are more susceptible to both EMI (Electro Magnetic Interference) and any ground noise at the signal source. The following diagrams show the single-ended input configuration



Single-ended input with Common Mode Voltage

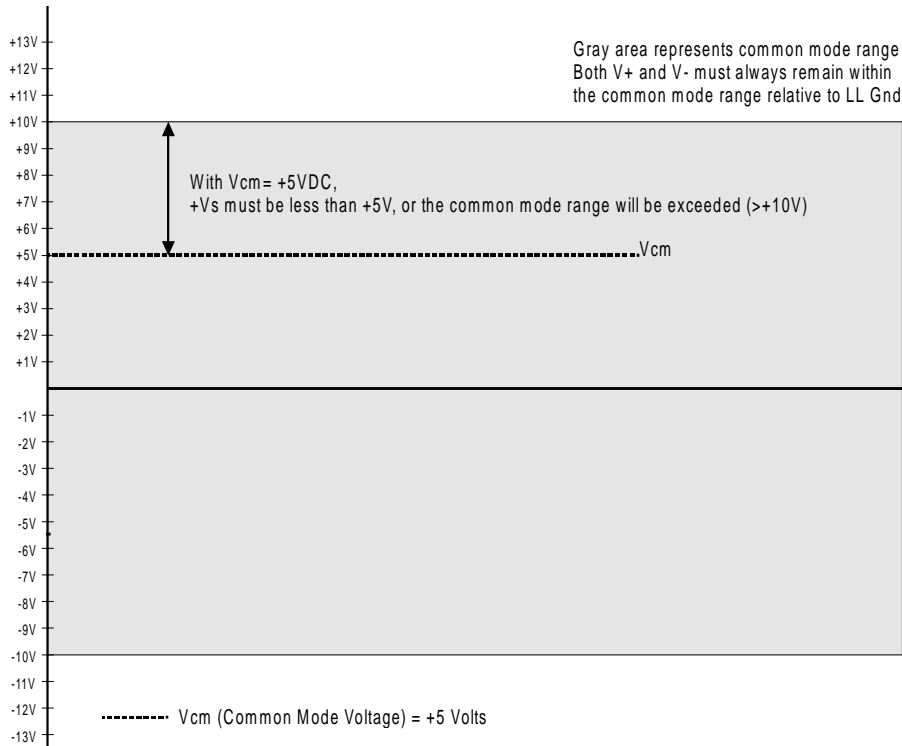
Differential Inputs

Differential inputs measure the voltage between two distinct input signals. Within a certain range (referred to as the common mode range), the measurement is almost independent of signal source to CIO-DAS1600 ground variations. A differential input is also much more immune to EMI than a single-ended one. Most EMI noise induced in one lead is also induced in the other, the input only measures the difference between the two leads, and the EMI common to both is ignored. This effect is a major reason there is twisted pair wire as the twisting assures that both wires are subject to virtually identical external influence. The diagram below shows a typical differential input configuration.



Common Mode Voltage (V_{cm}) is ignored by differential input configuration. However, note that $V_{cm} + V_s$ must remain within the amplifier's common mode range of $\pm 10V$

Before moving on to the discussion of grounding and isolation, it is important to explain the concepts of common mode, and common mode range (CM Range). Common mode voltage is depicted in the diagram above as V_{cm} . Though differential inputs measure the voltage between two signals, without (almost) respect to the either signal's voltages relative to ground, there is a limit to how far away from ground either signal can go. Though the CIO-DAS1600 has differential inputs, it will not measure the difference between 100V and 101V as 1 Volt (in fact the 100V would destroy the board!). This limitation or common mode range is depicted graphically in the following diagram. The CIO-DAS1600 common mode range is ± 10 Volts. Even in differential mode, no input signal can be measured if it is more than 10V from the board's low level ground (LLGND).



5.1.2 System Grounds and Isolation

There are three scenarios possible when connecting your signal source to your CIO-DAS1600 board.

1. The CIO-DAS1600 and the signal source may have the same (or **common**) ground. This signal source may be connected directly to the CIO-DAS1600.
2. The CIO-DAS1600 and the signal source may have an offset voltage between their grounds (AC and/or DC). This offset is commonly referred to a **common mode voltage**. Depending on the magnitude of this voltage, it may or may not be possible to connect the CIO-DAS1600 directly to your signal source. We will discuss this topic further in a later section.
3. The CIO-DAS1600 and the signal source may already have **isolated grounds**. This signal source may be connected directly to the CIO-DAS1600.

Which system do you have?

Try the following experiment. Using a battery powered voltmeter*, measure the voltage (difference) between the ground signal at your signal source and at your PC. Place one voltmeter probe on the PC ground and the other on the signal source ground. Measure both the AC and DC Voltages.

**If you do not have access to a voltmeter, skip the experiment and take a look at the following three sections. You may be able to identify your system type from the descriptions provided.*

If both AC and DC readings are 0.00 volts, you may have a system with common grounds. However, since voltmeters will average out high frequency signals, there is no guarantee. Please refer to the section below titled **Common Grounds**.

If you measure reasonably stable AC and DC voltages, your system has an offset voltage between the grounds category. This offset is referred to as a Common Mode Voltage. Please be careful to read the following warning and then proceed to the section describing **Common Mode** systems.

WARNING

If either the AC or DC voltage is greater than 10 volts, do not connect the CIO-DAS1600 to this signal source. You are beyond the boards usable common mode range and will need to either adjust your grounding system or add special Isolation signal conditioning to take useful measurements. A ground offset voltage of more than 30 volts will likely damage the CIO-DAS1600 board and possibly your computer. Note that an offset voltage much greater than 30 volts will not only damage your electronics, but it may also be hazardous to your health.

This is such an important point, that we will state it again. If the voltage between the ground of your signal source and your PC is greater than 10 volts, your board will not take useful measurements. If this voltage is greater than 30 volts, it will likely cause damage, and may represent a serious shock hazard! In this case you will need to either reconfigure your system to reduce the ground differentials, or purchase and install special electrical isolation signal conditioning.

If you cannot obtain a reasonably stable DC voltage measurement between the grounds, or the voltage drifts around considerably, the two grounds are most likely isolated. The easiest way to check for isolation is to change your voltmeter to it's ohm scale and measure the resistance between the two grounds. It is recommended that you turn both systems off prior to taking this resistance measurement. If the measured resistance is more than 100 Kohm, it's a fairly safe bet that your system has electrically *isolated grounds*.

Systems with Common Grounds

In the simplest (but perhaps least likely) case, your signal source will have the same ground as the CIO-DAS1600. This would typically occur when providing power or excitation to your signal source directly from the CIO-DAS1600. There may be other common ground configurations, but it is important to note that any voltage between the CIO-DAS1600 ground and your signal ground is a potential error voltage if you set up your system based on a common ground assumption.

As a safe rule of thumb, if your signal source or sensor is not connected directly to an LLGND pin on your CIO-DAS1600, it's best to assume that you do not have a common ground even if your voltmeter measured 0.0 Volts. Configure your system as if there is ground offset voltage between the source and the CIO-DAS1600. This is especially true if you are using either the CIO-DAS1602/16 or the CIO-DAS1602/12 at high gains, since ground potentials in the sub millivolt range will be large enough to cause A/D errors, yet will not likely be measured by your handheld voltmeter.

Systems with Common Mode (ground offset) Voltages

The most frequently encountered grounding scenario involves grounds that are somehow connected, but have AC and/or DC offset voltages between the CIO-DAS1600 and signal source grounds. This offset voltage may be AC, DC or both and may be caused by a wide array of phenomena including EMI pickup, resistive voltage drops in ground wiring and connections, etc. Ground offset voltage is a more appropriate term to describe this type of system, but since our goal is to keep things simple, and help you make appropriate connections, we'll stick with our somewhat loose usage of the phrase Common Mode.

Small Common Mode Voltages

If the voltage between the signal source ground and CIO-DAS1600 ground is small, the combination of the ground voltage and input signal will not exceed the CIO-DAS1600's +/-10V common mode range, (*i.e. the voltage between grounds, added to the maximum input voltage, stays within +/-10V*). This input is compatible with the CIO-DAS1600 and the system may be connected without additional signal conditioning. Fortunately, most systems will fall in this category and have a small voltage differential between grounds.

Large Common Mode Voltages

If the ground differential is large enough, the CIO-DAS1600's +/- 10V common mode range will be exceeded (*i.e. the voltage between CIO-DAS1600 and signal source grounds, added to the maximum input voltage you're trying to measure exceeds +/-10V*). In this case the CIO-DAS1600 cannot be directly connected to the signal source. You will need to change your system grounding configuration or add isolation signal conditioning. (Please look at our ISO-RACK and ISO-5B-series products to add electrical isolation, or give our technical support group a call to discuss other options.)

NOTE

Relying on the earth prong of a 120VAC for signal ground connections is not advised.. Different ground plugs may have large and potentially even dangerous voltage differentials. Remember that the ground pins on 120VAC outlets on different sides of the room may only be connected in the basement. This leaves the possibility that the "ground" pins may have a significant voltage differential (especially if the two 120 VAC outlets happen to be on different phases!)

CIO-DAS1600 and signal source already have isolated grounds

Some signal sources will already be electrically isolated from the CIO-DAS1600. The diagram below shows a typical isolated ground system. These signal sources are often battery powered, or are fairly expensive pieces of equipment (since isolation is not an inexpensive proposition), isolated ground systems provide excellent performance, but require some extra effort during connections to assure optimum performance is obtained. Please refer to the following sections for further details.

5.2 WIRING CONFIGURATIONS

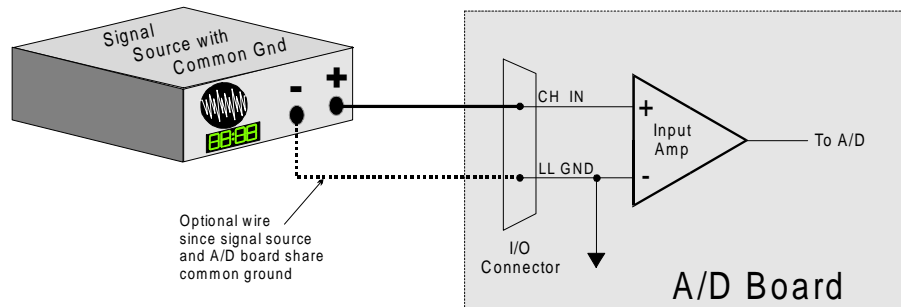
Combining all the grounding and input type possibilities provides us with the following potential connection configurations. The combinations along with our recommendations on usage are shown in the chart below.

Ground Category	Input Configuration	Our view
Common Ground	Single-Ended Inputs	Recommended
Common Ground	Differential Inputs	Acceptable
Common Mode Voltage < +/-10V	Single-Ended Inputs	Not Recommended
Common Mode Voltage < +/-10V	Differential Inputs	Recommended
Common Mode Voltage > +/- 10V	Single-Ended Inputs	Unacceptable without adding Isolation
Common Mode Voltage > +/-10V	Differential Inputs	Unacceptable without adding Isolation
Already Isolated Grounds	Single-ended Inputs	Acceptable
Already Isolated Grounds	Differential Inputs	Recommended

The following sections depicts recommended input wiring schemes for each of the 8 possible input configuration/grounding combinations.

5.2.1 Common Ground /Single-Ended Inputs

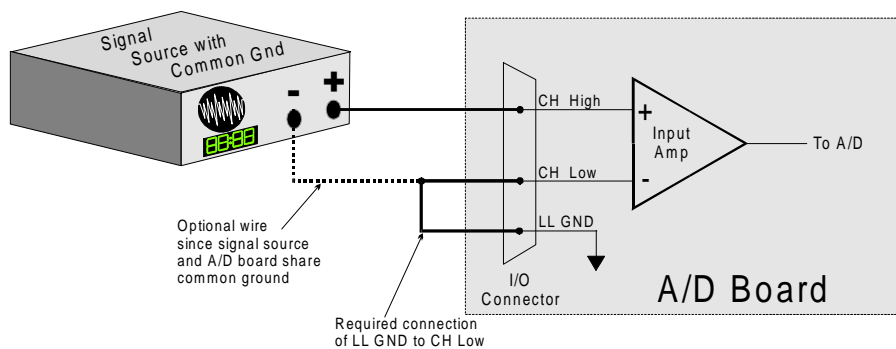
Single-ended is the recommended configuration for common ground connections. However, if some of your inputs are common ground and some are not, we recommend you use the differential mode. There is no performance penalty (other than loss of channels) for using a differential input to measure a common ground signal source. However the reverse is not true. The diagram below shows a recommended connection diagram for a common ground / single-ended input system



Signal source and A/D board sharing common ground connected to single-ended input.

5.2.2 Common Ground /Differential Inputs

The use of differential inputs to monitor a signal source with a common ground is an acceptable configuration though it requires more wiring and offers fewer channels than selecting a single-ended configuration. The diagram below shows the recommended connections in this configuration.



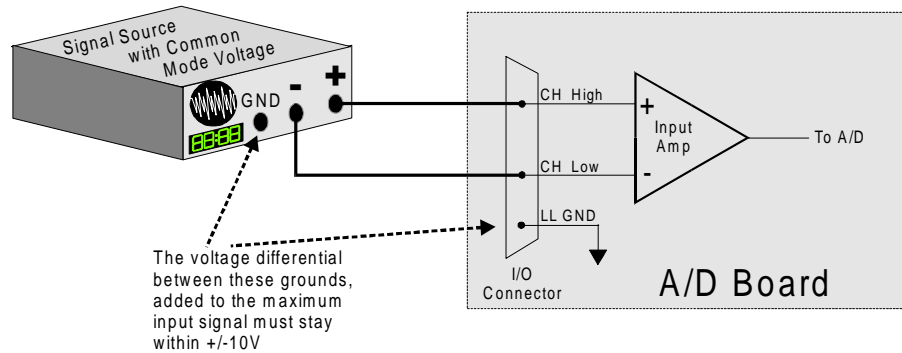
Signal source and A/D board sharing common ground connected to differential input.

5.2.3 Common Mode Voltage < +/-10V /Single-Ended Inputs

This is not a recommended configuration. In fact, the phrase common mode has no meaning in a single-ended system and this case would be better described as a system with offset grounds. Anyway, you are welcome to try this configuration, no system damage should occur and depending on the overall accuracy you require, you may receive acceptable results.

5.2.4 Common Mode Voltage < +/-10V /Differential Inputs

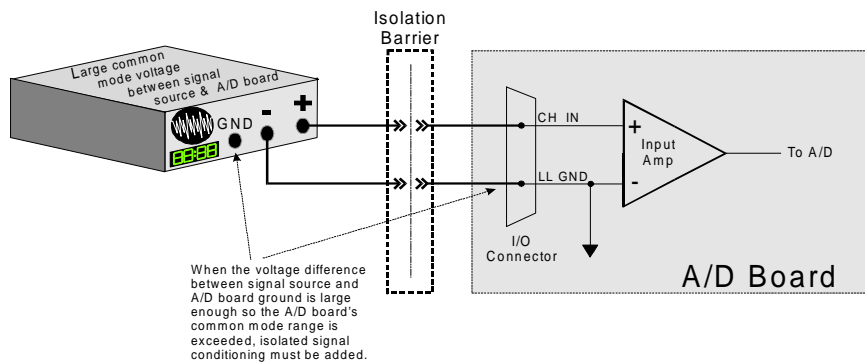
Systems with varying ground potentials should always be monitored in the differential mode. Care is required to assure that the sum of the input signal and the ground differential (referred to as the common mode voltage) does not exceed the common mode range of the A/D board (+/-10V on the CIO-DAS1600). The diagram below show recommended connections in this configuration.



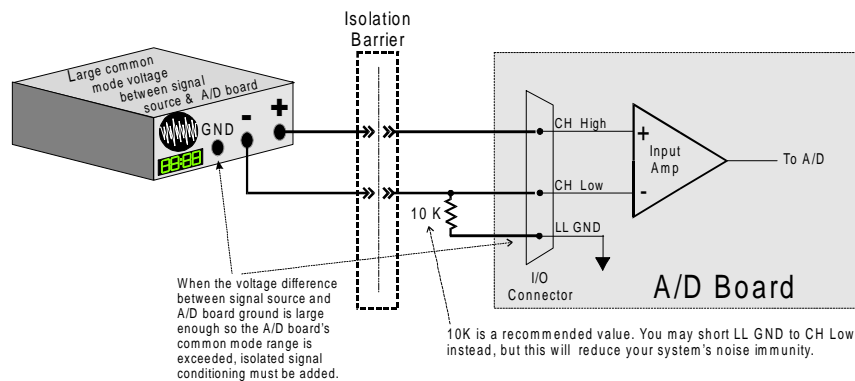
Signal source and A/D board with common mode voltage connected to a differential input.

5.2.5 Common Mode Voltage > +/-10V

The CIO-DAS1600 will not directly monitor signals with common mode voltages greater than +/-10V. You will either need to alter the system ground configuration to reduce the overall common mode voltage, or add isolated signal conditioning between the source and your board.



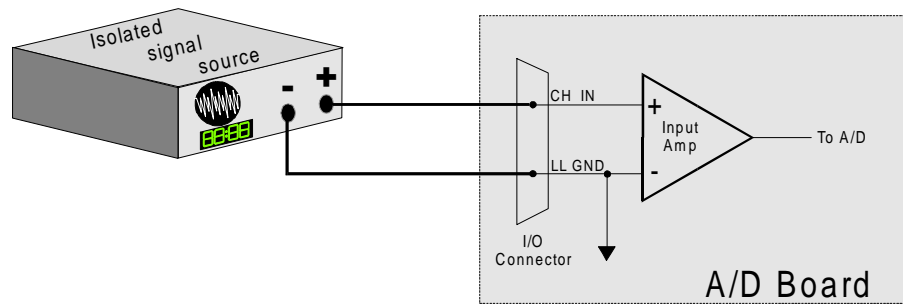
System with a Large Common Mode Voltage, Connected to a Single-Ended Input



System with a Large Common Mode Voltage, Connected to a Differential Input

5.2.6 Isolated Grounds /Single-Ended Inputs

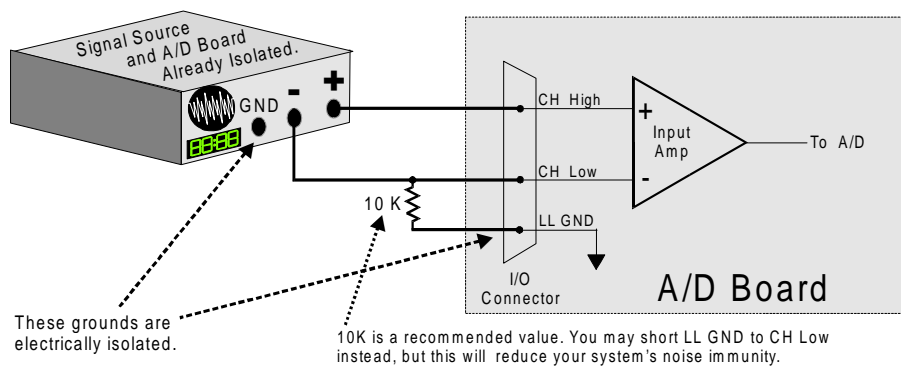
Single-ended inputs can be used to monitor isolated inputs, though the use of the differential mode will increase your system's noise immunity. The diagram below shows the recommended connections in this configuration.



Isolated Signal Source
Connected to a Single-Ended Input

5.2.7 Isolated Grounds / Differential Inputs

Optimum performance with isolated signal sources is assured with the use of the differential input setting. The diagram below shows the recommended connections in this configuration.



These grounds are electrically isolated.

10K is a recommended value. You may short LL GND to CH Low instead, but this will reduce your system's noise immunity.

Already isolated signal source
and A/D board connected to
a differential input.

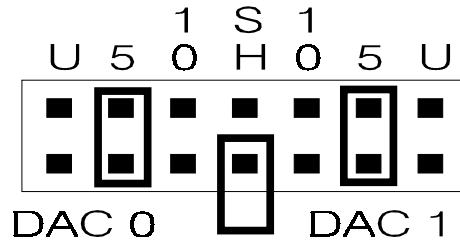
5.3 ANALOG OUTPUTS

Analog outputs are simple voltage outputs which can be connected to any device which will record, display or be controlled by a voltage. The CIO-DAS1600 analog outputs are 4 quadrant multiplying DACs. This means that they accept an input voltage reference and provide an output voltage which is inverse to the reference voltage and proportional to the digital value in the output register.

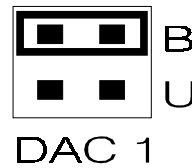
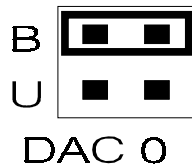
For example, in unipolar mode, the supplied reference of -5V provides a +5V output when the value in the output register is 4095 (full scale at 12-bits of resolution). It provides a value of 2.5V when the value in the output register is 2048.

The diagram shows the onboard reference internally jumpered. Both D/A outputs will have a range of -5 to 5 volts. This is the default factory configuration.

D/A 0 & 1 RANGE JUMPER BLOCK



CODE	FUNCTION	Default Jumpers Shown
U	User supplied D/A reference	
5	5 Volt Range	
10	10 Volt Range	
SH	Sample & Hold Trigger	
B	Bipolar Range	
U	Unipolar Range	



CHAPTER 6: CIO-DAS1600 ARCHITECTURE

6.1 CONTROL & DATA REGISTERS

The CIO-DAS1600 is controlled and monitored by writing to and reading from 24 distinct I/O addresses. The first address is referred to as the BASE ADDRESS (BADR) and is set by a bank of switches on the board. All other addresses are located at the BASE ADDRESS plus a specified offset. In particular, the main analog I/O functions are controlled by the I/O addresses from BADR to BADR+15 and BADR+404H through BADR+407H. The additional 82C55 based digital I/O uses 4 consecutive I/O addresses at BASE ADDRESS + 400H (the -P5 versions do not include this 82C55).

Registers are easy to read from and write to, though to create a complete data acquisition software program at the register level is a significant undertaking. Unless there is a specific reason that you need to write your program at the register level, we highly recommend the use of our Universal Library.

The method of programming required to set/read bits from bytes is beyond the scope of this manual. It will be covered in most Introduction To Programming books, available from a book store. The remainder of this chapter is included for those who wish to write their own register level programs.

In summary form, the registers and their functions are listed on the following table. Within each register are 8 bits which may constitute a byte of data or 8 individual bit set/read functions.

ADDRESS	READ FUNCTION	WRITE FUNCTION
BASE	A/D Data (Least significant)	Start A/D Conversion
BASE + 1	A/D Data (Most significant)	None
BASE + 2	Channel MUX	Channel MUX / FIFO reset
BASE + 3	Digital 4 Bit Input	Digital 4 Bit Output
BASE + 4	None	D/A 0 Least Significant bits
BASE + 5	None	D/A 0 Most Significant bits
BASE + 6	None	D/A 1 Least Significant bits
BASE + 7	None	D/A 1 Most Significant bits
BASE + 8	Status EOC, UNI/BIP etc.	Clear Interrupt
BASE + 9	DMA, Interrupt & Trigger Control	Set DMA, INT etc
BASE + 10	none	Burst Length/pacer clk cntrl
BASE + 11	PGA gain	PGA Control/DT reset
BASE + 12	Counter 0 Data	Counter 0 Data
BASE + 13	CTR 1 Data - A/D Pacer Clock	CTR 1 Data - A/D Pacer
BASE + 14	CTR 2 Data - A/D Pacer Clock	CTR 2 Data - A/D Pacer
BASE + 15	None. No read back on 8254	Pacer Clock Control (8254)
BASE + 400H	Port A Input of 8255	Port A Output, n/a on -P5
BASE + 401H	Port B Input	Port B Output, n/a on -P5
BASE + 402H	Port C Input	Port C Output, n/a on -P5
BASE + 403H	None. No read back on 8255	Configure 8255, n/a on -P5
BASE + 404H	None	Conversion Enable/Disable
BASE + 405H	None	Burst Mode Enable/Disable
BASE + 406H	None	DAS 1600 Enable/Disable
BASE + 407H	Status of extended features	None

6.1.1 A/D DATA & CHANNEL REGISTERS (CIO-DAS1600/12)

BASE ADDRESS +0

7	6	5	4	3	2	1	0
A/D 3	A/D 2	A/D 1	A/D 0 LSB	CH8	CH4	CH2	CH1

A read/write register.

READ

On read, it contains two types of data. The least significant 4 digits of the Analog input data and the channel number from which the current data was taken.

These 4 bits of analog input data must be combined with the 8 bits of analog input data in BASE + 1, forming a complete 12 bit number. The data is in the format 0 = minus full scale. 4095 = +FS.

The channel number is binary. If the current channel were 5 then bits CH2 and CH0 would be high, CH3 and CH1 would be low.

WRITE

Writing any data to the register causes an immediate A/D conversion.

BASE ADDRESS +1

7	6	5	4	3	2	1	0
A/D 11 MSB	A/D 10	A/D 9	A/D 8	A/D 7	A/D 6	A/D 5	A/D 4

A Read-only register.

On read the most significant A/D byte is read.

6.1.2 A/D DATA & CHANNEL REGISTERS (CIO-DAS1602/16)

BASE ADDRESS

7	6	5	4	3	2	1	0
A/D 7	A/D 6	A/D 5	A/D 4	A/D 3	A/D 2	A/D 1	A/D 0 LSB

A read/write register.

READ

On read, it contains the least significant 8 digits of the Analog input data.

These 8 bits of analog input data must be combined with the 8 bits of analog input data in BASE + 1, forming a complete 16 bit number. The data is in the format 0 = minus full scale. 65,535 = +FS.

WRITE

Writing any data to the register causes an immediate A/D conversion.

BASE ADDRESS +1

7	6	5	4	3	2	1	0
A/D 15 MSB	A/D 14	A/D 13	A/D 12	A/D 11	A/D 10	A/D 9	A/D 8

A Read-only register.

On read the most significant A/D byte is read.

6.1.3 CHANNEL MUX SCAN LIMITS REGISTER

BASE ADDRESS +2

7	6	5	4	3	2	1	0
CH H3	CH H2	CH H1	CH H0	CH L3	CH L2	CH L1	CH L0

A read and write register.

READ

The current channel scan limits are read as one byte. The high channel number scan limit is in the most significant 4 bits. The low channel scan limit is in the least significant 4 bits.

WRITE

The channel scan limits desired are written as one byte. The high channel number scan limit is in the most significant 4 bits. The low channel scan limit is in the least significant 4 bits.

NOTE

Every write to this register sets the current A/D channel MUX setting to the number in bits 0-3 and resets the FIFO. See BASE + 8.

6.1.4 FOUR BIT DIGITAL I/O REGISTERS

BASE ADDRESS+3

7	6	5	4	3	2	1	0
1	1	0	0	DI3	DI2, CTR0 GATE	DI1	DI0, TRIG

READ

The signals present at the inputs are read as one byte, the most significant 4 bits of which are always zero. The pins 25 (digital input 0) and 24 (digital input 2) digital inputs have two functions each.

The TRIG function of digital input 0 may be used to hold off the first sample of an A/D set by holding it low (0V) until you are ready to take samples, which are then paced by the 8254. It can also be used as the source of an external start conversion pulse, synchronizing A/D conversions to some external event.

When written to..

7	6	5	4	3	2	1	0
X	X	X	X	DO3	DO2	DO1	DO0

WRITE

The upper four bits are ignored. The lower four bits are latched TTL outputs. Once written, the state of the inputs cannot be read back because a read back would read the separate digital input lines (see above).

NOTE

The digital lines 0-4, pins 3,4,5,6,22,23,24 & 25 of the analog connector should not be used as ON/OFF Digital I/O. Read on.

The digital inputs have multiple functions as described above. The digital outputs are also used by the CIO-EXP32, 32 channel analog multiplexor/amplifier. The original DAS-16 design is woefully short of digital I/O, so we added a CIO-DIO24 compatible 24 line 8255 to the design. It is our suggestion that these lines be used for ON/OFF digital functions, keeping the 4 bit ports on the analog connector free.

6.1.5 D/A REGISTERS

D/A 0 REGISTERS

BASE ADDRESS +4

7	6	5	4	3	2	1	0
D/A3	D/A2	D/A1	D/A0	X	X	X	X

BASE ADDRESS + 5

7	6	5	4	3	2	1	0
D/A11	D/A10	D/A9	D/A8	D/A7	D/A6	D/A5	D/A4

D/A 1 REGISTERS**BASE ADDRESS + 6**

7	6	5	4	3	2	1	0
D/A3	D/A2	D/A1	D/A0	X	X	X	X

BASE ADDRESS + 7

7	6	5	4	3	2	1	0
D/A11	D/A10	D/A9	D/A8	D/A7	D/A6	D/A5	D/A4

WRITE ONLY

Each 12 bit D/A output line has two registers. The first contains the 4 least significant bits of the data and 4 bits that don't matter. The second register contains the 8 most significant bits of the data.

The D/A will be updated when the 8 most significant bits (upper register) are written. In this way, the lower 4 bits may be written with no effect on the D/A output until the remainder of the data is written to the upper 8 bits.

6.1.6 STATUS REGISTER**BASE ADDRESS + 8**

7	6	5	4	3	2	1	0
EOC	U/B	MUX	INT	CH3	CH2	CH1	CH0

A read mostly, one-function-write register.

READ

EOC = 1, the A/D converter is busy. EOC = 0, it is free.

U/B = 1, the amplifier is in Unipolar mode. U/B = 0, is bipolar.

MUX = 1, Channels are configured 16 single ended. MUX = 0, 8 differential.

INT = 1, an external pulse has been received. INT = 0, the flip-flop is ready to receive a pulse..

There is a flip-flop on the TRIGGER input (pin 25) which will latch a pulse as short as 200 nanoseconds. Once triggered, this flip-flop must be reset by a write to this register. Your interrupts service routine must do this before another interrupt trigger can be received.

CH3, CH2, CH1 & CH0 are a binary number between 0 and 15 indicating the MUX channel currently selected and is valid only when EOC = 0. The channel MUX increments shortly after EOC = 1 so may be in a state of transition when EOC = 1.

WRITE

A write of any data to this register resets the flip-flop on the pin 25 input and sets the INT bit to 0.

6.1.7 DMA, INTERRUPT & TRIGGER CONTROL**BASE ADDRESS + 9**

7	6	5	4	3	2	1	0
INTE	IR2	IR1	IR0	Don't	DMA	TS1	TS0

				Care			
--	--	--	--	------	--	--	--

A read and write register.

READ

INTE = 1, Interrupts are enabled. An interrupt generated will be placed on the PC bus interrupt level selected by IR4, IR2 & IR1.
 INTE = 0, interrupts are disabled.

IR2, IR1, IR0 are bits in a binary number between 0 and 7 which map interrupts onto the PC bus interrupt levels 2 - 7. Interrupts 0 & 1 may not be asserted by the CIO-DAS1600.

IR2	IR1	IR0	INTERRUPT LEVEL
0	0	0	None
0	0	1	None
0	1	0	2
0	1	1	3
1	0	0	4
1	0	1	5
1	1	0	6
1	1	1	7

DMA = 1, DMA transfers are enabled. DMA = 0, DMA transfers are disabled. It is worth noting that this bit only allows the CIO-DAS1600 to assert a DMA request to the PC on the DMA request level selected by the DMA switch on the CIO-DAS1600. Before this bit is set to 1, the PC's 8237 (or appropriate) DMA controller chip must be set up.

TS1 & TS0 control the source of the A/D start conversion trigger according to the table below.

TS1	TS0	
0	X	Software triggered A/D only
1	0	Start on rising edge (Digital input 0, Pin 25)
1	1	Start on Pacer Clock Pulse (CTR 2 OUT, no external access)

6.1.8 PACER CLOCK CONTROL REGISTER

BASE ADDRESS + 10

7	6	5	4	3	2	1	0
BL3	BL2	BL1	BL0	X	X	CTR0	TRIG0

Write only

BL3 - BL0 = BURST LENGTH. Nibble determines number of conversions per trigger when in burst mode. One to sixteen samples (single ended) or eight samples (differential) in a burst. When the CIO-DAS1600 is not in burst mode these bits have no function.

CTR0 = 1. When CTR0 = 1, an onboard 100KHz clock signal is ANDed with the COUNTER 0 CLOCK INPUT (pin 21). A high on pin 21 will allow pulses from the onboard source into the 8254 Counter 0 input. (This input has a pull-up resistor on it, so no connection is necessary to use the onboard clock as a pacer clock.

CTR0 = 0. When CTR0 = 0, the input to 8254 Counter 0 is entirely dependent on pulses at pin 21, COUNTER 0 CLOCK INPUT.

TRIG0 = 1. When TRIG0 = 1 external gating of the pacer clock at pin 25 is enabled. Pin 25 going high will start A/D conversions. The input at pin 25 is connected to a pull-up resistor and will remain high unless pulled low externally.

TRIG0 = 0. When TRIG0 = 0, the gating of the pacer clock at pin 25 is disabled. of counter 1 & 2 are held high, preventing any pulses from acting as a source of A/D start pulses.

The range, unipolar or bipolar is controlled by a switch. This switch is an artifact of old DAS-16 technology and should never have been designed into the DAS-1600. That it was designed into the DAS-1600 is unfortunate, but, since the CIO-DAS1600 is a perfect clone of the DAS-1600, we had to follow this scheme.

If your application is better served by programmable ranges, please consider the CIO-DAS16/Jr or CIO-DAS16/330 boards.

DT-CONNECT NOTE:

To guaranty that DT-Connect is properly initialized prior to any A/D transfer, the DT-Connect DT-Request handshake line is reset each time the programmable gain (Base + 11) register is written to. Therefore, it is not possible to use the DT-Connect for A/D sets which involve setting the gain between samples. This is not really a problem because any such scheme would be low speed and therefore store data to disk, obviating the need to use DT-Connect to store data on the MEGA-FIFO.

6.1.10 PACER CLOCK DATA & CONTROL REGISTERS

8254 COUNTER 0 DATA
BASE ADDRESS +12

7	6	5	4	3	2	1	0
D8	D7	D6	D5	D4	D3	D2	D1

8254 COUNTER 1 DATA
BASE ADDRESS +13

7	6	5	4	3	2	1	0
D8	D7	D6	D5	D4	D3	D2	D1

8254 COUNTER 2 DATA
BASE ADDRESS +14

7	6	5	4	3	2	1	0
D8	D7	D6	D5	D4	D3	D2	D1

The three 8254 counter/timer data registers may be written to and read from. Because each counter will count as high as 64,535, it is clear that loading or reading the counter data must be a multi-step process. The operation of the 8254 is explained in Intel 8254 data sheet.

8254 COUNTER CONTROL
BASE ADDRESS +15

7	6	5	4	3	2	1	0
D8	D7	D6	D5	D4	D3	D2	D1

This register controls the operation and loading/reading of the counters. The configuration of the 8254 codes which control the 8254 chip is explained in the Intel 8254 data sheet.

6.1.11 24-bit DIGITAL I/O REGISTERS (not applicable on -P5 versions)

PORT A DATA
BASE ADDRESS +400 HEX

7	6	5	4	3	2	1	0
D7	D6	D5	D4	D3	D2	D1	D0

PORT B DATA
BASE ADDRESS +401 HEX

7	6	5	4	3	2	1	0
B7	B6	B5	B4	B3	B2	B1	B0

Ports A & B may be programmed as input or output. Each is written to and read from in Bytes, although for control and monitoring purposes the individual bits are more interesting.

Bit set/reset and bit read functions require that unwanted bits be masked out of reads and ORed into writes.

PORT C DATA

BASE ADDRESS +402 HEX

7	6	5	4	3	2	1	0
C7	C6	C5	C4	C3	C2	C1	C0
CH3	CH2	CH1	CH0	CL3	CL2	CL1	CL0
128 Bit	64 Weight	32 Dec.	16	8	4	2	1
80 Bit	40 Weight	20 HEX	10	8	4	2	1

Bit to Binary to Decimal value chart

BIT	DECIMAL	HEX
7	128	80
6	64	40
5	32	20
4	16	10
3	8	8
2	4	4
1	2	2
0	1	1

Port C may be used as one 8 bit port of either input or output, or it may be split into two 4 bit ports which may be independently input or output. The notation for the upper 4 bit port is PCH3 - PCH0, and for the lower, PCL3 - PCL0.

Although it may be split, every read and write to port C carries 8 bits of data so unwanted information must be ANDed out of reads, and writes must be ORed with the current status of the other nibble.

OUTPUT PORTS

In 8255 mode 0 configuration, ports configured for output hold the output data written to them. This output byte may be read back by reading a port configured for output.

INPUT PORTS

In 8255 mode 0 configuration, ports configured for input read the state of the input lines at the moment, transitions are not latched.

8255 CONTROL REGISTER

BASE ADDRESS +403 HEX

7	6	5	4	3	2	1	0
MS	M3	M2	A	CU	M1	B	CL
Group A					Group B		

The 8255 may be programmed to operate in Input/ Output (mode 0), Strobed Input/ Output (mode 1) or Bi-Directional Bus (mode 2).

When the PC is powered up or RESET, the 8255 is reset. This places all 24 lines in Input mode and no further programming is needed to use the 24 lines as TTL inputs.

To program the 8255 for other modes, the following control code byte must be assembled into an 8 bit byte.

MS = Mode Set. 1 = mode set active

M3	M2	GROUP A FUNCTION		
0	1	Mode 0	Input / Output	
0	1	Mode 1	Strobed Input / Output	
1	X	Mode 2	Bi-Directional Bus	
A	B	CL	CH	INDEPENDENT FUNCTION
1	1	1	1	Input
0	0	0	0	Output

M1 = 0 is mode 0 for group B. Input / Output

M1 = 1 is mode 1 for group B. Strobed Input / Output

The Ports A, B, C High and C Low may be independently programmed for input or output.

The two groups of ports, group A and group B, may be independently programmed in one of several modes. The most commonly used mode is mode 0, input / output mode. The codes for programming the 8255 in this mode are shown below. D7 is always 1 and D6, D5 & D2 are always 0.

D4	D3	D1	D0	HEX	DEC	A	CU	B	CL
0	0	0	0	80	128	OUT	OUT	OUT	OUT
0	0	0	1	81	129	OUT	OUT	OUT	IN
0	0	1	0	82	130	OUT	OUT	IN	OUT
0	0	1	1	83	131	OUT	OUT	IN	IN
0	1	0	0	88	136	OUT	IN	OUT	OUT
0	1	0	1	89	137	OUT	IN	OUT	IN
0	1	1	0	8A	138	OUT	IN	IN	OUT
0	1	1	1	8B	139	OUT	IN	IN	IN
1	0	0	0	90	144	IN	OUT	OUT	OUT
1	0	0	1	91	145	IN	OUT	OUT	IN
1	0	1	0	92	146	IN	OUT	IN	OUT
1	0	1	1	93	147	IN	OUT	IN	IN
1	1	0	0	98	152	IN	IN	OUT	OUT
1	1	0	1	99	153	IN	IN	OUT	IN
1	1	1	0	9A	154	IN	IN	IN	OUT
1	1	1	1	9B	155	IN	IN	IN	IN

6.1.12 CONVERT DISABLE REGISTER

BASE ADDRESS +404 HEX

7	6	5	4	3	2	1	0
T	T	T	T	T	T	T	T

WRITE ONLY. Writing a 0 to this register enables triggering of the A/D converter if the DAS1600 mode is enabled. On power-up or reset this register is reset to conversion triggers enabled. Writing a 40H to this register disables A/D conversions.

6.1.13 BURST MODE ENABLE REGISTER

BASE ADDRESS +405 HEX

7	6	5	4	3	2	1	0
B	B	B	B	B	B	B	B

WRITE ONLY. Burst mode enable. Writing 40 HEX to this register enables the burst trigger. Writing 0 to this register disables burst trigger. On power-up or reset the burst trigger is disabled.

6.1.14 DAS1600 MODE ENABLE REGISTER

BASE ADDRESS +406 HEX

7	6	5	4	3	2	1	0
M	M	M	M	M	M	M	M

WRITE ONLY. DAS1600 mode enable. Writing 40 HEX to this register enables the DAS1600 functions. Writing 0 to this register disables DAS1600 functions. On power-up or reset the DAS1600 functions are disabled.

6.1.15 BURST STATUS REGISTER

BASE ADDRESS + 407 HEX

7	6	5	4	3	2	1	0
0	BME	ME	CD	0	0	WS	CLK

READ ONLY. This register provides status on:

- a. The clock select switch and wait state switch.
- b. The DAS1600 enable, Conversion Disable and Burst Mode Enable bits.

The register defaults to 000100XX on power-up or reset, which corresponds to the programmable bit default settings plus the state of the switches. The bit assignments are as follows.

- BME 1 = Burst Mode Enabled, 0 = disabled.
- ME 1 = DAS1600 Mode Enabled, 0 = disabled.
- CD 1 = Conversions allowed, 0 = conversions disabled.
- WS 1 = Wait State Enabled, 0 = No wait state.
- CLK 1 = 10MHz clock selected, 0 = 1MHz clock selected.

CHAPTER 7: CALIBRATION AND TEST

Every board was fully tested and calibrated before being placed in finished goods inventory at the factory. For normal environments a calibration interval of 6 months to one year is recommended. If frequent variations in temperature or humidity are common then recalibrate at least once every three months. It takes less than 20 minutes to calibrate the CIO-DAS1600.

7.1 REQUIRED EQUIPMENT

Ideally, you will need a precision voltage source, or a non precision source and a 4½ digit digital voltmeter (5 ½ digit for the CIO-DAS-1602/16), and a few pieces of wire.

You will not need an extender card to calibrate the board but you will need to have the cover off your computer with the power on, so trim pots can be adjusted during calibration. For that reason a plastic screwdriver has been supplied with your CIO-DAS1600. In the event that the screwdriver is dropped into the PC, no damage will result from short circuits.

7.2 CALIBRATING THE A/D & D/A CONVERTERS

The A/D is calibrated by applying a known voltage to an analog input channel and adjusting trim pots for offset and gain. There are three trim pots requiring adjustment to calibrate the analog input section of the CIO-DAS1600. There are also three pots associated with each of the analog output channels. The entire procedure is described in detail in the *InstaCal*[™], calibration routine.

The CIO-DAS1600 should be calibrated for the range you intend to use it in. When the range is changed, slight variation in Zero and Full Scale may result. These variations can be measured and removed in software if necessary.

8.1 VOLTAGE DIVIDERS

If you wish to measure a signal which varies over a range greater than the input range of an analog or digital input, a voltage divider can drop the voltage of the input signal to the level the analog or digital input can measure.

A voltage divider takes advantage of Ohm's law, which states,

$$\text{Voltage} = \text{Current} * \text{Resistance} \quad (V = I * R)$$

and Kirkoff's voltage law which states,

The sum of the voltage drops around a circuit will be equal to the voltage drop for the entire circuit.

Implied in the above is that any variation in the voltage drop for the circuit as a whole will have a proportional variation in all the voltage drops in the circuit.

A voltage divider takes advantage of the fact that the voltage across one of the resistors in a circuit is proportional to the voltage across the total resistance in the circuit.

The trick to using a voltage divider is to choose two resistors with the proper proportions relative to the full scale of the analog or digital input and the maximum signal voltage.

The phenomena of dropping the voltage proportionally is often called attenuation. The formula for attenuation is:

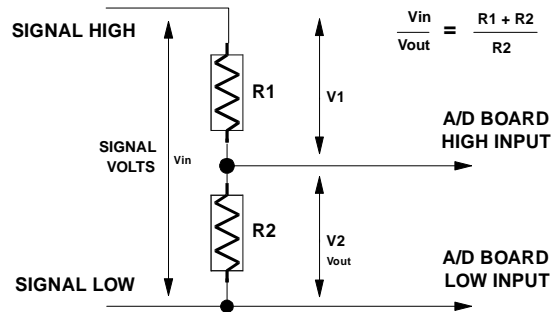
Attenuation =	$\frac{R1 + R2}{R2}$	The variable Attenuation is the proportional difference between the signal voltage max and the full scale of the analog input.
---------------	----------------------	--

2 =	$\frac{10K + 10K}{10K}$	For example, if the signal varies between 0 and 20 volts and you wish to measure that with an analog input with a full scale range of 0 to 10 volts, the Attenuation is 2:1 or just 2.
-----	-------------------------	--

$R1 =$	$(A - 1) * R2$	For a given attenuation, pick a handy resistor and call it R2, then use this formula to calculate R1.
--------	----------------	---

Digital inputs also make use of voltage dividers, for example, if you wish to measure a digital signal that is at 0 volts when off and 24 volts when on, you cannot connect that directly to the CIO-AD digital inputs. The voltage must be dropped to 5 volts max when on. The Attenuation is 24:5 or 4.8. Use the equation above to find an appropriate R1 if R2 is 1K. Remember that a TTL input is 'on' when the input voltage is greater than 2.5 volts.

SIMPLE VOLTAGE DIVIDER



IMPORTANT NOTE: The resistors, R1 and R2, are going to dissipate all the power in the divider circuit according to the equation $\text{Current} = \text{Voltage} / \text{Resistance}$. The higher the value of the resistance (R1 + R2) the less power dissipated by the divider circuit. Here is a simple rule:

For Attenuation of 5:1 or less, no resistor should be less than 10K.

For Attenuation of greater than 5:1, no resistor should be less than 1K.

The CIO-TERMINAL has the circuitry on board to create custom voltage dividers. The CIO-TERMINAL is a 16" by 4" screw terminal board with two 37 pin D type connectors and 56 screw terminals (12 - 22 AWG). Designed for table top, wall or rack mounting, the board provides prototype, divider circuit, filter circuit and pull-up resistor positions which you may complete with the proper value components for your application.

8.2 LOW PASS FILTERS

A low pass filter is placed on the signal wires between a signal and an A/D board. It stops frequencies greater than the cut off frequency from entering the A/D board's analog or digital inputs.

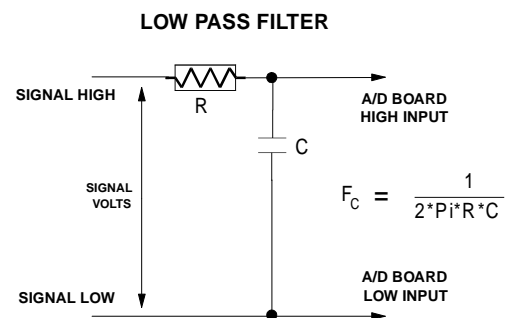
The key term in a low pass filter circuit is cut off frequency. The cut off frequency is that frequency above which no variation of voltage with respect to time may enter the circuit. For example, if a low pass filter had a cut off frequency of 30 Hz, the kind of interference associated with line voltage (60Hz) would be filtered out but a signal of 25Hz would be allowed to pass.

Also, in a digital circuit, a low pass filter might be used to de-bounce an input from a momentary contact button pushed by a person.

A low pass filter may be constructed from one resistor (R) and one capacitor (C). The cut off frequency is determined according to the formula (use Pi = 3.14):

$$F_c = \frac{1}{2 * \text{Pi} * R * C}$$

$$R = \frac{1}{2 * \text{Pi} * C * F_c}$$



9.1 CIO-DAS1602/12

Power consumption

+5 1.4A typical, 2.1A max

Analog input section

A/D converter type ADS7800 successive approximation
Resolution 12 bits
Programmable ranges
CIO-DAS1601/12 $\pm 10V, \pm 1V, \pm 0.1V, \pm 0.01V, 0 - 10V, 0 - 1V, 0 - 0.1V, 0 - 0.01V$
CIO-DAS1602/12 $\pm 10V, \pm 5V, \pm 2.5V, \pm 1.25V, 0 - 10V, 0 - 5V, 0 - 2.5V, 0 - 1.25V$
A/D pacing Programmable: external source (Din0, positive edge) or internal counter (positive or negative edge, jumper selectable) or software polled
Burstmode 4 μ s
Data transfer From 512 sample FIFO via interrupt, DMA, DT-Connect to external memory board or software polled
Polarity Unipolar/Bipolar, switch selectable
Number of channels 8 differential or 16 single-ended, switch selectable
Interrupts 2-7
Interrupt enable Programmable
Interrupt sources End-of-conversion, terminal count (DMA)
DMA Channel 1 or 3
Trigger sources External hardware/software (DIn0)
A/D conversion time 3.3 μ s
Throughput
DMA 160kHz
DT-Connect (multi-channel) 250kHz
DT-Connect (single-channel) 330kHz
Differential Linearity error ± 1 LSB
Integral Linearity error ± 1 LSB
No missing codes guaranteed 12 bits
Gain drift ± 60 ppm/ $^{\circ}$ C
Zero drift ± 160 ppm/ $^{\circ}$ C
Input leakage current (@25 Deg C) 200nA
Input impedance Min 10Meg Ohms
Absolute maximum input voltage $\pm 35V$

Analog Output:

Resolution 12 bits
Number of channels 2
D/A type MX7548
Voltage Ranges $\pm 10V, \pm 5V, 0-5V, 0-10V$ or user defined range between 0 and 10V. Each channel independently configurable by jumpers.
Offset error Trimmable to 0 by potentiometer
Gain error Trimmable to 0 by potentiometer
Differential nonlinearity ± 1 LSB max
Integral nonlinearity ± 1 LSB max
Monotonicity Guaranteed monotonic

D/A pacing	Software paced
Data transfer	Double buffered software transfer, update on write to MSB register.
Throughput	System dependent, software paced.
Slew Rate	0.3V/ μ s
Current Drive (OP07)	± 5 mA min
Output short-circuit duration	Indefinite
Output coupling	DC
Output impedance	0.1 Ohms max
Miscellaneous	Double buffered output latches

Digital Input / Output

Digital Type (Digital I/O connector)	82C55
Configuration	2 banks of 8, 2 banks of 4, programmable by bank as input or output
Number of channels	24 I/O
Output High	3.0 volts min @ -2.5mA
Output Low	0.4 volts max @ 2.5mA
Input High	2.0 volts min, 5.5 volts absolute max
Input Low	0.8 volts max, -0.5 volts absolute min
Digital Type (Main connector)	
Output	74LS197
Input	74LS244
Configuration	4 fixed input, 4 fixed output
Number of channels	8
Output High	2.7 volts min @ -0.4mA
Output Low	0.5 volts max @ 8mA
Input High	2.0 volts min, 7 volts absolute max
Input Low	0.8 volts max, -0.5 volts absolute min

Counters section

Counter type	82C54
Configuration	3 down counters, 16 bits each
	Counter 0 - Independent, user configurable
	Source: Programmable - Internal 100kHz or external (CTR0 Clock In)
	Gate: External (DIn2)
	Output: Available at user connector (CTR0 Out)
	Counter 1 - ADC Pacer Lower Divider
	Source: 1 or 10 MHz oscillator (jumper selectable)
	Gate: Tied to Counter 2 gate, programmable source.
	Output: Chained to Counter 2 Clock.
	Counter 2 - ADC Pacer Upper Divider
	Source: Counter 1 Output.
	Gate: Tied to Counter 1 gate, programmable source.
	Output: ADC Pacer clock
Clock input frequency	10Mhz max
High pulse width (clock input)	30ns min
Low pulse width (clock input)	50ns min
Gate width high	50ns min
Gate width low	50ns min
Input low voltage	0.8V max
Input high voltage	2.0V min
Output low voltage	0.4V max
Output high voltage	3.0V min

Environmental

Operating temperature range	0 to 50°C
Storage temperature range	-20 to 70°C
Humidity	0 to 90% non-condensing
Weight	11.2 Oz.

9.2 CIO-DAS1602/16

Power consumption

+5	1.4A typical, 2.1A max
----	------------------------

Analog input section

A/D converter type	ADS7805 successive approximation
Resolution	16 bits
Programmable ranges	±10V, ±5V, ±2.5V, ±1.25V, 0 - 10V, 0 - 5V, 0 - 2.5V, 0 - 1.25V
A/D pacing	Programmable: external source (Din0, positive edge) or internal counter (positive or negative edge, jumper selectable) or software polled
Burstmode	13.3µs
Data transfer	From 512 sample FIFO via interrupt, DMA, DT-Connect to external memory board or software polled
Polarity	Unipolar/Bipolar, switch selectable
Number of channels	8 differential or 16 single-ended, switch selectable
Interrupts	2-7
Interrupt enable	Programmable
Interrupt sources	End-of-conversion, terminal count (DMA)
DMA	Channel 1 or 3
Trigger sources	External hardware/software (DIn0)
A/D conversion time	10µs
Throughput	100KHz
Differential Linearity error (Bipolar)	±1 LSB
Integral Linearity error (Bipolar)	±1.5 LSB
No missing codes guaranteed	16 bits
Gain drift	±7ppm/°C
Zero drift	±2ppm/°C
Input leakage current (@25 Deg C)	200nA
Input impedance	10Meg Ohms min
Absolute maximum input voltage	±35V

Analog Output:

Resolution	12 bits
Number of channels	2
D/A type	MX7548
Voltage Ranges	±10V, ±5V, 0-5V, 0-10V or user defined range between 0 and 10V. Each channel independently configurable by jumpers.
Offset error	Trimable to 0 by potentiometer
Gain error	Trimable to 0 by potentiometer
Differential nonlinearity	±1LSB max
Integral nonlinearity	±1LSB max
Monotonicity	Guaranteed monotonic
D/A pacing	Software paced
Data transfer	Double buffered software transfer, update on write to MSB register.
Throughput	System dependent, software paced.

Slew Rate 0.3V/ μ s

Current Drive (OP07) ± 5 mA min
Output short-circuit duration Indefinite
Output coupling DC
Output impedance 0.1 Ohms max

Miscellaneous Double buffered output latches

Digital Input / Output

Digital Type (Digital I/O connector) 82C55
Configuration 2 banks of 8, 2 banks of 4, programmable by bank as input or output
Number of channels 24 I/O
Output High 3.0 volts min @ -2.5mA
Output Low 0.4 volts max @ 2.5mA
Input High 2.0 volts min, 5.5 volts absolute max
Input Low 0.8 volts max, -0.5 volts absolute min

Digital Type (Main connector)

Output 74LS197
Input 74LS244
Configuration 4 fixed input, 4 fixed output

Number of channels 8
Output High 2.7 volts @ -0.4mA min
Output Low 0.5 volts @ 8mA max
Input High 2.0 volts min, 7 volts absolute max
Input Low 0.8 volts max, -0.5 volts absolute min

Counters section

Counter type 82C54
Configuration 3 down counters, 16 bits each
Counter 0 - Independent, user configurable
Source: Programmable - Internal 100kHz or external (CTR0 Clock In)
Gate: External (DIn2)
Output: Available at user connector (CTR0 Out)
Counter 1 - ADC Pacer Lower Divider
Source: 1 or 10 MHz oscillator (jumper selectable)
Gate: Tied to Counter 2 gate, programmable source.
Output: Chained to Counter 2 Clock.
Counter 2 - ADC Pacer Upper Divider
Source: Counter 1 Output.
Gate: Tied to Counter 1 gate, programmable source.
Output: ADC Pacer clock

Clock input frequency 10Mhz max
High pulse width (clock input) 30ns min
Low pulse width (clock input) 50ns min
Gate width high 50ns min
Gate width low 50ns min
Input low voltage 0.8V max
Input high voltage 2.0V min
Output low voltage 0.4V max
Output high voltage 3.0V min

Environmental

Operating temperature range 0 to 50°C
Storage temperature range -20 to 70°C
Humidity 0 to 90% non-condensing

EC Declaration of Conformity

CIO-DAS1600	ISA Bus, analog and digital I/O board
Part Number	Description

to which this declaration relates, meets the essential requirements, is in conformity with, and CE marking has been applied according to the relevant EC Directives listed below using the relevant section of the following EC standards and other normative documents:

EU EMC Directive 89/336/EEC: Essential requirements relating to electromagnetic compatibility.

EU 55022 Class B: Limits and methods of measurements of radio interference characteristics of information technology equipment.

EN 50082-1: EC generic immunity requirements.

IEC 801-2: Electrostatic discharge requirements for industrial process measurement and control equipment.

IEC 801-3: Radiated electromagnetic field requirements for industrial process measurements and control equipment.

IEC 801-4: Electrically fast transients for industrial process measurement and control equipment.

Carl Haapaoja, Director of Quality Assurance



Artisan Technology Group is your source for quality new and certified-used/pre-owned equipment

- FAST SHIPPING AND DELIVERY
- TENS OF THOUSANDS OF IN-STOCK ITEMS
- EQUIPMENT DEMOS
- HUNDREDS OF MANUFACTURERS SUPPORTED
- LEASING/MONTHLY RENTALS
- ITAR CERTIFIED SECURE ASSET SOLUTIONS

SERVICE CENTER REPAIRS

Experienced engineers and technicians on staff at our full-service, in-house repair center

*InstraView*SM REMOTE INSPECTION

Remotely inspect equipment before purchasing with our interactive website at www.instraview.com ↗

WE BUY USED EQUIPMENT

Sell your excess, underutilized, and idle used equipment. We also offer credit for buy-backs and trade-ins. www.artisanng.com/WeBuyEquipment ↗

LOOKING FOR MORE INFORMATION?

Visit us on the web at www.artisanng.com ↗ for more information on price quotations, drivers, technical specifications, manuals, and documentation

Contact us: (888) 88-SOURCE | sales@artisanng.com | www.artisanng.com