



Artisan Technology Group is your source for quality new and certified-used/pre-owned equipment

- FAST SHIPPING AND DELIVERY
- TENS OF THOUSANDS OF IN-STOCK ITEMS
- EQUIPMENT DEMOS
- HUNDREDS OF MANUFACTURERS SUPPORTED
- LEASING/MONTHLY RENTALS
- ITAR CERTIFIED SECURE ASSET SOLUTIONS

SERVICE CENTER REPAIRS

Experienced engineers and technicians on staff at our full-service, in-house repair center

*InstraView*SM REMOTE INSPECTION

Remotely inspect equipment before purchasing with our interactive website at www.instraview.com ↗

WE BUY USED EQUIPMENT

Sell your excess, underutilized, and idle used equipment. We also offer credit for buy-backs and trade-ins. www.artisanng.com/WeBuyEquipment ↗

LOOKING FOR MORE INFORMATION?

Visit us on the web at www.artisanng.com ↗ for more information on price quotations, drivers, technical specifications, manuals, and documentation

Contact us: (888) 88-SOURCE | sales@artisanng.com | www.artisanng.com

Strain, Process & Temperature Meters with Optional Relays and Analog Output

MONOGRAM[®] SERIES

DP25B Series



\$245
Basic Unit



Inputs

- ✓ Thermocouple
- ✓ RTD
- ✓ Process (dc Voltage and Current)
- ✓ Strain Gage

Options

- ✓ Relay Output with Adjustable Deadband
- ✓ Isolated or Non-Isolated Analog Output
- ✓ Totally Programmable Color Display
- ✓ Low Voltage Power Options

Panel Meters/Controllers

The unparalleled accuracy of the OMEGA[®] DP25B signal conditioner is available in an economical series of panel meters/controllers. The OMEGA[®] DP25B series of meter/controllers feature a four-digit, 9-segment display plus optional dual 6 amp SPDT relays (Single Pole Double Throw; Form C) and a choice of isolated or non-isolated analog output. The scalable 0-10 Vdc, 0-20 mA, or 4-20 mA analog output can be used for retransmission of the display value or as a proportional control output, as required. The microprocessor-based DP25B series includes instruments for process (dc voltage and current) strain gage, thermocouple, and RTD.

Common Specifications

Display: 4-digit, 9-segment, 21 mm (0.83")
 Red, Amber or Green LED (programmable)
Analog-to-Digital Technique: Dual slope
Internal Resolution: 15-bit
Polarity: Automatic
Read Rate: 3/sec
Step Response: 2 seconds
Power: 115 Vac, 230 Vac, 10-32 Vdc, 26-56 Vdc;
 6 Watts
Operating Temperature: 0 to 60°C (32 to 140°F)
Storage Temperature: -40 to 85°C (-40 to 185°F)
Relative Humidity: 90% @ 40°C (104°F)
 (non-condensing)
Dimensions: 48 H x 96 W x 152 mm D
 (1.89 x 3.78 x 6.0") x 7.0 for DP25
Panel Cutout: 45 x 92 mm (1.772 x 3.622")
Weight: 36 g (1.27 lb)

U.S. and International Patents.
Used Under License.

Thermocouple and RTD Models

The DP25B Series for thermocouple and RTD inputs is a versatile panel meter and limit alarm in one easily programmable instrument. The DP25B-TC is selectable for J, K, T, or J DIN thermocouples. The DP25B-RTD accepts 100 Ω PT (0.00385 curve) RTD's.

DP25B-TC (Thermocouple)

Input Type	Range		Accuracy
J	-210 to 760°C	-346 to 1400°F	0.5°C (0.9°F)
K	-270 to 1372°C	-454 to 2500°F	
T	-210 to 400°C	-346 to 752°F	
J DIN	-200 to 900°C	-328 to 1652°F	

Thermocouple Meter Specifications

Input: Thermocouples types, J, K, T, and J DIN
Outputs: 2 Form C (SPDT) relays, rated 6 Amp 250 Vac; programmable for active high/low alarms with latching/non-latching relays.
Relay Hysteresis: Programmable from 0 to 9999
Accuracy: ±0.50°C (0.9°F) after 30 min. warm-up
Temperature Coefficient: ±50 PPM/°C
Read Rate: 3/sec
Step Response: 2 seconds
Power: 115 Vac, 230 Vac, 10-32 Vdc, 26-56 Vdc;
 6 Watts; 240 V RMS overvoltage protection
Isolation: 1500 V peak per Hv test; 354 V peak per IEC spacing
NMR: 60 dB
CMR: 120 dB
Input Resistance: 100 MΩ
Operating Temperature: 0 to 60°C (32 to 140°F)
Storage Temperature: -40 to 85°C (-40 to 185°F)
Analog Output: Scalable



DP25B-TC: Programmed for Green Display

Process and Strain Models

The DP25B-E process and strain meters accept a wide range of dc voltage and current inputs to cover any typical process application. They feature easy front panel scaling to virtually any engineering units, selectable excitation of four voltages to work with most transducers and transmitters, front panel and remote tare function for weighing applications, and a hardware lockout to prevent unauthorized changes in set-up.

DP25B-RTD (RTD)

Input Type	Range	Accuracy
RTD, 100 Ω Pt, 2, 3, 4-wire	-200 to 850°C (-328 to 1562°F)	0.5°C (0.9°F)

RTD Temperature Meter / Controller Specifications

Input: RTD 100 Ω Pt (0.00385 curves) 2-, 3- and 4-wire selectable
Outputs: 2 Form C (SPDT) relays, rated 6 Amp 250 Vac; programmable for active high/low alarms with latching/non-latching relays.
Relay Hysteresis: Programmable from 0 to 9999.
Accuracy: ±0.50°C (0.9°F) after 30 min. warm-up
Temperature Coefficient: ±50 PPM/°C
Read Rate: 3/sec
Step Response: 2 seconds
Power: 115 Vac, 230 Vac, 10-32 Vdc, 26-56 Vdc; 6 Watts; 240 V RMS overvoltage protection
Isolation: 1500 V peak per Hv test; 354 V peak per IEC spacing
NMR: 60 dB
CMR: 120 dB
Input Resistance: 100 MΩ
Operating Temperature: 0 to 60°C (32 to 140°F)
Storage Temperature: -40 to 85°C (-40 to 185°F)
Analog Output: Scalable 0-10 Vdc or 4-20 mA; optional
Dimensions: 48 H x 96 W x 152 mm D (1.89 x 3.78 x 6.0")
Panel Cutout: 45 x 92 mm (1.772 x 3.622")

DP25B-E (Process) / DP25B-S (Strain)

Input Type	Range	Accuracy
mV, V, mA	0-100 mV, ±50 mV, 0-10 V ±5 V, 0-20 mA, 4-20 mA	0.02% R _{dg}

Process & Strain Meters / Controllers Specifications

Input Ranges: 0-100 mV, ±50 mV, 0-10 V, ±5 V, 0-20 mA, 4-20 mA
Isolation: 354 V peak per IEC spacing
NMR: 60 dB
CMR: 120 dB
Protection: 240 V rms max for voltage input ranges; 200 mA for current ranges
Input Impedance: 100 MΩ for 100 mV or ±50 mV range; 1 MΩ for 10 V or ±5 V range; 5 Ω for 20 mA current input
Display: 4-digit ,9-segment, 21 mm (0.83") height
Analog-to-digital technique: Dual slope
Internal resolution: 15-bit
Read rate: 3/sec
Polarity: Automatic
Max error strain/process: ±0.03% rdg
Span tempco: ±50 ppm/°C
Step response: 1-2 sec
Warmup to rated accuracy: 30 min
Analog output (optional): 0-10 V, 4-20 mA or 0-20 mA; can be assigned to a display range or proportional control output with setpoint #1 when used as a control output
Excitation voltage: 24 V @ 25 mA or 12 V @ 50 mA; 10 V @ 120 mA or 5 V @ 60 mA

Select Your Color!

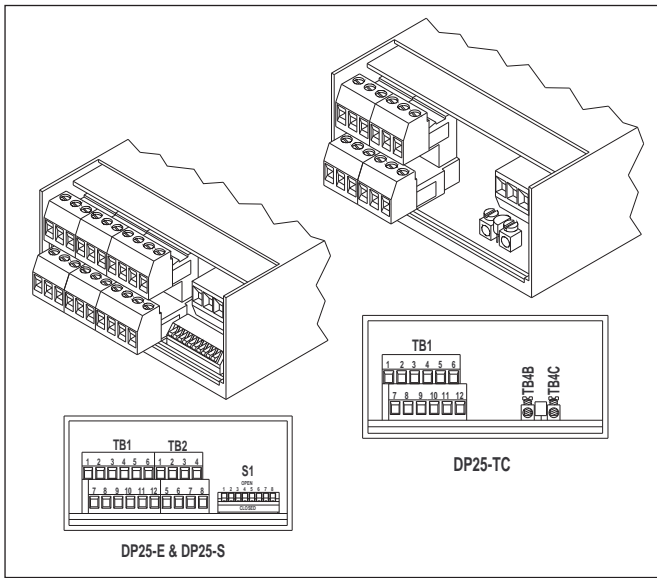


Program to display in red, amber or green.

Totally Programmable Color Displays

The OMEGA® DP25B Series meters and controllers have totally programmable color displays. The display can be programmed for red, amber or green.





CUSTOM CONFIGURATIONS

Custom firmware and hardware available in quantity

CUSTOM COLORS

Custom color bezels and enclosures are available for Original Equipment Manufacturers. Enhance the appearance of your equipment design with custom colors.

Consult the **OMEGA® OEM GROUP**



CE The following LVD (Low Voltage Directive/Safety) requirements have been met to comply with EN 61010-1, 1993 (Electrical equipment for measurement, control and laboratory use)

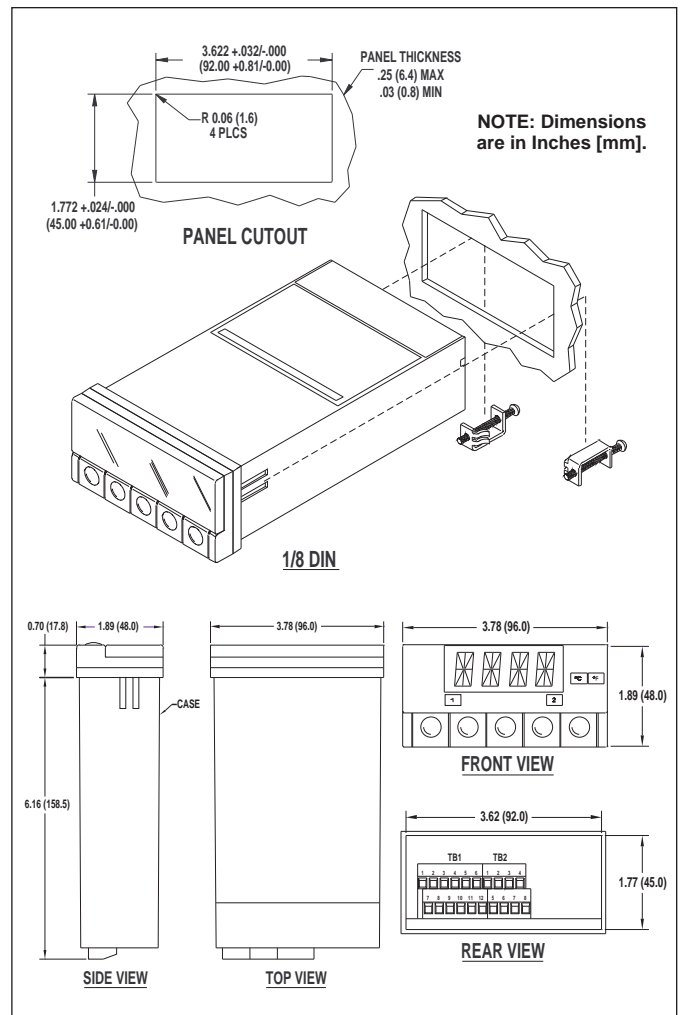
1. Pollution Degree 2 2. Installation Category II 3. Double Insulation

DP25/DP26/PHCN-37/ORCN-37/OPCN-37 complies with the following EMC Immunity Standards as tested per EN 50082-2, 1995 (Industrial environment)

Phenomena	Test Specification	Basic Standard
Electrostatic Discharge	+/- 4 kV contact discharge +/- 8 kV air discharge	IEC 1000-4-2 Perf. Criteria B
Radio Frequency electromagnetic field	27 - 1000 MHz 10 V/m 80% AM (1 KHz)	IEC 1000-4-3 Perf. Criteria A
Fast Transients	+/- 2 kV (ac mains) +/- 1 kV (dc, signal I/O) 5/50 ns Tr/Th, 5 KHz repit. Freq.	IEC 1000-4-4 Perf. Criteria B
Radio Frequency conducted	0.15 - 80 MHz 10 V/m 80% AM (1 KHz)	IEC 1000-4-6 Perf. Criteria A
Surges	+/- 2 kV line to earth +/- 1 kV line to line 1.2/50 (8/20) s Tr/Th	IEC 1000-4-5 Perf. Criteria B
Voltage Dips	30% reduction 10 ms 60% reduction 100 ms	IEC 1000-4-11 Perf. Criteria B
Voltage Interruption	>95% reduction 5000 ms Perf. Criteria C	IEC 1000-4-11

DP25/DP26/PHCN-37/ORCN-37/OPCN-37 complies with the following EMC Emission Standards as tested per EN 50081-1, 1997 (Residential, Commercial and Light Industrial)

Phenomena	Frequency Range	Limits	Basic Standard
Radiated Emission	30 - 230 MHz 230 - 1000 MHz	30 dB_V/m at 10 m 37 dB_V/m at 10 m quasi peak	CISPR 22 Class B
Conducted Emission	0.15-0.5 MHz 0.5-5 MHz 5-30 MHz	66-56 dB_V q, peak 56 dB_V quasi peak 60 db_V quasi peak	CISPR 22 Class B



To Order (Specify Model No.)

Basic Model	Description	Price
DP25B-TC	Thermocouple	\$245
DP25B-RTD	RTD	245
DP25B-E	Process (dc voltage and current)	245
DP25B-S	Strain input	245

Output Options*

Order Suffix	Add'l Price	Power
-A	\$80	Analog output
-AI	90	Isolated analog output
-R	70	Dual 6 A relays

Power Options*

Order Suffix	Add'l Price	Power
-230	N/C	230 Vac
-DC10/32	\$95	10 to 32 Vdc
-DC26/56	120	26 to 56 Vdc

*Not field installable
All units come complete with a operator's manual.
Ordering Example: DP25B-TC-DC10/32-AR, thermocouple indicator for J, K, T or J DIN input, low voltage power, analog output and dual 6 A relays, \$245 + 95 + 80 + 70 = \$490



UNITED KINGDOM
www.omega.co.uk
 Manchester, England
 0800-488-488

UNITED STATES
www.omega.com
 C-OMEGA
 Torrington, CT.

FRANCE
www.omega.fr
 Guyancourt, France
 088-466-342

CANADA
www.omega.ca
 (Montreal, Quebec)
 C-OMEGA

CZECH REPUBLIC
www.omegaeng.cz
 Karviná, Czech Republic
 596-311-899

GERMANY
www.omega.de
 Amstelveen, Germany
 0266342

BENELUX
www.omega.nl
 Amstelveen, NL
 0800-099-33-44



More than 100,000 Products Available!

Temperature

Processors, Connectors, General Test and Measurement Instruments, Glass Bulb Thermometers, Handheld Instruments, Temperature Measurement, Ice Point References, Labels, Crayons, Cements and Lacquers, Infrared Radiation Measurement Instruments, Recorders Relative Humidity Measurement Instruments, RTD Probes, Elements and Assemblies, Temperature & Process Meters, Timers and Controllers, Temperature and Process Controllers and Power Supplies, Thermistor Elements, Probes and Transmitters, Thermocouples Thermowells and Head and Well Transmitters, Wire

Flow and Level

Flow Indicators, Doppler Flowmeters, Level Indicators, Magnetic Flowmeters, Mass Flowmeters, Rotameters, Pumps, Rotameters, Turbine and Paddle Wheel Flowmeters, Ultrasonic Flowmeters, Valves, Variable Area Flowmeters, Vortex Shedding Flowmeters

Humidity and Conductivity

Humidity Instrumentation, Dissolved Oxygen Instrumentation, Environmental Instrumentation, pH Instrumentation and Instruments, Water and Soil Analysis Instrumentation

• Data Acquisition

Auto-Dialers and Alarm Monitoring Systems, Communication Products and Converters, Data Acquisition and Analysis Software, Data Loggers Plug-in Cards, Signal Conditioners, USB, RS232, RS485 and Parallel Port Data Acquisition Systems, Wireless Transmitters and Receivers

• Pressure, Strain and Force

Displacement Transducers, Dynamic Measurement Force Sensors, Instrumentation for Pressure and Strain Measurements, Load Cells, Pressure Gauges, Pressure Reference Section, Pressure Switches, Pressure Transducers, Proximity Transducers, Regulators, Strain Gages, Torque Transducers, Valves

• Heaters

Band Heaters, Cartridge Heaters, Circulation Heaters, Comfort Heaters, Controllers, Meters and Switching Devices, Flexible Heaters, General Test and Measurement Instruments, Heater Hook-up Wire, Heating Cable Systems, Immersion Heaters, Process Air and Duct Heaters, Radiant Heaters, Strip Heaters, Tubular Heaters

• [click here to go to the omega.com home page](http://www.omega.com) •



Artisan Technology Group is your source for quality new and certified-used/pre-owned equipment

- FAST SHIPPING AND DELIVERY
- TENS OF THOUSANDS OF IN-STOCK ITEMS
- EQUIPMENT DEMOS
- HUNDREDS OF MANUFACTURERS SUPPORTED
- LEASING/MONTHLY RENTALS
- ITAR CERTIFIED SECURE ASSET SOLUTIONS

SERVICE CENTER REPAIRS

Experienced engineers and technicians on staff at our full-service, in-house repair center

*InstraView*SM REMOTE INSPECTION

Remotely inspect equipment before purchasing with our interactive website at www.instraview.com ↗

WE BUY USED EQUIPMENT

Sell your excess, underutilized, and idle used equipment. We also offer credit for buy-backs and trade-ins. www.artisanng.com/WeBuyEquipment ↗

LOOKING FOR MORE INFORMATION?

Visit us on the web at www.artisanng.com ↗ for more information on price quotations, drivers, technical specifications, manuals, and documentation

Contact us: (888) 88-SOURCE | sales@artisanng.com | www.artisanng.com