



Artisan Technology Group is your source for quality new and certified-used/pre-owned equipment

- FAST SHIPPING AND DELIVERY
- TENS OF THOUSANDS OF IN-STOCK ITEMS
- EQUIPMENT DEMOS
- HUNDREDS OF MANUFACTURERS SUPPORTED
- LEASING/MONTHLY RENTALS
- ITAR CERTIFIED SECURE ASSET SOLUTIONS

SERVICE CENTER REPAIRS

Experienced engineers and technicians on staff at our full-service, in-house repair center

*InstraView*SM REMOTE INSPECTION

Remotely inspect equipment before purchasing with our interactive website at www.instraview.com ↗

WE BUY USED EQUIPMENT

Sell your excess, underutilized, and idle used equipment. We also offer credit for buy-backs and trade-ins. www.artisanng.com/WeBuyEquipment ↗

LOOKING FOR MORE INFORMATION?

Visit us on the web at www.artisanng.com ↗ for more information on price quotations, drivers, technical specifications, manuals, and documentation

Contact us: (888) 88-SOURCE | sales@artisanng.com | www.artisanng.com

ECONOMICAL, OEM-STYLE SINGLE-POINT LOAD CELLS

LCAE Series
Single Point
0-0.6 kg to 0-200 kg
0-1.3 lb to 0-440 lb

Starts at
\$136

- ✓ **Single-Point Load Cell Simplifies Scale Design and Reduces Cost**
- ✓ **Moisture Resistant for Use in Damp Environments**
- ✓ **Aluminum Construction**
- ✓ **Available in Ranges from 600 g to 200 kg**

OMEGA's LCAE Series consists of low-cost, highly accurate, single-point load cells, ideal for OEM applications such as electronic scales and weighing machines. The single-point design is highly resistant to eccentric loading, allowing direct mounting to the scale base and weighing platform. The LCAE Series features a moisture-proof sealant and is available in ranges from 600 g to 200 kg.

SPECIFICATIONS

Full Scale Output (User Must Calibrate to Eliminate 10% Tolerance): 2 mV/V \pm 10% (1 mV/V \pm 10% <6 kg)

Excitation: 10 Vdc (15 Vdc max)

Non-Linearity: \pm 0.015% FS (0.02% <6 kg)

Hysteresis: \pm 0.015% FS (0.02% <6 kg)

Non-Repeatability: \pm 0.02% FS

Zero Balance: \pm 5% FS

Creep/Creep Recovery: 0.02% FS

Operating Temperature: -10 to 50°C (14 to 122°F)

Compensated Temperature: -10 to 50°C (14 to 122°F)



LCAE-10KG, \$151, shown smaller than actual size. Dimensions on following page.

Temp Effect:

Zero: \pm 0.0022% FS/°F

Span: \pm 0.0007% rdg/°F

Bridge Resistance: 350 Ω

Safe Overload: 150% rated capacity (300% <6 kg)

Ultimate Overload: 200% rated capacity (400% <6 kg)

Construction: Aluminum

Cable: 0.6 m (26") 4-conductor cable

MOST POPULAR MODELS HIGHLIGHTED!

To Order (Specify Model Number)

CAPACITY		MODEL NO.	PRICE	DIM.	COMPATIBLE METERS*
lb	kg				
1.3	0.6	LCAE-600G	\$136	Figure 1	DP25B-S, DP41-S, DP87
2.2	1	LCAE-1KG	136	Figure 1	DP25B-S, DP41-S, DP87
4.4	2	LCAE-2KG	136	Figure 1	DP25B-S, DP41-S, DP87
6.6	3	LCAE-3KG	136	Figure 1	DP25B-S, DP41-S, DP87
13	6	LCAE-6KG	151	Figure 2	DP25B-S, DP41-S, DP87
22	10	LCAE-10KG	151	Figure 2	DP25B-S, DP41-S, DP87
26	12	LCAE-12KG	151	Figure 2	DP25B-S, DP41-S, DP87
33	15	LCAE-15KG	151	Figure 2	DP25B-S, DP41-S, DP87
44	20	LCAE-20KG	151	Figure 2	DP25B-S, DP41-S, DP87
55	25	LCAE-25KG	183	Figure 2	DP25B-S, DP41-S, DP87
66	30	LCAE-30KG	183	Figure 2	DP25B-S, DP41-S, DP87
77	35	LCAE-35KG	183	Figure 2	DP25B-S, DP41-S, DP87
99	45	LCAE-45KG	226	Figure 3	DP25B-S, DP41-S, DP87
132	60	LCAE-60KG	226	Figure 3	DP25B-S, DP41-S, DP87
220	100	LCAE-100KG	226	Figure 3	DP25B-S, DP41-S, DP87
440	200	LCAE-200KG	226	Figure 4	DP25B-S, DP41-S, DP87

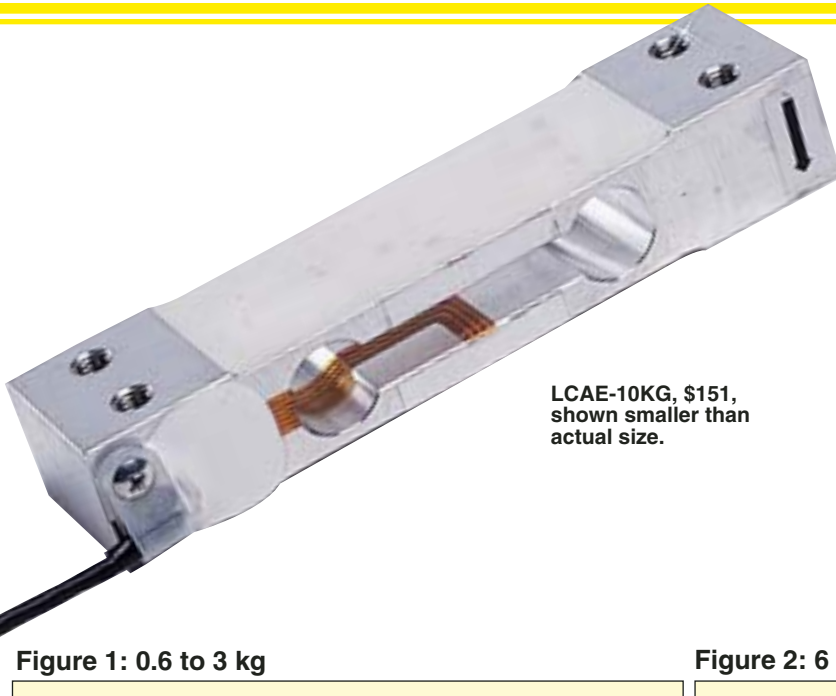
* See section D for compatible meters.

Ordering Example: LCAE-100KG, single-point load cell with 100 kilogram capacity, \$226.

ACCESSORY

MODEL NO.	PRICE	DESCRIPTION
OP-17	\$15	Reference Book: Measure for Measure

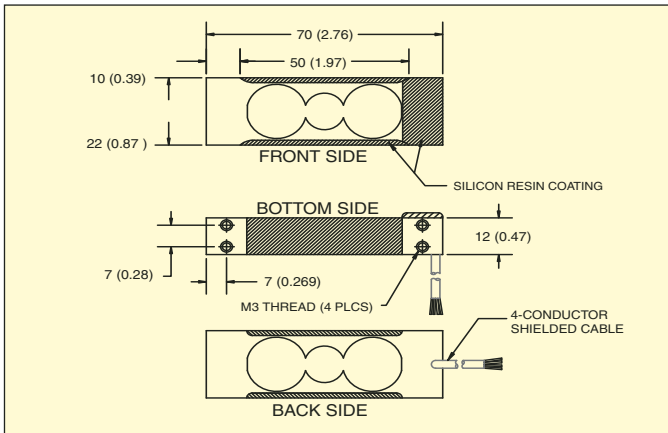
DIMENSIONS FOR LCAE SERIES



LCAE-10KG, \$151, shown smaller than actual size.

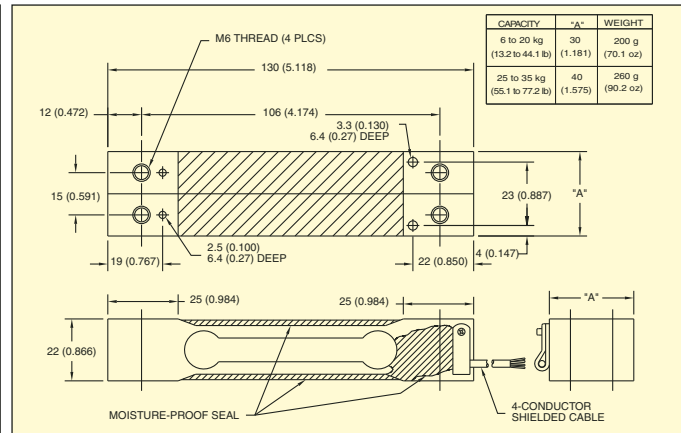
CAPACITY kg (lb)	WEIGHT g (oz)	MAXIMUM PLATFORM SIZE mm (in)
0.6 to 3 (1.32 to 6.61)	36 (1.3)	200 x 200 (7.8 x 7.8)
6 to 20 (13.2 to 44.1)	201 (7.1)	300 x 300 (11.8 x 11.8)
25 to 35 (55.1 to 77.2)	261 (9.2)	300 x 300 (11.8 x 11.8)
45 to 100 (99.2 to 221)	320 (11.3)	400 x 400 (15.7 x 15.7)
200 (441)	454 (16)	400 x 400 (15.7 x 15.7)

Figure 1: 0.6 to 3 kg



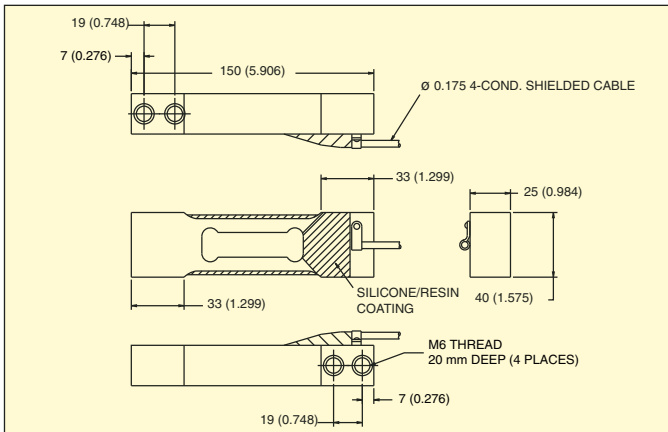
Dimensions: mm (in)

Figure 2: 6 to 35 kg



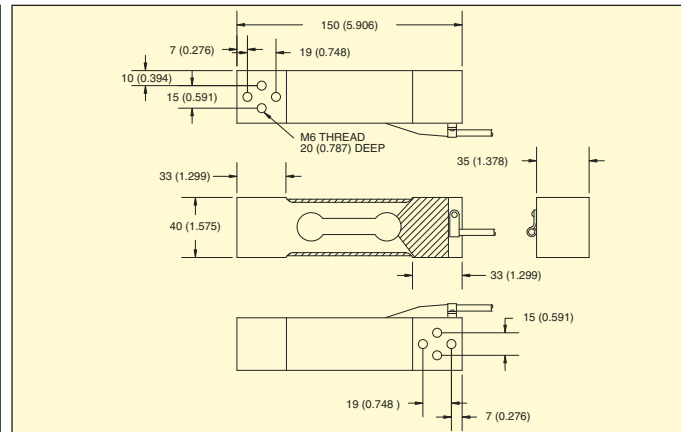
Dimensions: mm (in)

Figure 3: 45 to 100 kg



Dimensions: mm (in)

Figure 4: 200 kg



Dimensions: mm (in)



UNITED KINGDOM
www.omega.co.uk
 Manchester, England
 0800-488-488

UNITED STATES
www.omega.com
 C-OMEGA
 Torrington, CT.

FRANCE
www.omega.fr
 Guyancourt, France
 088-466-342

CANADA
www.omega.ca
 (Montreal, Quebec)
 C-OMEGA

CZECH REPUBLIC
www.omegaeng.cz
 Karviná, Czech Republic
 596-311-899

GERMANY
www.omega.de
 Amstelveen, Germany
 02666342

BENELUX
www.omega.nl
 Amstelveen, NL
 0800-099-33-44



More than 100,000 Products Available!

Temperature

Processors, Connectors, General Test and Measurement Instruments, Glass Bulb Thermometers, Handheld Instruments, Temperature Measurement, Ice Point References, Labels, Crayons, Cements and Lacquers, Infrared Radiation Measurement Instruments, Recorders, Relative Humidity Measurement Instruments, RTD Probes, Elements and Assemblies, Temperature & Process Meters, Timers and Controllers, Temperature and Process Controllers and Power Supplies, Devices, Thermistor Elements, Probes and Transmitters, Thermocouples, Thermowells and Head and Well Transmitters, Wire

Flow and Level

Flow Indicators, Doppler Flowmeters, Level Indicators, Magnetic Flowmeters, Mass Flowmeters, Rotameters, Pumps, Rotameters, Turbine and Paddle Wheel Flowmeters, Ultrasonic Flowmeters, Valves, Variable Area Flowmeters, Vortex Shedding Flowmeters

Humidity and Conductivity

Humidity Instrumentation, Dissolved Oxygen Instrumentation, Environmental Instrumentation, pH Instrumentation and Instruments, Water and Soil Analysis Instrumentation

• Data Acquisition

Auto-Dialers and Alarm Monitoring Systems, Communication Products and Converters, Data Acquisition and Analysis Software, Data Loggers, Plug-in Cards, Signal Conditioners, USB, RS232, RS485 and Parallel Port Data Acquisition Systems, Wireless Transmitters and Receivers

• Pressure, Strain and Force

Displacement Transducers, Dynamic Measurement Force Sensors, Instrumentation for Pressure and Strain Measurements, Load Cells, Pressure Gauges, Pressure Reference Section, Pressure Switches, Pressure Transducers, Proximity Transducers, Regulators, Strain Gages, Torque Transducers, Valves

• Heaters

Band Heaters, Cartridge Heaters, Circulation Heaters, Comfort Heaters, Controllers, Meters and Switching Devices, Flexible Heaters, General Test and Measurement Instruments, Heater Hook-up Wire, Heating Cable Systems, Immersion Heaters, Process Air and Duct Heaters, Radiant Heaters, Strip Heaters, Tubular Heaters



Artisan Technology Group is your source for quality new and certified-used/pre-owned equipment

- FAST SHIPPING AND DELIVERY
- TENS OF THOUSANDS OF IN-STOCK ITEMS
- EQUIPMENT DEMOS
- HUNDREDS OF MANUFACTURERS SUPPORTED
- LEASING/MONTHLY RENTALS
- ITAR CERTIFIED SECURE ASSET SOLUTIONS

SERVICE CENTER REPAIRS

Experienced engineers and technicians on staff at our full-service, in-house repair center

*InstraView*SM REMOTE INSPECTION

Remotely inspect equipment before purchasing with our interactive website at www.instraview.com ↗

WE BUY USED EQUIPMENT

Sell your excess, underutilized, and idle used equipment. We also offer credit for buy-backs and trade-ins. www.artisanng.com/WeBuyEquipment ↗

LOOKING FOR MORE INFORMATION?

Visit us on the web at www.artisanng.com ↗ for more information on price quotations, drivers, technical specifications, manuals, and documentation

Contact us: (888) 88-SOURCE | sales@artisanng.com | www.artisanng.com