



Artisan Technology Group is your source for quality new and certified-used/pre-owned equipment

- FAST SHIPPING AND DELIVERY
- TENS OF THOUSANDS OF IN-STOCK ITEMS
- EQUIPMENT DEMOS
- HUNDREDS OF MANUFACTURERS SUPPORTED
- LEASING/MONTHLY RENTALS
- ITAR CERTIFIED SECURE ASSET SOLUTIONS

SERVICE CENTER REPAIRS

Experienced engineers and technicians on staff at our full-service, in-house repair center

*InstraView*SM REMOTE INSPECTION

Remotely inspect equipment before purchasing with our interactive website at www.instraview.com ↗

WE BUY USED EQUIPMENT

Sell your excess, underutilized, and idle used equipment. We also offer credit for buy-backs and trade-ins. www.artisanng.com/WeBuyEquipment ↗

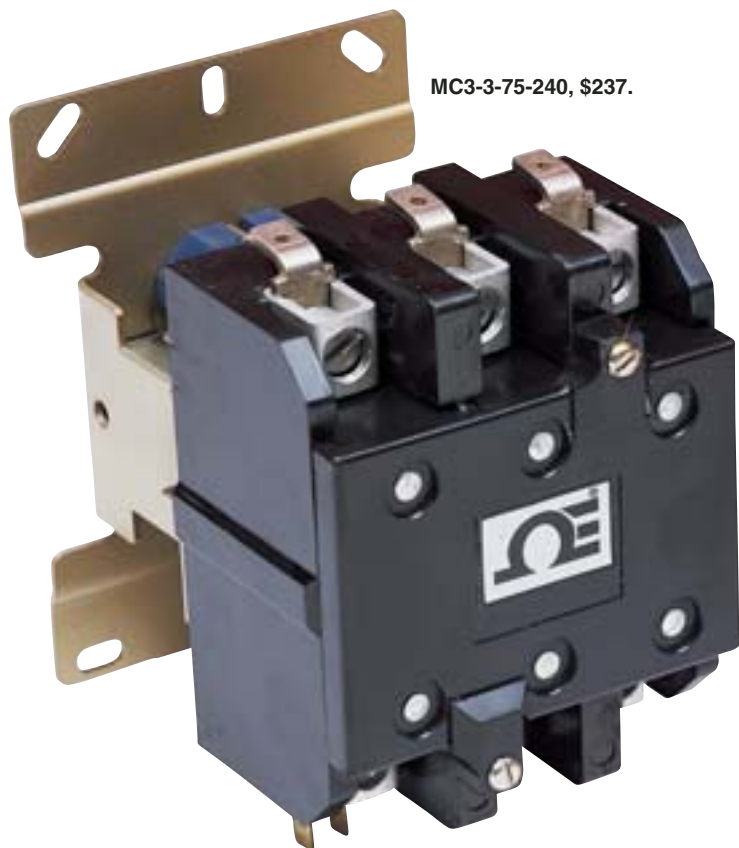
LOOKING FOR MORE INFORMATION?

Visit us on the web at www.artisanng.com ↗ for more information on price quotations, drivers, technical specifications, manuals, and documentation

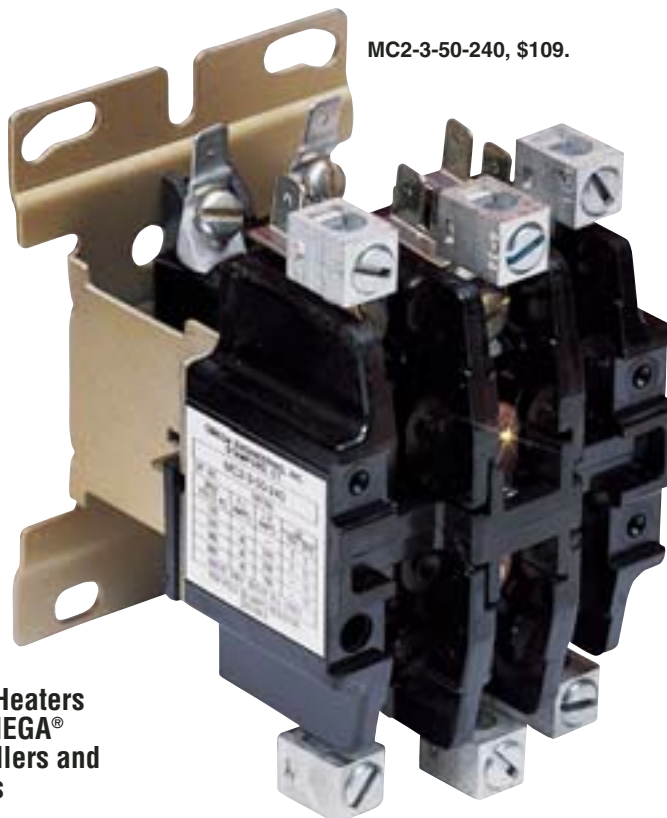
Contact us: (888) 88-SOURCE | sales@artisanng.com | www.artisanng.com

MAGNETIC CONTACTORS

SPECIAL PURPOSE CONTACTORS FOR HIGH-POWER TEMPERATURE CONTROL



Shown slightly smaller than actual size.



MC Series Starts at \$47



Control Resistance Heaters up to 75 A Using OMEGA® Temperature Controllers and Magnetic Contactors

- Long Life—Over 500,000 Operations
- 30 to 75 A
- Heavy-Duty Construction
- Easy Mounting
- 600 Vac Contacts

Applications Rating Guide

Model Number	MC1-2-30-120 MC1-2-30-240	MC2-2-40-120 MC2-2-40-240	MC2-3-40-120 MC2-3-40-240	MC2-3-50-240	MC3-3-75-240
Non-Inductive Amps	30	40	40	50	75
Full Load Amps	20	30	30	40	60
Locked Rotor Amps @ 240 V	120	180	180	240	360
@ 480 V	100	150	150	200	300
@ 600 V	80	120	120	160	240
Number of Poles	2	2	2	3	3
Wire Size (AWG)	16 to 8	16 to 8	16 to 8	14 to 6	14 to 2

Note:

1) Contacts are rated to 600 Vac.

2) Poles cannot be used in parallel to increase current rating.

3) Relays do not provide overload protection from motors.

4) Relays must be mounted vertically.

Mechanical Contactors for Temperature Control

OMEGA® mechanical contactors are designed to be used independently with 120 and 240 Vac control signals or with any of the OMEGA® temperature controllers. OMEGA® special purpose contactors provide the process industry with exceptionally reliable control for heating and cooling applications. Long electromechanical life is assured by extra electrical capacity and short stroke magnet design. Silver-cadmium oxide contacts have superior weld resistant characteristics, high conductivity and high resistance to arc erosion. The specially designed contact spacing gives arc over protection up to 600 Vac.

Installation is simplified because terminal and mounting screws are accessible from the same direction. Contactors are designed to be mounted vertically either exposed, in existing equipment, or individually using NEMA 1 (IP10) enclosures (Model EN-MC2).



EN-MC2 relay enclosure, \$53, shown smaller than actual size.

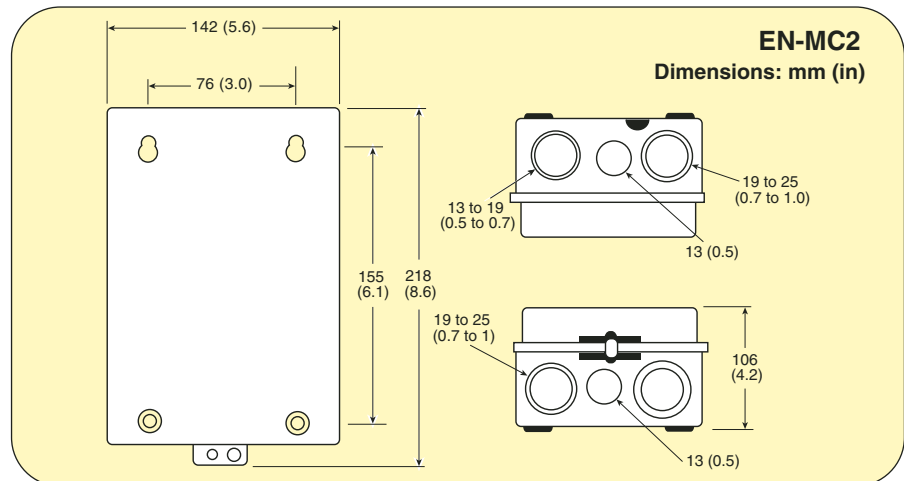
SPECIFICATIONS

Mounting Holes: Keyhole slots and regular holes are embossed to facilitate mounting on uneven wall surfaces

Knockouts: NEMA 1 (IP10) enclosures have ample knockouts for wiring

General: Enclosures are drawn steel with a baked gray acrylic lifetime finish

Note: The enclosures are not water or dust tight. They are intended for indoor use only. Fits MC2 style contactors.



How To Order

Select:

1. Style
2. Determine No. of Poles
3. Full Load Amps
4. Coil Voltage

MC [1]-[2]-[3]-[4]

Style

No. of Poles

Full Load Amps

Coil Voltage

To Order (Specify Model Number)

MOST POPULAR MODELS HIGHLIGHTED!

MODEL NO.	PRICE	DESCRIPTION
MC1-2-30-120	\$47	120 Vac coil, 30 Amp, 2-pole magnetic contactor
MC1-2-30-240	47	240 Vac coil, 30 Amp, 2-pole magnetic contactor
MC2-2-40-120	88	120 Vac coil, 40 Amp, 2-pole magnetic contactor
MC2-2-40-240	88	240 Vac coil, 40 Amp, 2-pole magnetic contactor
MC2-3-40-120	99	120 Vac coil, 40 Amp, 3-pole magnetic contactor
MC2-3-40-240	99	240 Vac coil, 40 Amp, 3-pole magnetic contactor
MC2-3-50-240	109	240 Vac coil, 50 Amp, 3-pole magnetic contactor
MC3-3-75-240	237	240 Vac coil, 75 Amp, 3-pole magnetic contactor

Comes with operator's manual.

Ordering Example: MC2-2-40-120, 120 Vac coil, 40 Amp, 2-pole, magnetic contactor, \$88.



UNITED KINGDOM
www.omega.co.uk
 Manchester, England
 0800-488-488

UNITED STATES
www.omega.com
 C-OMEGA
 Torrington, CT.

FRANCE
www.omega.fr
 Guyancourt, France
 088-466-342

CANADA
www.omega.ca
 Quebec)
 C-OMEGA

CZECH REPUBLIC
www.omegaeng.cz
 Karviná, Czech Republic
 596-311-899

GERMANY
www.omega.de
 Amstelveen, NL
 0266342

BENELUX
www.omega.nl
 Amstelveen, NL
 0800-099-33-44



More than 100,000 Products Available!

Temperature

Processors, Connectors, General Test and Measurement Instruments, Glass Bulb Thermometers, Handheld Instruments, Temperature Measurement, Ice Point References, Labels, Crayons, Cements and Lacquers, Infrared Radiation Measurement Instruments, Recorders Relative Humidity Measurement Instruments, RTD Probes, Elements and Assemblies, Temperature & Process Meters, Timers and Controllers, Temperature and Process Controllers and Power Supplies, Devices, Thermistor Elements, Probes and Sensors, Thermocouples Thermowells and Head and Well Assemblies, Transmitters, Wire

Flow and Level

Flow Indicators, Doppler Flowmeters, Level Indicators, Magnetic Flowmeters, Mass Flowmeters, Coriolis Flowmeters, Pumps, Rotameters, Turbine and Paddle Wheel Flowmeters, Ultrasonic Flowmeters, Valves, Variable Area Flowmeters, Vortex Shedding Flowmeters

Humidity and Conductivity

Humidity Instrumentation, Dissolved Oxygen Instrumentation, Environmental Instrumentation, pH Instrumentation and Instruments, Water and Soil Analysis Instrumentation

• Data Acquisition

Auto-Dialers and Alarm Monitoring Systems, Communication Products and Converters, Data Acquisition and Analysis Software, Data Loggers, Plug-in Cards, Signal Conditioners, USB, RS232, RS485 and Parallel Port Data Acquisition Systems, Wireless Transmitters and Receivers

• Pressure, Strain and Force

Displacement Transducers, Dynamic Measurement Force Sensors, Instrumentation for Pressure and Strain Measurements, Load Cells, Pressure Gauges, Pressure Reference Section, Pressure Switches, Pressure Transducers, Proximity Transducers, Regulators, Strain Gages, Torque Transducers, Valves

• Heaters

Band Heaters, Cartridge Heaters, Circulation Heaters, Comfort Heaters, Controllers, Meters and Switching Devices, Flexible Heaters, General Test and Measurement Instruments, Heater Hook-up Wire, Heating Cable Systems, Immersion Heaters, Process Air and Duct Heaters, Radiant Heaters, Strip Heaters, Tubular Heaters

• [click here to go to the omega.com home page](http://www.omega.com) •



Artisan Technology Group is your source for quality new and certified-used/pre-owned equipment

- FAST SHIPPING AND DELIVERY
- TENS OF THOUSANDS OF IN-STOCK ITEMS
- EQUIPMENT DEMOS
- HUNDREDS OF MANUFACTURERS SUPPORTED
- LEASING/MONTHLY RENTALS
- ITAR CERTIFIED SECURE ASSET SOLUTIONS

SERVICE CENTER REPAIRS

Experienced engineers and technicians on staff at our full-service, in-house repair center

*InstraView*SM REMOTE INSPECTION

Remotely inspect equipment before purchasing with our interactive website at www.instraview.com ↗

WE BUY USED EQUIPMENT

Sell your excess, underutilized, and idle used equipment. We also offer credit for buy-backs and trade-ins. www.artisanng.com/WeBuyEquipment ↗

LOOKING FOR MORE INFORMATION?

Visit us on the web at www.artisanng.com ↗ for more information on price quotations, drivers, technical specifications, manuals, and documentation

Contact us: (888) 88-SOURCE | sales@artisanng.com | www.artisanng.com