



Artisan Technology Group is your source for quality new and certified-used/pre-owned equipment

- FAST SHIPPING AND DELIVERY
- TENS OF THOUSANDS OF IN-STOCK ITEMS
- EQUIPMENT DEMOS
- HUNDREDS OF MANUFACTURERS SUPPORTED
- LEASING/MONTHLY RENTALS
- ITAR CERTIFIED SECURE ASSET SOLUTIONS

SERVICE CENTER REPAIRS

Experienced engineers and technicians on staff at our full-service, in-house repair center

*InstraView*SM REMOTE INSPECTION

Remotely inspect equipment before purchasing with our interactive website at www.instraview.com ↗

WE BUY USED EQUIPMENT

Sell your excess, underutilized, and idle used equipment. We also offer credit for buy-backs and trade-ins. www.artisanng.com/WeBuyEquipment ↗

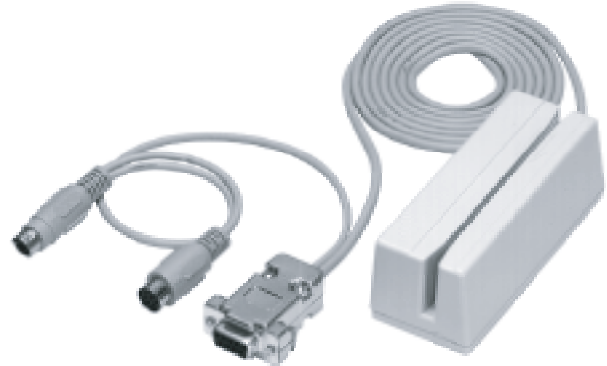
LOOKING FOR MORE INFORMATION?

Visit us on the web at www.artisanng.com ↗ for more information on price quotations, drivers, technical specifications, manuals, and documentation

Contact us: (888) 88-SOURCE | sales@artisanng.com | www.artisanng.com

Peripheral-type, Compact, Manually Operated Card Reader

- Connects to the PC RS-232C port just like any other peripheral
- Sits conveniently next to the PC keyboard
- Easy-to-operate protocol
- Wide range of configurations available
- No external power supply required



Ordering Information

| Magnetic tracks supported (R, R/W) | | | | | IC contact | Interface | Communication (See Note 1,2,3) | Cover | Cable | Color | Part Number |
|------------------------------------|---|---|--------|-------|------------|-----------|--------------------------------|-------|-------|-------|------------------|
| 1 | 2 | 3 | Center | JISII | | | | | | | |
| R | R | R | — | — | No | RS 232C | Unidirectional | Yes | Yes | Ivory | 3S4YR-HNFR1 |
| R | R | R | — | — | No | RS 232C | Bidirectional | Yes | Yes | Ivory | 3S4YR-HNFR1-002 |
| — | R | — | — | — | No | RS 232C | Unidirectional | Yes | Yes | Ivory | 3S4YR-HNFR4 |
| — | R | — | — | — | No | RS 232C | Bidirectional | Yes | Yes | Ivory | 3S4YR-HNFR4-002 |
| — | — | — | — | R | No | RS 232C | Unidirectional | Yes | Yes | Ivory | 3S4YR-HNFR2 |
| — | — | — | — | R | No | RS 232C | Bidirectional | Yes | Yes | Ivory | 3S4YR-HNFR2-002 |
| R | R | — | — | R | No | RS 232C | Unidirectional | Yes | Yes | Ivory | 3S4YR-HNFR26 |
| R | R | — | — | R | No | RS 232C | Bidirectional | Yes | Yes | Ivory | 3S4YR-HNFR26-002 |

- Note: 1. Communication protocol comes in two types: Unidirectional = response only, and Bidirectional = command/response
 2. For information regarding keyboard wedge interface models, contact your Omron representative.
 3. Bidirectional models derive power from the keyboard port, unidirectional models derive power directly from the RS -232 port.

■ TYPICAL APPLICATIONS

- POS Systems
- Credit Card Readers
- ID Card Checkers
- PC Peripherals

Specifications

| | | |
|------------------------|--|---|
| Part number | HNFR | |
| Recommended card type | ISO 7810, 7811-1 to -5, 7812 & 7813 | |
| Recording method | F2F | |
| Swipe direction | Reads in either direction | |
| Communication protocol | Unidirectional (response only) or Bidirectional (command/response) | |
| Card feedingspeed | 100 to 1,000 mm/sec. (200 to 1,000 mm/sec. for 3 track stripe card) | |
| Interface connector | D-sub 9-pin (female) Bidirectional units also have PS/2 connector (mini-din 6-pin) | |
| Mounting location | Indoors; away from rain, sunlight and dust | |
| Power supply | Unidirectional: powered from RS-232C port Bidirectional: powered from keyboard port | |
| Current consumption | Unidirectional, 12 mA dual track, 16 mA tripletrack | |
| Ambient temperature | Operation | 0 to 45°C (32 to 113°F) |
| | Storage | -15 to 60°C (5 to 140°F) |
| Ambient humidity | Operation | 30 to 85% RH, with no condensation and absolute air humidity of 23 g/m ³ or less |
| | Storage | 20 to 90% RH, with no condensation and absolute air humidity of 40 g/m ³ or less |
| Vibration endurance | 10 to 150 Hz, single vibration widthof 0.15 mm or an acceleration of 19.6 m/s ² (2 G) | |
| Shock endurance | 196 m/s ² (20 G) | |
| Cable length | 1500 mm (59.06) | |
| Dimensions | 100 L x 38.6 W x 35.2 H mm (3.94 L x 1.52 W x 1.39 H in) | |
| Weight | Approx. 185 g (6.53 oz) | |
| Service life | 300,000 passes minimum | |

I/O Information

■ INTERFACE CONNECTOR

D-Sub 9-pin (female). Bidirectional uses 6-pin mini-din (male and female)

■ INTERFACE METHOD

Conforms to EIA RS-232C

Transmission speed: 9600 bps

Communication method: Half-duplex

Synchronizing method: Start-stop synchronization

Data bit length: 8 bits

Error detection: Even parity

Stop bit: 1 bit

PIN ASSIGNMENT

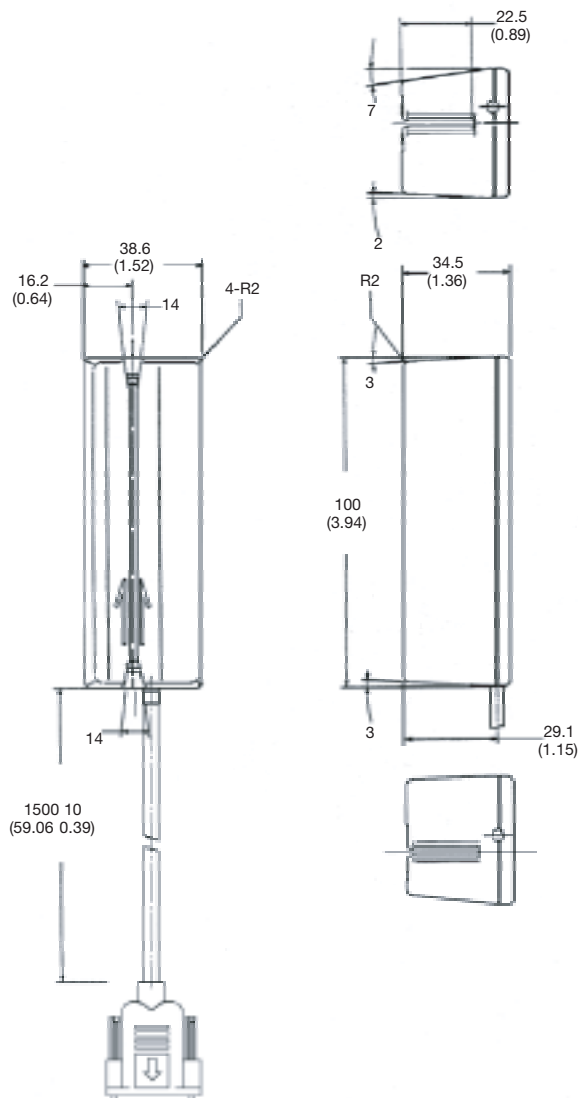
(View from PC side)

| Pin number | Signal | Description | Input/output |
|------------|----------|-------------------------------------|--------------|
| 1 | CF (DCD) | Loop-back of RTS | Input |
| 2 | BB (RXD) | Card data | Input |
| 3 | BA (TXD) | Command data (bidirectional models) | Output |
| 4 | CD (DTR) | Always ON at PC side | Output |
| 5 | AB (SG) | Signal ground | — |
| 6 | CC (DSR) | Data Set Ready | Input |
| 7 | CA (RTS) | Request to send | Output |
| 8 | CB (CTS) | Loop-back of RTS | Input |
| 9 | CE (RI) | Open | Input |
| Frame | AA (FG) | Frame ground | — |

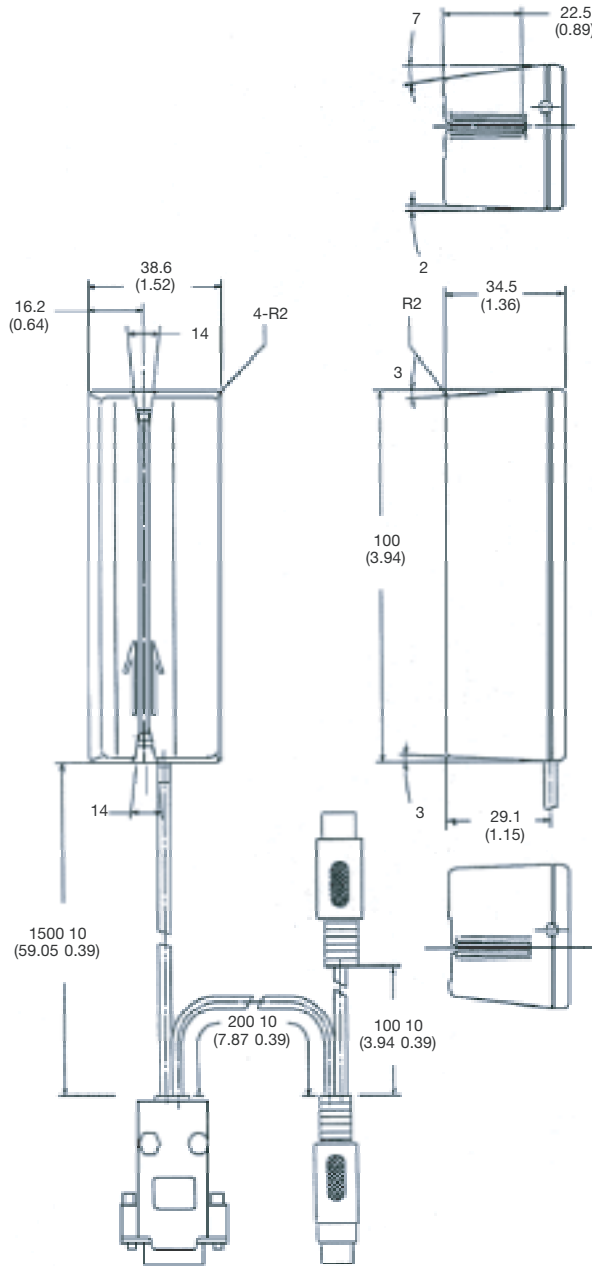
Dimensions

Unit: mm (inch)

HNFR-□



HNFR-□-002



OMRON®

Card Business Promotion Division
 Card Reader Components Dept.
 ©OMRON Corporation
 Gate City Ohsaki, West Tower 14F 1-11-1, Ohsaki, Shinagawa-Ku Tokyo, 141-0032 JAPAN
 TEL 81-3-5435-2012 FAX 81-3-5435-2017

URL : <http://www.omron.com/card/cardreader>

Contact our nearest representative at

CAT. No. IW-01

©OMRON Corporation 2002

All Rights Reserved



Artisan Technology Group is your source for quality new and certified-used/pre-owned equipment

- FAST SHIPPING AND DELIVERY
- TENS OF THOUSANDS OF IN-STOCK ITEMS
- EQUIPMENT DEMOS
- HUNDREDS OF MANUFACTURERS SUPPORTED
- LEASING/MONTHLY RENTALS
- ITAR CERTIFIED SECURE ASSET SOLUTIONS

SERVICE CENTER REPAIRS

Experienced engineers and technicians on staff at our full-service, in-house repair center

*InstraView*SM REMOTE INSPECTION

Remotely inspect equipment before purchasing with our interactive website at www.instraview.com ↗

WE BUY USED EQUIPMENT

Sell your excess, underutilized, and idle used equipment. We also offer credit for buy-backs and trade-ins. www.artisanng.com/WeBuyEquipment ↗

LOOKING FOR MORE INFORMATION?

Visit us on the web at www.artisanng.com ↗ for more information on price quotations, drivers, technical specifications, manuals, and documentation

Contact us: (888) 88-SOURCE | sales@artisanng.com | www.artisanng.com