



Artisan Technology Group is your source for quality new and certified-used/pre-owned equipment

- FAST SHIPPING AND DELIVERY
- TENS OF THOUSANDS OF IN-STOCK ITEMS
- EQUIPMENT DEMOS
- HUNDREDS OF MANUFACTURERS SUPPORTED
- LEASING/MONTHLY RENTALS
- ITAR CERTIFIED SECURE ASSET SOLUTIONS

SERVICE CENTER REPAIRS

Experienced engineers and technicians on staff at our full-service, in-house repair center

*InstraView*SM REMOTE INSPECTION

Remotely inspect equipment before purchasing with our interactive website at www.instraview.com ↗

WE BUY USED EQUIPMENT

Sell your excess, underutilized, and idle used equipment. We also offer credit for buy-backs and trade-ins. www.artisanng.com/WeBuyEquipment ↗

LOOKING FOR MORE INFORMATION?

Visit us on the web at www.artisanng.com ↗ for more information on price quotations, drivers, technical specifications, manuals, and documentation

Contact us: (888) 88-SOURCE | sales@artisanng.com | www.artisanng.com

DeviceNet I/O Network

Masters and Remote Slaves

DeviceNet is an open, next generation Factory Automation network which can connect a wide variety of components from simple on/off devices to complex products such as Variable Frequency Drives and Vision Sensors.

Omron offers the broadest variety of products compatible with DeviceNet available from a single vendor to solve application requirements encountered for machine control in today's factory.

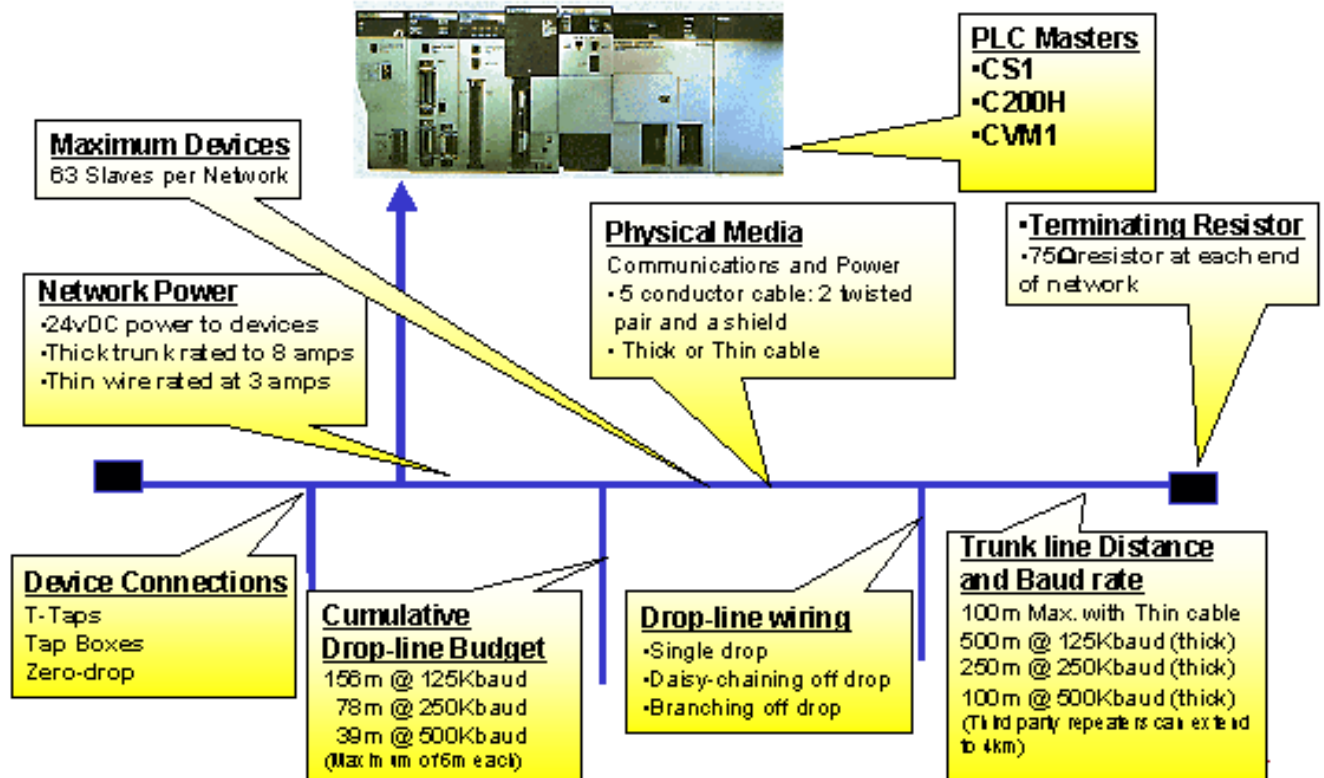
DeviceNet specifications are managed by ODVA (Open DeviceNet Vendors Association) which guarantees that the specifications remain open and tests products for compliance of the specifications. Omron, as a founding member of ODVA fully supports the benefits to customers of open, multi-vendor technology.

DeviceNet Features:

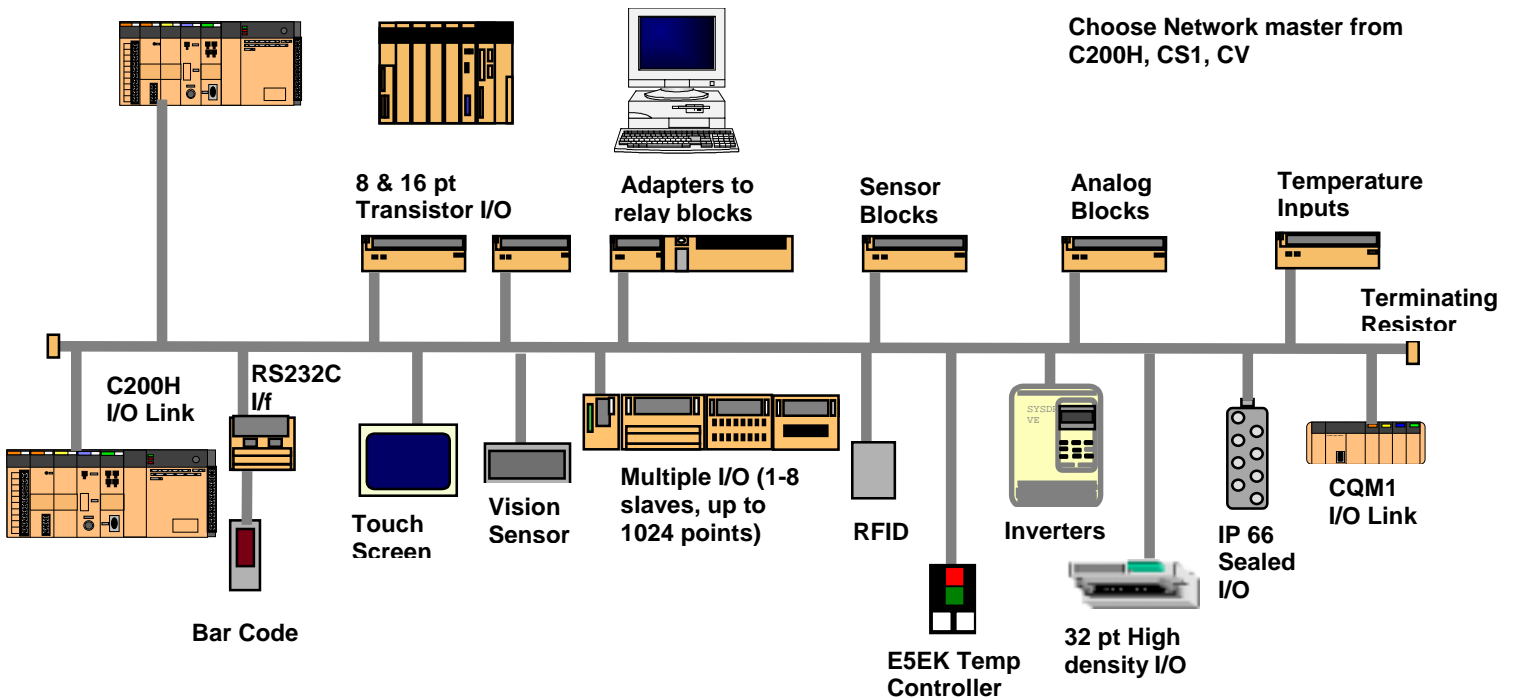
- Up to 63 slaves; 500 Meters max trunk distance
- Up to 4,800 points on one network
- Up to 16 masters per PLC
- 125K, 250K, & 500Kbaud communications speeds
- Automatic scan list generation
- FINS Messaging supported
- Polled, cyclic, bit strobe and change of state communications methods
- "Plug and Play" I/O functionality
- Communications and device power supplied on a single, 5 conductor cable
- SEMI device network standard



DeviceNet Network Configuration



Application



Omron DeviceNet Products:

- PLC Masters
- I/O “Links” for CS1/C200H and CQM1
- Analog I/O Blocks
- Discrete I/O Blocks
- Temperature Input Blocks
- Power Supplies
- Temperature Controllers
- Configuration Software
- Multiple I/O
 - Mix I/O, up to 1024pts – single node
- I/O sealed IP66 Blocks
- RFID Controller
- Inverters
- F150 Vision Sensor
- Remote Adapters –Ribbon Cable connections to relay or valve blocks
- Cables and wiring accessories

OMRON ELECTRONICS INC.

ORDERING INFORMATION

Masters and Slaves

Masters

Description	Maximum I/O Points	Part Number
CS1/C200Hα DeviceNet Master	4,800	C200HW-DRM21-V1
CVM1 DeviceNet Master	6,400	CVM1-DRM21-V1

Input Terminals

Input Type	# of Inputs	NPN or PNP	Power Supply	Mult-point Common terminal	Part Number
Transistor	8	NPN	Multiple	No	DRT1-ID08 DC24
		PNP			DRT1-ID08-1
	16	NPN			DRT1-ID16 DC24
		PNP			DRT1-ID16-1
	16	NPN		Yes	DRT1-ID16T
		PNP		DRT1-ID16T-1	

Output Terminals

Output Type	# of Outputs	NPN or PNP	Power Supply	Mult-point Common terminal	Part Number
Transistor	8	NPN	Multiple	No	DRT1-OD08 DC24
		PNP			DRT1-OD08-1
	16	NPN			DRT1-OD16 DC24
		PNP			DRT1-OD16-1
	16	NPN		Yes	DRT1-OD16T
		PNP		DRT1-OD16T-1	

Mixed I/O Terminals

I/O Type	# of I/O		NPN or PNP	Power Supply	Mult-point Common terminal	Part Number
	Inputs	Outputs				
Transistor	8	8	NPN	Multiple	Yes	DRT1-MD16T
			PNP			DRT1-MD16T-1

IP66 Sealed Blocks

I/O Type	# of I/O		NPN or PNP	Power Supply	Mult-point Common terminal	Part Number
	Inputs	Outputs				
Transistor	8	8	NPN	Multiple	No	DRT1-ID08C
			PNP			DRT1-OD08C
	8	8	NPN			DRT1-MD16C
			PNP			DRT1-MD16C-1
	16	8	NPN			DRT1-HD16C
			PNP			DRT1-HD16C-1
		16	NPN			DRT1-WD16C
			PNP			DRT1-WD16C-1

OMRON ELECTRONICS INC.

Schaumburg, IL 60173
1-800-55-OMRON

Please contact your
 local Omron office
 for further information.

One Commerce Drive

Analog I/O Terminals

Description	# of I/O		Input Type	Output Type	Power Supply	Part Number
	Inputs	Outputs				
Analog I/O	4	-	0 to 5V 1 to 5V -10 to 10V 0 to 20mA 4 to 20mA		Network	DRT1-AD04 DRT1-AD04H (16 bit resolution)
	-	2		0 to 5V 1 to 5V 0 to 10V -10 to 10V 4 to 20mA		DRT1-DA02
Temperature Inputs	4		Platinum RTD			DRT1-TS04P
	4		Thermocouple			DRT1-TS04T

ORDERING INFORMATION

Multiple I/O

Unit		# Inputs	# Outputs	I/O Connection Type	Part Number (see note)	
Communications Module		None, Comm adapter only		None	DRT1-COM	
Basic I/O	Transistor Inputs	16		M3 Terminal Block	GT1-ID16(-1)	
		16		Molex connector; GCN1-MX25B	GT1-ID16MX(-1)	
		16		Fujitsu ribbon style	GT1-ID16ML(-1)	
		16		D-Sub 25 Pin Connectors	GT1-ID16DS(-1)	
		32		High density Fujitsu	GT1-ID32ML(-1)	
	Transistor Outputs			16	M3 Terminal Block	GT1-OD16(-1)
				16	Molex connector; GCN1-MX25B	GT1-OD16MX(-1)
				16	Fujitsu ribbon style	GT1-OD16ML(-1)
				16	D-Sub 25 Pin Connectors	GT1-OD16DS(-1)
				32	High Density Fujitsu	GT1-OD32ML(-1)
Relay Outputs			8	M3 Terminal Block	GT1-ROP08	
			16	M3 Terminal Block	GT1-ROS16	
Special I/O	Analog Inputs	4		M3 Terminal Block	GT1-AD04	
		8		Molex Connector, GCN1=MX25B	GT1-AD08MX	
	Analog Outputs		4	M3 Terminal Block	GT1-DA04	
			4	Molex Connector, GCN1=MX25B	GT1-DA04MX	
	Counter Unit	1		M3 Terminal Block	GT1-CT01	
	Temperature Inputs	4 RTD			M3 Terminal Block	GT1-TS04P
4 T/C				M3 Terminal Block	GT1-TS04T	

Note: (-1) indicates that PNP version is available by adding -1 to the end of the part number.

OMRON ELECTRONICS INC.

Schaumburg, IL 60173
1-800-55-OMRON

Please contact your
local Omron office
for further information.

One Commerce Drive

ORDERING INFORMATION

Specialized I/O Terminals

High Density Compact I/O Terminals

Input Type	# of I/O		Package Style	Connector Type	NPN or PNP	Power Supply	Part Number
	Inputs	Outputs					
Transistor	32	-	Vertical	MIL	NPN	Multiple	DRT1-ID32ML
					PNP		DRT1-ID32ML-1
	16	16		MIL	NPN		DRT1-MD32ML
					PNP		DRT1-MD32ML-1
	-	32		MIL	NPN		DRT1-OD32ML
					PNP		DRT1-OD32ML-1

I/O Link Units

CPU	Description	Part Number
C200H α /CS1	Allows C200H/CS1 to be used as a terminal on DeviceNet network (512 inputs / 512 outputs)	C200HW-DRT21
CQM1/CQM1H	Allows CQM1/1H to be used as a terminal on DeviceNet network (16 inputs / 16 outputs)	CQM1-DRT21

Adapters

Item	Description	Part Number
Input Adapter	Ribbon connector adapter for 16 NPN inputs	DRT1-ID16X DC24
Input Adapter	Ribbon connector adapter for 16 PNP inputs	DRT1-ID16X-1
Out put Adapter	Ribbon connector adapter for 16 NPN outputs	DRT1-OD16X DC24
Out put Adapter	Ribbon connector adapter for 16 PNP outputs	DRT1-OD16X -1

Specialty Products

Item	Description	Part Number
Serial Interface	Two port RS232 to DeviceNet communications interface	DRT1-232C2
Temperature Controller	Single Loop Temperature Controller	E5EK-AA2-DRT
RFID	Intelligent Flag to adapt RFID to DeviceNet	V600-HAM42-DRT
Vision Sensor	Pitch/edge measurement sensor	F150-C10E-2-DRT

OMRON ELECTRONICS INC.

Schaumburg, IL 60173
1-800-55-OMRON

Please contact your
local Omron office
for further information.

One Commerce Drive

ORDERING INFORMATION

Accessories

Peripheral devices

Item	Description	Part Number
Single Branch Tap	Single branch tap box with three Phoenix connectors	DCN1-1C
Three Branch Tap	Three branch tap box with five Phoenix connectors	DCN1-3C
Terminating Resistor	Terminal Block style Terminating resistor	DRS1-T
T-Tap	Shielded T-branch Tap with Micro change connectors	DCN2-1
Cables	Thin cable with Micro change connectors both ends, .5 to 10m lengths	DCA1-5CN W1
Cables	Thin cable with female Micro change connector one end, .5 to 10m lengths	DCA1-5CN F1
Cables	Thin cable with male Micro change connector one end, .5 to 10m lengths	DCA1-5CN H1
Terminating Resistor	Shielded Micro change Terminating Resistor, Plug	DR2S-1
Terminating Resistor	Shielded Micro change Terminating Resistor, Socket	DR2S-2

Configuration Tools

ISA Configurator	ISA board configuration tool with software	3G8F5-DRM21
PCMCIA Configurator	PCMCIA Board Configurator for Laptops with software	3G8E2-DRM21

Software

Item	Description	Part Number
Programing Software	CX Programmer for all Omron Programmable Controllers	WS02-CXPC1-EL01-V1.2

Literature

Description	Part Number
Omron DeviceNet Products Catalog	P10FAX1
DeviceNet Master Operation Manual	W267-E1-4
DeviceNet Slave Operation Manual	W347-E1-1
Multiple I/O DeviceNet Operation Manual	W348-E3-1
Configurator Operation Manual	W328-E1-1

OMRON ELECTRONICS INC.
Schaumburg, IL 60173
1-800-55-OMRON

Please contact your
local Omron office
for further information.

One Commerce Drive



Artisan Technology Group is your source for quality new and certified-used/pre-owned equipment

- FAST SHIPPING AND DELIVERY
- TENS OF THOUSANDS OF IN-STOCK ITEMS
- EQUIPMENT DEMOS
- HUNDREDS OF MANUFACTURERS SUPPORTED
- LEASING/MONTHLY RENTALS
- ITAR CERTIFIED SECURE ASSET SOLUTIONS

SERVICE CENTER REPAIRS

Experienced engineers and technicians on staff at our full-service, in-house repair center

*InstraView*SM REMOTE INSPECTION

Remotely inspect equipment before purchasing with our interactive website at www.instraview.com ↗

WE BUY USED EQUIPMENT

Sell your excess, underutilized, and idle used equipment. We also offer credit for buy-backs and trade-ins. www.artisanng.com/WeBuyEquipment ↗

LOOKING FOR MORE INFORMATION?

Visit us on the web at www.artisanng.com ↗ for more information on price quotations, drivers, technical specifications, manuals, and documentation

Contact us: (888) 88-SOURCE | sales@artisanng.com | www.artisanng.com