



Artisan Technology Group is your source for quality new and certified-used/pre-owned equipment

- FAST SHIPPING AND DELIVERY
- TENS OF THOUSANDS OF IN-STOCK ITEMS
- EQUIPMENT DEMOS
- HUNDREDS OF MANUFACTURERS SUPPORTED
- LEASING/MONTHLY RENTALS
- ITAR CERTIFIED SECURE ASSET SOLUTIONS

SERVICE CENTER REPAIRS

Experienced engineers and technicians on staff at our full-service, in-house repair center

*InstraView*SM REMOTE INSPECTION

Remotely inspect equipment before purchasing with our interactive website at www.instraview.com ↗

WE BUY USED EQUIPMENT

Sell your excess, underutilized, and idle used equipment. We also offer credit for buy-backs and trade-ins. www.artisanng.com/WeBuyEquipment ↗

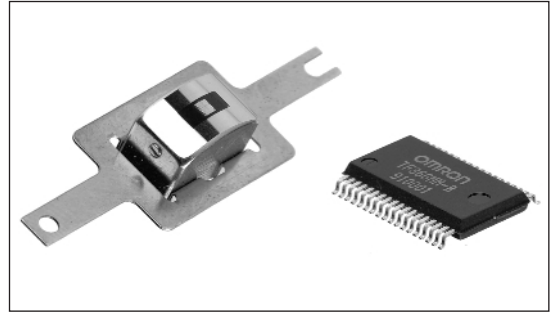
LOOKING FOR MORE INFORMATION?

Visit us on the web at www.artisanng.com ↗ for more information on price quotations, drivers, technical specifications, manuals, and documentation

Contact us: (888) 88-SOURCE | sales@artisanng.com | www.artisanng.com

Magnetic Heads and F2F Decoder Integrated Circuits

- One, two and three track magnetic stripe reading.
- Permalloy 1.4mm track reading width.
- Supplied with mounting spring.
- One and two channel F2F decoder IC.
- 20 or 36 pin sm moulded plastic package.
- 75 or 210 BPI clock signal.



Ordering Information

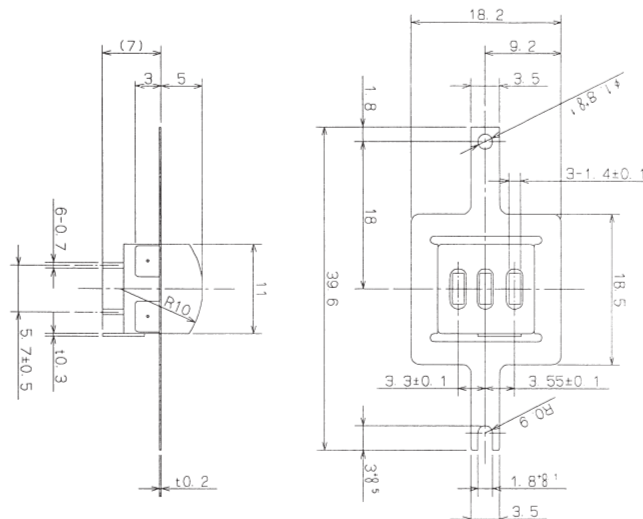
Part Number	Description
MAGHEAD(HNR4)	Single track head
2TRHEAD(HNR)	Two track head
3TRHEAD26736750	Three track head
TF443MM	Single channel F2F decoder IC
ICTF366MM-B	Two channel F2F decoder IC

Magnetic Head Specification

Gap width	0.03mm
Gap depth	0.3mm minimum
Track width	1.4mm \pm 0.1
Core	Permalloy
Shield case	Permalloy
Case resin	Epoxy resin
Ambient temperature (operation)	-20° to 65° C
Ambient humidity (operation)	10% to 90% RH
Read output	19mV p-p \pm 20%
Core earth	3 V max. 10 ohm max.

Dimensions

The three track head is illustrated as an example - full specification for all options available on request.

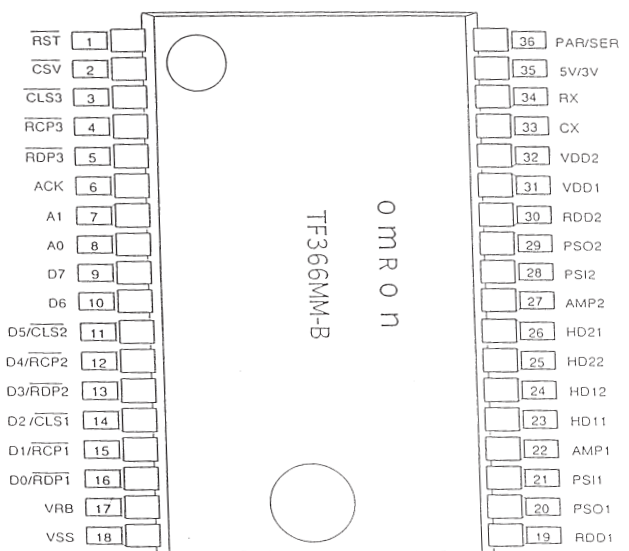
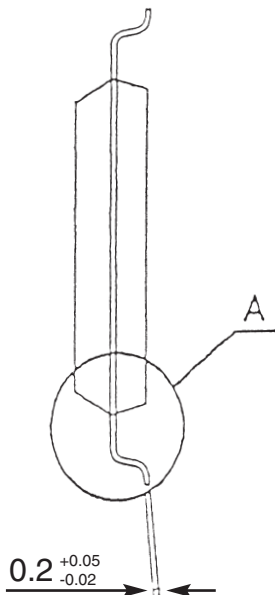
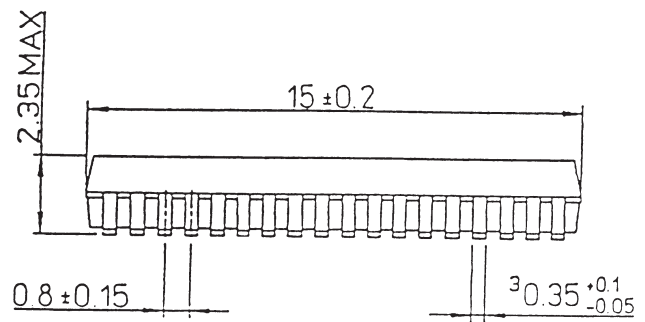
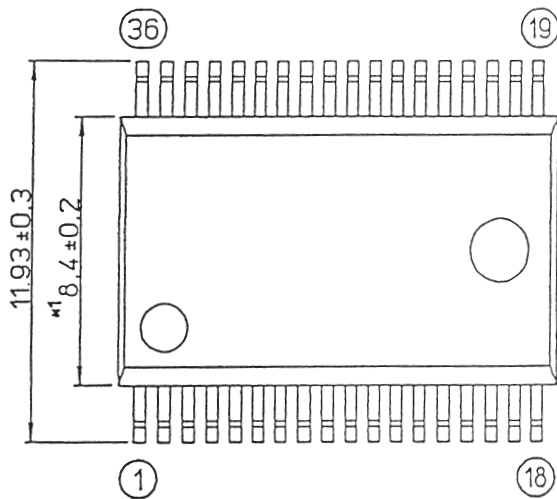


F2F Decoder IC Specification

Package Type	20 or 36 pin moulded plastic
Output	CLS, RCP and RDP for 1 or 2 channels 8 bit
Supply voltage	VDD -0.3 to 7.0V DC
Input voltage	VI -0.3 to VDD + 0.3 VDC
Output voltage	VO -0.3 to VDD + 0.3 V DC
Ambient temperature (operation)	-20 to 75° C
Power dissipation	1 W

Dimensions

The two channel package is illustrated as an example





Artisan Technology Group is your source for quality new and certified-used/pre-owned equipment

- FAST SHIPPING AND DELIVERY
- TENS OF THOUSANDS OF IN-STOCK ITEMS
- EQUIPMENT DEMOS
- HUNDREDS OF MANUFACTURERS SUPPORTED
- LEASING/MONTHLY RENTALS
- ITAR CERTIFIED SECURE ASSET SOLUTIONS

SERVICE CENTER REPAIRS

Experienced engineers and technicians on staff at our full-service, in-house repair center

*InstraView*SM REMOTE INSPECTION

Remotely inspect equipment before purchasing with our interactive website at www.instraview.com ↗

WE BUY USED EQUIPMENT

Sell your excess, underutilized, and idle used equipment. We also offer credit for buy-backs and trade-ins. www.artisanng.com/WeBuyEquipment ↗

LOOKING FOR MORE INFORMATION?

Visit us on the web at www.artisanng.com ↗ for more information on price quotations, drivers, technical specifications, manuals, and documentation

Contact us: (888) 88-SOURCE | sales@artisanng.com | www.artisanng.com