



Artisan Technology Group is your source for quality new and certified-used/pre-owned equipment

- FAST SHIPPING AND DELIVERY
- TENS OF THOUSANDS OF IN-STOCK ITEMS
- EQUIPMENT DEMOS
- HUNDREDS OF MANUFACTURERS SUPPORTED
- LEASING/MONTHLY RENTALS
- ITAR CERTIFIED SECURE ASSET SOLUTIONS

SERVICE CENTER REPAIRS

Experienced engineers and technicians on staff at our full-service, in-house repair center

*InstraView*SM REMOTE INSPECTION

Remotely inspect equipment before purchasing with our interactive website at www.instraview.com ↗

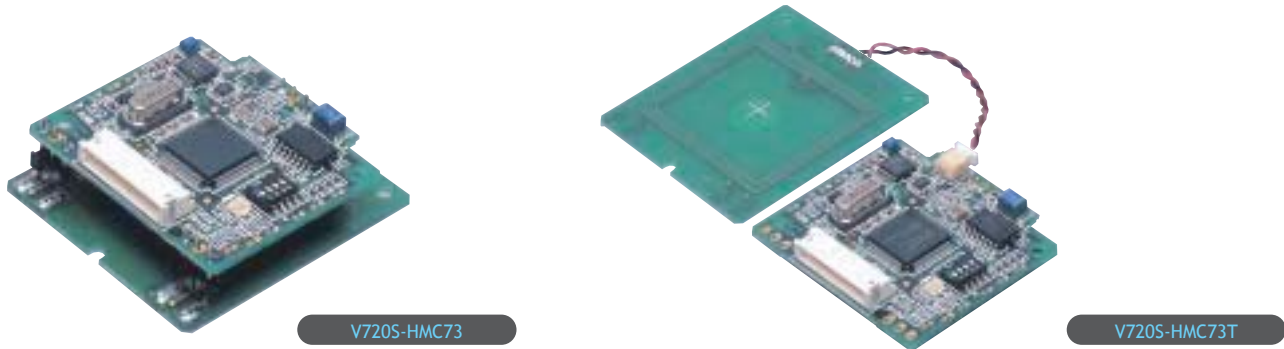
WE BUY USED EQUIPMENT

Sell your excess, underutilized, and idle used equipment. We also offer credit for buy-backs and trade-ins. www.artisanng.com/WeBuyEquipment ↗

LOOKING FOR MORE INFORMATION?

Visit us on the web at www.artisanng.com ↗ for more information on price quotations, drivers, technical specifications, manuals, and documentation

Contact us: (888) 88-SOURCE | sales@artisanng.com | www.artisanng.com



OMRON's PCB-type Read/Write Modules are available as a one-unit type (V720S-HMC73) or a separate type (V720S-HMC73T), according to the mounting space. The modules are best suited for built-in applications.

Features and Benefits

Supports both Royal Philips Electronics I.CODE 1 Tags and ISO/IEC 15693-compliant I.CODE SLI tags.
Conforms to extremely low power radio stations.

One unit and separate types are available
Compact in size and equipped with a read/write function.
Inherit the user-friendly host command structure of the previous series.

General Specifications

Item	V720S-HMC73	V720S-HMC73T
Mounting	M2.3 screw mounting at three points	M2 screw mounting at two points (circuit board) M2.3 screw mounting at three points (antenna board)
Communications frequency	13.56 MHz	
Ambient temperature in operation	- 10 ~ + 55	
Power supply voltage	DC5V ± 10%	
Current consumption	Approx. 70 mA and less (oscillating), approx. 20 mA and less (not oscillating)	
Vibration resistance	10 to 150 Hz, 0.1 mm single amplitude at 50 m/s ² in three directions, ten times for 8 minutes each	
Shock resistance	Resistance 150 m/s ² three times each in six directions	
Communications system	Two-wire half duplex serial communication system (CMOS level) (*1)	
Connector	S10B-ZR-SM3A-TF (JST Mfg. Co., Ltd.)	
Communications control system/baud rate	CR control/Character control/9,600 bps/38,400 bps	
Weight	Approx. 12 g	
Applicable standards	Extremely low power radio station	

*Note: The device cannot be connected to an RS-232C interface directly. Should the connection to an RS-232C interface be required, consult your OMRON representative.

Communications time (Reference value)

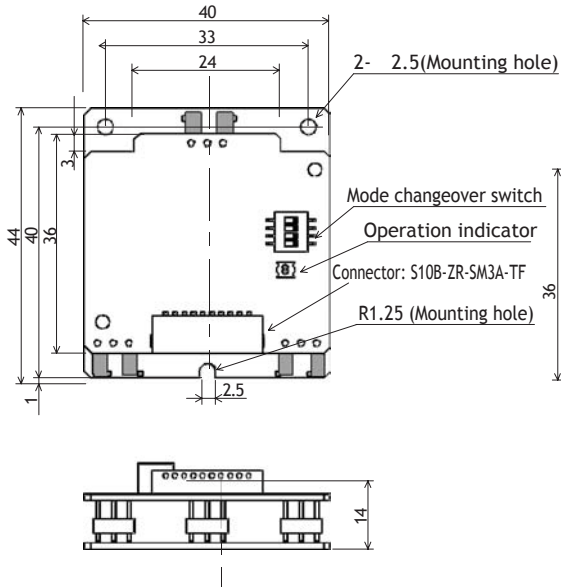
Command	I.CODE 1	I.CODE SLI
Read	T = 1.3N + 6.2	T = 1.3N + 6.0
Write	T = 13N + 13.5	T = 13.6N + 15.5

* T = communications time (msec), N = number of pages, the minimum access unit is page (4 bytes).

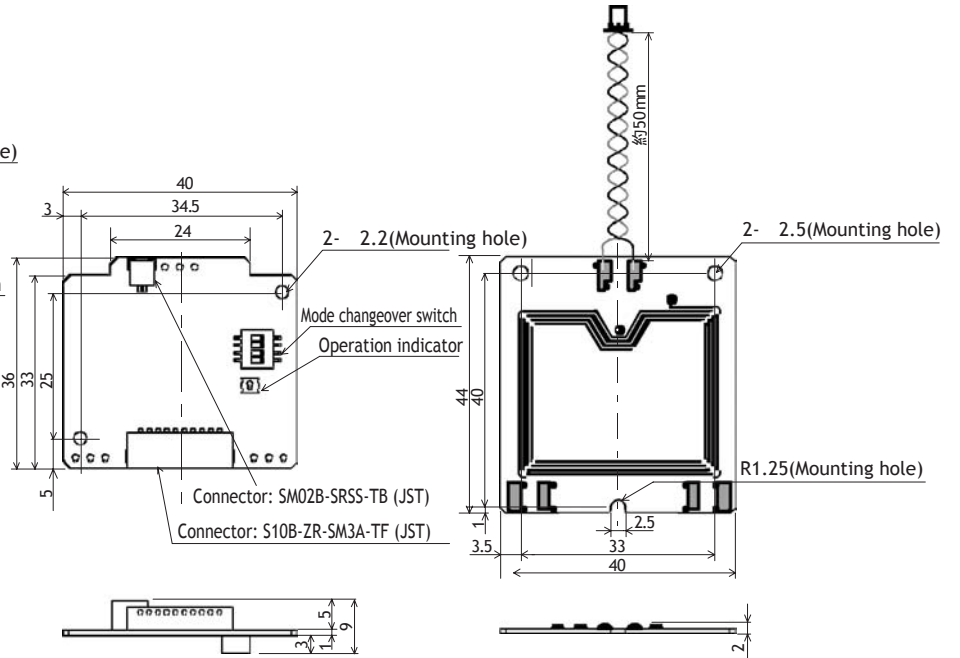
* The time here refers to the processing time of the communication between the PCB-Type Read/Write Module and a tag, assuming the specified read/write target pages are consecutive.

PCB-Type Read/Write Modules Dimensions

V720S-HMC73



V720S-HMC73T





Artisan Technology Group is your source for quality new and certified-used/pre-owned equipment

- FAST SHIPPING AND DELIVERY
- TENS OF THOUSANDS OF IN-STOCK ITEMS
- EQUIPMENT DEMOS
- HUNDREDS OF MANUFACTURERS SUPPORTED
- LEASING/MONTHLY RENTALS
- ITAR CERTIFIED SECURE ASSET SOLUTIONS

SERVICE CENTER REPAIRS

Experienced engineers and technicians on staff at our full-service, in-house repair center

*InstraView*SM REMOTE INSPECTION

Remotely inspect equipment before purchasing with our interactive website at www.instraview.com ↗

WE BUY USED EQUIPMENT

Sell your excess, underutilized, and idle used equipment. We also offer credit for buy-backs and trade-ins. www.artisanng.com/WeBuyEquipment ↗

LOOKING FOR MORE INFORMATION?

Visit us on the web at www.artisanng.com ↗ for more information on price quotations, drivers, technical specifications, manuals, and documentation

Contact us: (888) 88-SOURCE | sales@artisanng.com | www.artisanng.com