



Artisan Technology Group is your source for quality new and certified-used/pre-owned equipment

- FAST SHIPPING AND DELIVERY
- TENS OF THOUSANDS OF IN-STOCK ITEMS
- EQUIPMENT DEMOS
- HUNDREDS OF MANUFACTURERS SUPPORTED
- LEASING/MONTHLY RENTALS
- ITAR CERTIFIED SECURE ASSET SOLUTIONS

SERVICE CENTER REPAIRS

Experienced engineers and technicians on staff at our full-service, in-house repair center

*InstraView*SM REMOTE INSPECTION

Remotely inspect equipment before purchasing with our interactive website at www.instraview.com ↗

WE BUY USED EQUIPMENT

Sell your excess, underutilized, and idle used equipment. We also offer credit for buy-backs and trade-ins. www.artisanng.com/WeBuyEquipment ↗

LOOKING FOR MORE INFORMATION?

Visit us on the web at www.artisanng.com ↗ for more information on price quotations, drivers, technical specifications, manuals, and documentation

Contact us: (888) 88-SOURCE | sales@artisanng.com | www.artisanng.com

F100A-HE

CW & Pulsed Measurements 120mW - 100W 50mJ - 200J

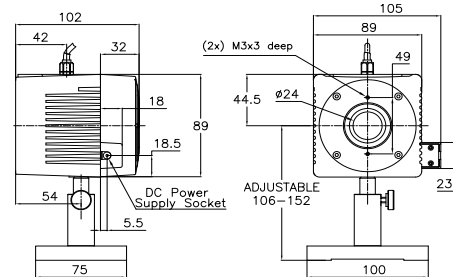
Recommended Use: High energy and average power pulsed lasers

HE: YAG + harmonics, Holmium, Erbium

Special Features: High damage threshold for short pulses, high average power

Absorber:	HE type: 0.19 - 0.625µm, 1.064µm, 2.1µm, 2.9µm	
Aperture:	Ø24mm	
Digital Power Scales:	100W / 30W / 3W	
Maximum Average Power Density:	500W/cm ²	
Power Noise Level:	6mW	
Power Accuracy:	±3%	
Maximum Energy Density J/cm ² a:	Single shot	10-50Hz
	<100ns	5
	0.5ms	100
	2ms	150
Response Time with Display (0-95%):	3.8s typ	
Linearity with Power:	± 1%	
Energy Scales:	200J / 50J / 5J	
Energy Threshold:	50mJ	
Cooling:	Fan	
Note a: For shorter wavelengths, derate to values shown:	Wavelength	Derate to value
	355nm	50%
	266nm	50%
	193nm	10%

F100A-HE



Laser Power & Energy

Heads

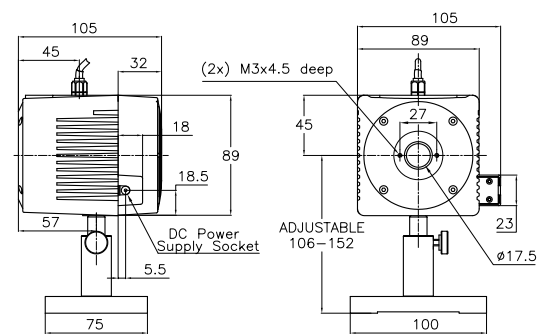
F150A

CW & Pulsed Measurements 60mW - 150W 20mJ - 100J

Recommended Use: General use to 150W

Special Features: Fan cooled

Absorber:	Broadband: 0.19-20µm	
Aperture:	Ø17.5mm	
Digital Power Scales:	150W / 30W	
Maximum Average Power Density:	15KW/cm ²	
Power Noise Level:	3mW	
Power Accuracy:	± 3%	
Maximum Energy Density J/cm ² :	<100ns	0.3
	0.5ms	5
	2ms	10
	10ms	30
	Response Time with Display (0-95%):	1.2s
Linearity with Power:	± 1%	
Energy Scales:	100J/30J/3J	
Energy Threshold:	20mJ	
Cooling:	Fan	



Displays

Beam Profile Wavelength

OEM Products

Ordering Information

Item	Description	Ophir P/N
F100A-HE-V1	100 Watt power/energy meter for wavelengths 0.19-.625 and 0.9-3µm. Energy calibrated for 0.19-0.6µm and 2.9µm. Fan cooled	7Z02677
F150A-V2	Fan cooled 150W power/energy meter	7Z02682

Quasar: Some of the above heads are available with integral Quasar Bluetooth module for wireless transmission direct to PC. See page 97 for more details.





Artisan Technology Group is your source for quality new and certified-used/pre-owned equipment

- FAST SHIPPING AND DELIVERY
- TENS OF THOUSANDS OF IN-STOCK ITEMS
- EQUIPMENT DEMOS
- HUNDREDS OF MANUFACTURERS SUPPORTED
- LEASING/MONTHLY RENTALS
- ITAR CERTIFIED SECURE ASSET SOLUTIONS

SERVICE CENTER REPAIRS

Experienced engineers and technicians on staff at our full-service, in-house repair center

*InstraView*SM REMOTE INSPECTION

Remotely inspect equipment before purchasing with our interactive website at www.instraview.com ↗

WE BUY USED EQUIPMENT

Sell your excess, underutilized, and idle used equipment. We also offer credit for buy-backs and trade-ins. www.artisanng.com/WeBuyEquipment ↗

LOOKING FOR MORE INFORMATION?

Visit us on the web at www.artisanng.com ↗ for more information on price quotations, drivers, technical specifications, manuals, and documentation

Contact us: (888) 88-SOURCE | sales@artisanng.com | www.artisanng.com