



Artisan Technology Group is your source for quality new and certified-used/pre-owned equipment

- FAST SHIPPING AND DELIVERY
- TENS OF THOUSANDS OF IN-STOCK ITEMS
- EQUIPMENT DEMOS
- HUNDREDS OF MANUFACTURERS SUPPORTED
- LEASING/MONTHLY RENTALS
- ITAR CERTIFIED SECURE ASSET SOLUTIONS

SERVICE CENTER REPAIRS

Experienced engineers and technicians on staff at our full-service, in-house repair center

*InstraView*SM REMOTE INSPECTION

Remotely inspect equipment before purchasing with our interactive website at www.instraview.com ↗

WE BUY USED EQUIPMENT

Sell your excess, underutilized, and idle used equipment. We also offer credit for buy-backs and trade-ins. www.artisanng.com/WeBuyEquipment ↗

LOOKING FOR MORE INFORMATION?

Visit us on the web at www.artisanng.com ↗ for more information on price quotations, drivers, technical specifications, manuals, and documentation

Contact us: (888) 88-SOURCE | sales@artisanng.com | www.artisanng.com

OPTIMA™ Overcurrent Protection Module with Load Break Disconnect Switch

OPM-SW



Catalog Symbol: OPM-SW
 Ampere Rating: 30A Maximum
 AC Voltage Rating: 600 Volts (or less)
 Horsepower Rating of Switch:

3PH	V	208	240	480	600
	HP	5	7.5	15	20

Short-Circuit Rating: Suitable for use on a circuit capable of delivering not more than 100,000A RMS Sym. 600V max. when protected by 60A Class J or 30A Class CC fuses on the line side of the device.

Agency Approvals:
 UL Recognized, UL508, Guide NLRV2, File E161278
 CSA Certified, C22.2 No. 39, Class 6225-01, File 47235
 Shipping Weight: Approx. 485 grams/1.0 lbs.
 Carton Quantity: 1

Physical Characteristics:

- Holds Buss® LP-CC, Class CC fuses.
- Small size matches 45mm IEC starter width.
- Fits #14 - #10 gauge wire, both stranded and solid.
- 3 pole version.
- Phil slot screws.
- Pressure plate terminations.
- Handle and shaft are required for proper operation (see page 2).

Current-Limitation:

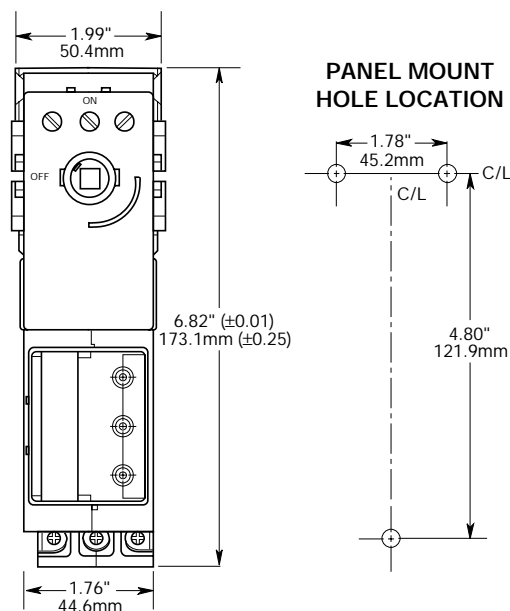
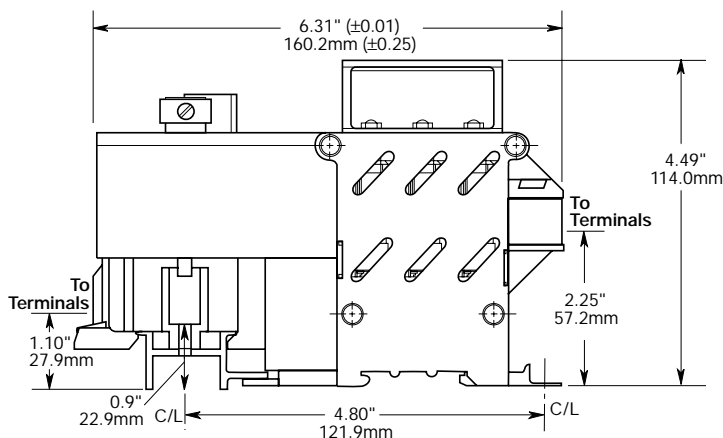
- Class CC levels.
- Provides Type 2 protection for motor starters (when used with properly sized LOW-PEAK® Class CC fuses from Bussmann).

Safety Features:

- Load break. Interlock prevents fuse removal unless switch is in the off position.
- Rejection of non-Class CC fuses.
- Blown fuse indicators.
- Safety handle.
- Finger safe terminals.
- Pull-out module for convenient fuse loading and removal.
- 35mm DIN-rail or screw mount.
- Dead-front construction. No exposed contacts for added safety.
- Padlockable.

CE logo denotes compliance with European Union Low Voltage Directive (50-1000 VAC, 75-1500 VDC). Refer to BIF document #8002 or contact Bussmann Application Engineering at 314-527-1270 for more information. Applies to OPM-1038SW and OPM-1038RSW.

Inches All other dimensions (±0.005)
Millimeters (±0.130)



OPTIMA™ Overcurrent Protection Module with Load Break Disconnect Switch

OPM-SW

Ordering Information:

OPM-SW + Handle + Shaft = Complete Disconnect Switch
(without fuses)

1. Select the appropriate handle style (Selector, Pistol, or Rotary).
2. Select the shaft corresponding to the handle type and mounting depth required (no shaft needed for the OPH125).

Handles (□.20" x .20" Shaft Dimension)

Style	NEMA Type	Color	Length (Inches)	Marking	Padlockable	Defeatable	Catalog Number
Selector	1, 3R, 12	Black	—	Off/On	Yes	No	BDSL105
Selector	1, 3R, 12	Red/Yel	—	O/I	Yes	No	BDSL106
Selector	1, 3R, 12	Red/Yel	—	Off/On	Yes	No	BDSL107
Pistol	1, 12	Black	3.15	Off/On	Yes	Yes	BDH47
Pistol	1, 3R, 12	Black	2.36	Off/On	Yes	Yes	BDH99
Pistol	1, 3R, 12	Red/Yel	2.36	O/I	Yes	Yes	BDH100
Pistol	1, 3R, 4, 4X, 12	Black	2.36	Off/On	Yes	No	BDH102
Pistol	1, 3R, 4, 4X, 12	Red/Yel	2.36	O/I	Yes	No	BDH103
Rotary	1	Black	1.67	O/I Off/On	Yes	No	OPH125

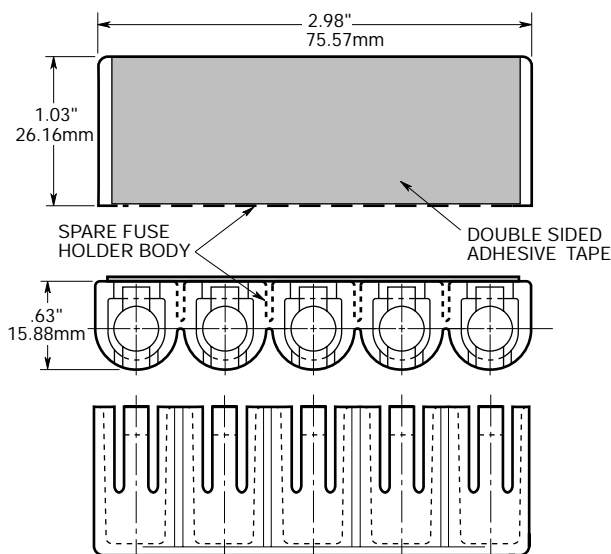
NOTE: OPH125 is a rotary handle that mounts directly to switch.

Extended Shafts (□.20" x .20" Shaft Dimension)

For Handle Type	Mounting Depth*	Shaft Length	Catalog Number
NEMA 1, 3R & 12 Selector	3.74 - 4.33	2.76	BDS70
	4.52 - 5.71	3.54	BDS90
	5.31 - 6.50	4.33	BDS110
	6.88 - 8.06	5.91	BDS150S
	8.07 - 9.25	7.09	BDS180
NEMA 1, 3R 4, 4X & 12 Pistol	11.02 - 14.16	12.01	BDS305
	6.89 - 7.48	5.91	BDS150P
	7.67 - 8.27	6.69	BDS170
	11.42 - 12.00	10.43	BDS265
	16.72 - 17.32	15.75	BDS400

*Mounting depth is the distance from the outside of the door to the disconnect switch mounting plate. Shaft can be cut to desired length.

Spare Fuseholder: Part No. 5TPH



Available only in bulk quantities.

The only controlled copy of this BIF document is the electronic read-only version located on the Bussmann Network Drive. All other copies of this document are by definition uncontrolled. This bulletin is intended to clearly present comprehensive product data and provide technical information that will help the end user with design applications. Bussmann reserves the right, without notice, to change design or construction of any products and to discontinue or limit distribution of any products. Bussmann also reserves the right to change or update, without notice, any technical information contained in this bulletin. Once a product has been selected, it should be tested by the user in all possible applications.



Artisan Technology Group is your source for quality new and certified-used/pre-owned equipment

- FAST SHIPPING AND DELIVERY
- TENS OF THOUSANDS OF IN-STOCK ITEMS
- EQUIPMENT DEMOS
- HUNDREDS OF MANUFACTURERS SUPPORTED
- LEASING/MONTHLY RENTALS
- ITAR CERTIFIED SECURE ASSET SOLUTIONS

SERVICE CENTER REPAIRS

Experienced engineers and technicians on staff at our full-service, in-house repair center

*InstraView*SM REMOTE INSPECTION

Remotely inspect equipment before purchasing with our interactive website at www.instraview.com ↗

WE BUY USED EQUIPMENT

Sell your excess, underutilized, and idle used equipment. We also offer credit for buy-backs and trade-ins. www.artisanng.com/WeBuyEquipment ↗

LOOKING FOR MORE INFORMATION?

Visit us on the web at www.artisanng.com ↗ for more information on price quotations, drivers, technical specifications, manuals, and documentation

Contact us: (888) 88-SOURCE | sales@artisanng.com | www.artisanng.com