



Artisan Technology Group is your source for quality new and certified-used/pre-owned equipment

- FAST SHIPPING AND DELIVERY
- TENS OF THOUSANDS OF IN-STOCK ITEMS
- EQUIPMENT DEMOS
- HUNDREDS OF MANUFACTURERS SUPPORTED
- LEASING/MONTHLY RENTALS
- ITAR CERTIFIED SECURE ASSET SOLUTIONS

SERVICE CENTER REPAIRS

Experienced engineers and technicians on staff at our full-service, in-house repair center

*InstraView*SM REMOTE INSPECTION

Remotely inspect equipment before purchasing with our interactive website at www.instraview.com ↗

WE BUY USED EQUIPMENT

Sell your excess, underutilized, and idle used equipment. We also offer credit for buy-backs and trade-ins. www.artisanng.com/WeBuyEquipment ↗

LOOKING FOR MORE INFORMATION?

Visit us on the web at www.artisanng.com ↗ for more information on price quotations, drivers, technical specifications, manuals, and documentation

Contact us: (888) 88-SOURCE | sales@artisanng.com | www.artisanng.com

Oriel Digital Radiometric Power Supplies



69931 Oriel Digital Radiometric Power Supply

The Oriel Radiometric Power Supplies are highly regulated sources of constant current or constant power for Quartz Tungsten Halogen Lamps and IR Elements rated to 10 A or 1100 W. Researchers favor Oriel Power Supplies because of their reliability, small size, ease of use and economical price.

To ensure long term output stability, order the optional 68950 Light Intensity Controller, along with your power supply.

Operate These Sources

The 69931 and 69935 Radiometric Power Supplies operate these QTH sources.

This Power Supply	Operates These Sources
69931	45 W QTH
	50 W QTH
	100 W QTH
	200 W QTH
	250 W QTH
69935	140 W IR Element
	200 W QTH
	600 W QTH
	1000 W QTH

Control and Monitor Lamp Remotely via PC

These power supplies include an RS 232 PC interface; an optional IEEE 488 (GPIB) interface board is available. Via either of these interfaces you have full access to all the control and monitoring features of the power supply, from your computer. You can power the supply on and off, set the current/power preset and limit, and monitor the current, voltage, power, and operating time.

Save Set-Ups for Multiple Lamps

You can store up to five lamp set-ups, eliminating the need to program the lamps' parameters every time you power a different lamp type. Analog signals are available through a back panel connector, for remote metering of voltage, current and power, as well as lamp start and stop, for users who do not wish to use a computer.

- Highly regulated constant current/power supply for QTH lamps and IR elements rated to 1100 W
- Digital display of lamp current, voltage, power and usage
- Standard RS232 and optional IEEE-488 (GPIB) PC interfaces for remote lamp operation and monitoring
- Safety interlock feature prevents accidental exposure to lamp
- CE Compliant

Digital Display Ensures Repeatable Settings

The 69931 and 69935 have a digital meter to ensure repeatable current settings. This is particularly useful for calibrated lamps [BAD REF 138743] where you need to accurately duplicate the calibration current settings.

Monitor Lamp Usage

In addition to monitoring a lamp's current (amps), voltage (volts) and power (watts), these Radiometric Supplies let you monitor the lamp's operating time, in hours. When the display is set to this unit of measure (hours), accumulated lamp hours, are displayed. A lamp's output degrades with age; keeping track of its usage ensures that you change lamps once the lamp has reached its useful lifetime.

Soft Start Protects Lamps

These supplies gradually apply power on lamp start-up and gradually reduce power on lamp shut-down. This prevents catastrophic damage from in-rush current on lamp start, and minimizes stress to the lamp. The reduction in thermal shock to calibrated lamps ensures longer validity of the calibration.

For Systems Integrators...

The power supplies described here run various lamps, and have numerous user features. We also offer a family of fixed current power supplies for Researchers and Systems Integrators who do not require the versatility of these units. The fixed current sources are factory pre-set for the specified lamp. The only lamp control is an on/off switch. Performance and reliability are equal to these fully featured models.

Safety Interlock Prevents Accidental Exposure

Newport's Oriel Power Supplies have a safety interlock feature which must be satisfied before the power supply will power the lamp and which, if broken during operation, will disable the power supply. When one of these power supplies is used with an Oriel QTH Lamp Housing, the housing door's interlock switch must be connected to the power supply's interlock socket. Overheating of the housing or accidental opening of the door will automatically shut down the power supply.

Performance Benefits of CE Marking

Our power supplies have gone through an extensive re-design and exhaustive testing to ensure CE compliance. These re-designed power supplies offer several significant performance improvements. Line harmonic reduction makes the supplies virtually impervious to line voltage variation as well as more efficient. In addition, low noise design techniques used to reduce energy escaping from the supplies decreased the noise inside, resulting in more precise and efficient control.

Specifications

	Model 69931	Model 69935
Power Factor	>0.99	>0.99
Input Voltage	90 - 264 VAC	95 - 264 VAC
Input Current	5 A	15 A
Input Frequency	47 - 63 Hz	47 - 63 Hz
Output Power	40 - 300 W	160 - 1100 W
Output Current	0 - 15 A	4 - 10 A
Output Voltage Range	0 - 45 VDC	0 - 140 VDC
Line Regulation	0.01%	0.01%
Output Voltage Ripple	< 0.05 % r.m.s.	< 0.05 % r.m.s.
Light Ripple	<0.05 % r.m.s.	<0.05 % r.m.s.
Meter accuracy (% of full scale)	< 0.05%	< 0.05%
Digital Meter Resolution, Voltage	0.1 VDC	0.1 VDC
Digital Meter Resolution, Current	0.01 A	0.01 A
Digital Meter Resolution, Power	1 W	1 W
Safety Interlock Voltage	12 VDC/GND	12 VDC/GND
Operating Mode	Constant current or constant power	Constant current or constant power
Ambient Operating Temperature	0 - 45 °C	0 - 45 °C
Weight	20 lb (9 kg)	20 lb (9 kg)

Ordering Information

Model	Description	Price
69931	40 - 250 W Radiometric Power Supply	
69935	160 - 1100 W Radiometric Power Supply	
69900	Optional IEEE-488 Interface Board	
69895	3U Rack Mounting Kit	

Cables

These power supplies are shipped with a 6 ft. (1.8 m) long power cord, for the appropriate country. Our lamp housings are shipped with the appropriate cable(s) for the lamp.

Optional Rack Mounting

We offer an optional 3U Rack so you can mount the power supply in a standard 19 inch mounting kit rack. Cables to connect the power supply to our lamp housings are 6 ft. (1.8 m) long; the power cord is also 6 ft. (1.8 m) long.

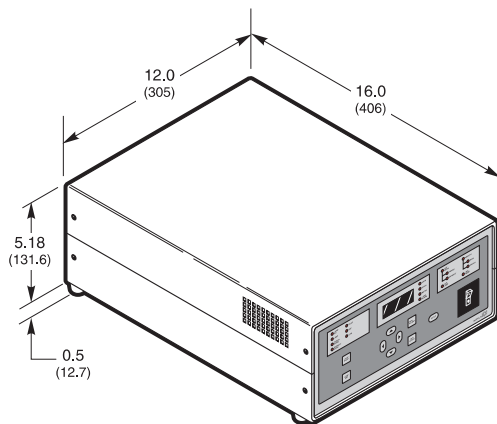


Fig. 1 Dimensional diagram of Oriel Radiometric Power Supplies.



Artisan Technology Group is your source for quality new and certified-used/pre-owned equipment

- FAST SHIPPING AND DELIVERY
- TENS OF THOUSANDS OF IN-STOCK ITEMS
- EQUIPMENT DEMOS
- HUNDREDS OF MANUFACTURERS SUPPORTED
- LEASING/MONTHLY RENTALS
- ITAR CERTIFIED SECURE ASSET SOLUTIONS

SERVICE CENTER REPAIRS

Experienced engineers and technicians on staff at our full-service, in-house repair center

*InstraView*SM REMOTE INSPECTION

Remotely inspect equipment before purchasing with our interactive website at www.instraview.com ↗

WE BUY USED EQUIPMENT

Sell your excess, underutilized, and idle used equipment. We also offer credit for buy-backs and trade-ins. www.artisanng.com/WeBuyEquipment ↗

LOOKING FOR MORE INFORMATION?

Visit us on the web at www.artisanng.com ↗ for more information on price quotations, drivers, technical specifications, manuals, and documentation

Contact us: (888) 88-SOURCE | sales@artisanng.com | www.artisanng.com