



Artisan Technology Group is your source for quality new and certified-used/pre-owned equipment

- FAST SHIPPING AND DELIVERY
- TENS OF THOUSANDS OF IN-STOCK ITEMS
- EQUIPMENT DEMOS
- HUNDREDS OF MANUFACTURERS SUPPORTED
- LEASING/MONTHLY RENTALS
- ITAR CERTIFIED SECURE ASSET SOLUTIONS

SERVICE CENTER REPAIRS

Experienced engineers and technicians on staff at our full-service, in-house repair center

*InstraView*SM REMOTE INSPECTION

Remotely inspect equipment before purchasing with our interactive website at www.instraview.com ↗

WE BUY USED EQUIPMENT

Sell your excess, underutilized, and idle used equipment. We also offer credit for buy-backs and trade-ins. www.artisanng.com/WeBuyEquipment ↗

LOOKING FOR MORE INFORMATION?

Visit us on the web at www.artisanng.com ↗ for more information on price quotations, drivers, technical specifications, manuals, and documentation

Contact us: (888) 88-SOURCE | sales@artisanng.com | www.artisanng.com



STEPPER SYSTEMS



SELECTION OVERVIEW. . .CONTROLS

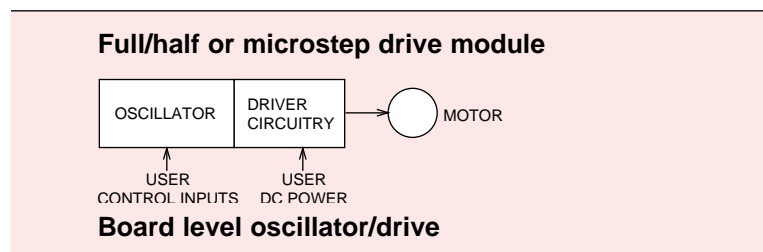
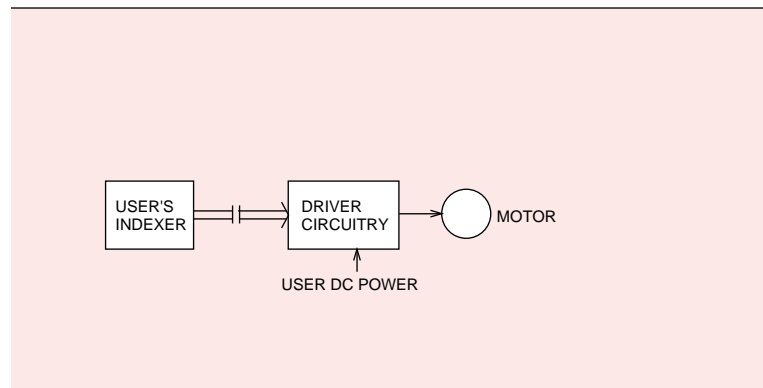
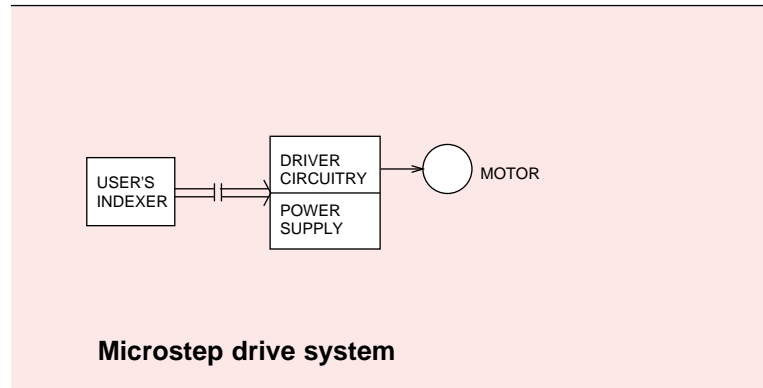
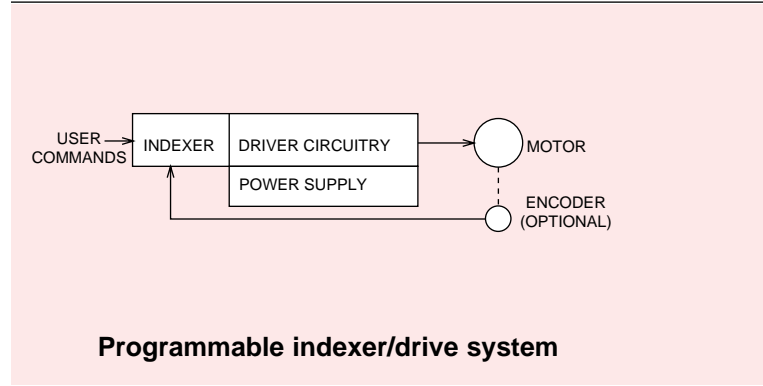
HOW TO USE THIS SECTION

Use the system selection overview (right) as a guide to select the level of control you require. Controllers are listed by family/series and functionality.

The table of contents below will help you easily locate the controllers and motors needed to complete your system.

Table of contents	Page
6000 Series Stepper Motor Drives	
Drive modules	C-6
Model 6410 Drive Module	
7.1 A peak, 5.0 A rms	
Single user supply, 24-75 Vdc	
switch selectable microstep and	
current settings	C-7
Model 6415 Oscillator Drive Module	
7.1 A peak, 0.625 to 5.0 A rms	
Single user supply, 24-75 Vdc	
switch selectable microstep and	
current settings	C-16
Model 6420 Indicator Drive Module	
7.1 A peak, 0.625 to 5.0 A rms	
Single user supply, 24-75 Vdc	
switch selectable microstep and	
current settings	C-28
5000 Series Stepper Motor Drives	
Programmable indexer/drivers	C-39
Models 5645/5445/5345	
Stepper BASIC™ programmable	
direct AC line operation	C-40, C-44
user definable microstep	C-40, C-44
Stepper BASIC™ programming	
sample programs and summary list . . .	C-50
Model 5240	
mnemonic programmable	
half-step indexer/driver	C-58
Drive packages	C-64
Models 5630/5430/5330	
microstep driver packages	C-66, C-69
Model 5230	
full/half-step driver package	C-74
Drive modules	
Model 5210	
pc board mountable driver	C-78
Hybrid Step Motors for System Use	
E & H Series motors	C-82
NEMA 23	C-84
NEMA 34	C-89
NEMA 42	C-97
POWERMAX™ Step Motors	
M & P Series motors	C-103
NEMA 23	C-107

CONTROLS



... Step motion control systems

Recommended Step Motors ... E Series, see page C-82

FEATURES

	Model	NEMA 42 Frame	NEMA 34 Frame	NEMA 23 Frame	PAGE
		Frame Size (in.)			
		4.2	3.4	2.3	
		Holding Torque Range (oz-in./Nm)			
<ul style="list-style-type: none"> • Programming in PacSci Stepper BASIC™ • Full and microstep operation to 25,000 steps/rev (except 5240) • Encoder interface for closed loop operation • Serial interface, intelligent I/O • Single and multiaxis use • Simple mnemonic instructions (5240 only) • Full and half step operation (5240 only) 	5645	1284-4034 oz-in. (9.07-28.49 Nm)	1222 oz-in. (8.63 Nm)		C-40
	5445	1284 oz-in. (9.07 Nm)	319-1222 oz-in. (2.25-8.63 Nm)		C-44
	5345		237-638 oz-in. (1.67-4.51 Nm)	158-225 oz-in. (1.12-1.59 Nm)	C-44
	5240		237-638 oz-in. (1.67-4.51 Nm)	112-225 oz-in. (.79-1.59 Nm)	C-58
<ul style="list-style-type: none"> • High efficiency bipolar chopper drives • Pulse & direction input • Idle current reduction • Mid-range instability compensation (except 5230) • Full and microstep operation (except 5230) 	5630	1284-4034 oz-in. (9.07-28.49 Nm)	1222 oz-in. (8.63 Nm)		C-66
	5430	1284 oz-in. (9.07 Nm)	319-1222 oz-in. (2.25-8.63 Nm)		C-69
	5330		237-638 oz-in. (1.67-4.51 Nm)	158-225 oz-in. (1.12-1.59 Nm)	C-69
	5230		237-638 oz-in. (1.67-4.51 Nm)	112-225 oz-in. (.79-1.59 Nm)	C-74
<ul style="list-style-type: none"> • 4-phase bipolar chopper drive • Single power supply • Switch selectable current • Full and microstep operation • Idle current reduction • Mid-range instability compensation • Modular bipolar chopper drives • Easy to integrate • Microstep operation (except 5210) • PC board mountable (5210) • Modular bipolar chopper indexer/drive 	6410	1284 oz-in. (9.07 Nm)	319-1222 oz-in. (2.25-8.63 Nm)		C-7
	6420	1284 oz-in. (9.07 Nm)	319-1222 oz-in. (2.25-8.63 Nm)		C-28
	5210		237-638 oz-in. (1.67-4.51 Nm)	112-225 oz-in. (.79-1.59 Nm)	C-78
<ul style="list-style-type: none"> • Board level oscillator/drives • Velocity control from input • Adjustable accel/decel • Full and microstep operation 	6415	1284 oz-in. (9.07 Nm)	319-1222 oz-in. (2.25-8.63 Nm)		C-16

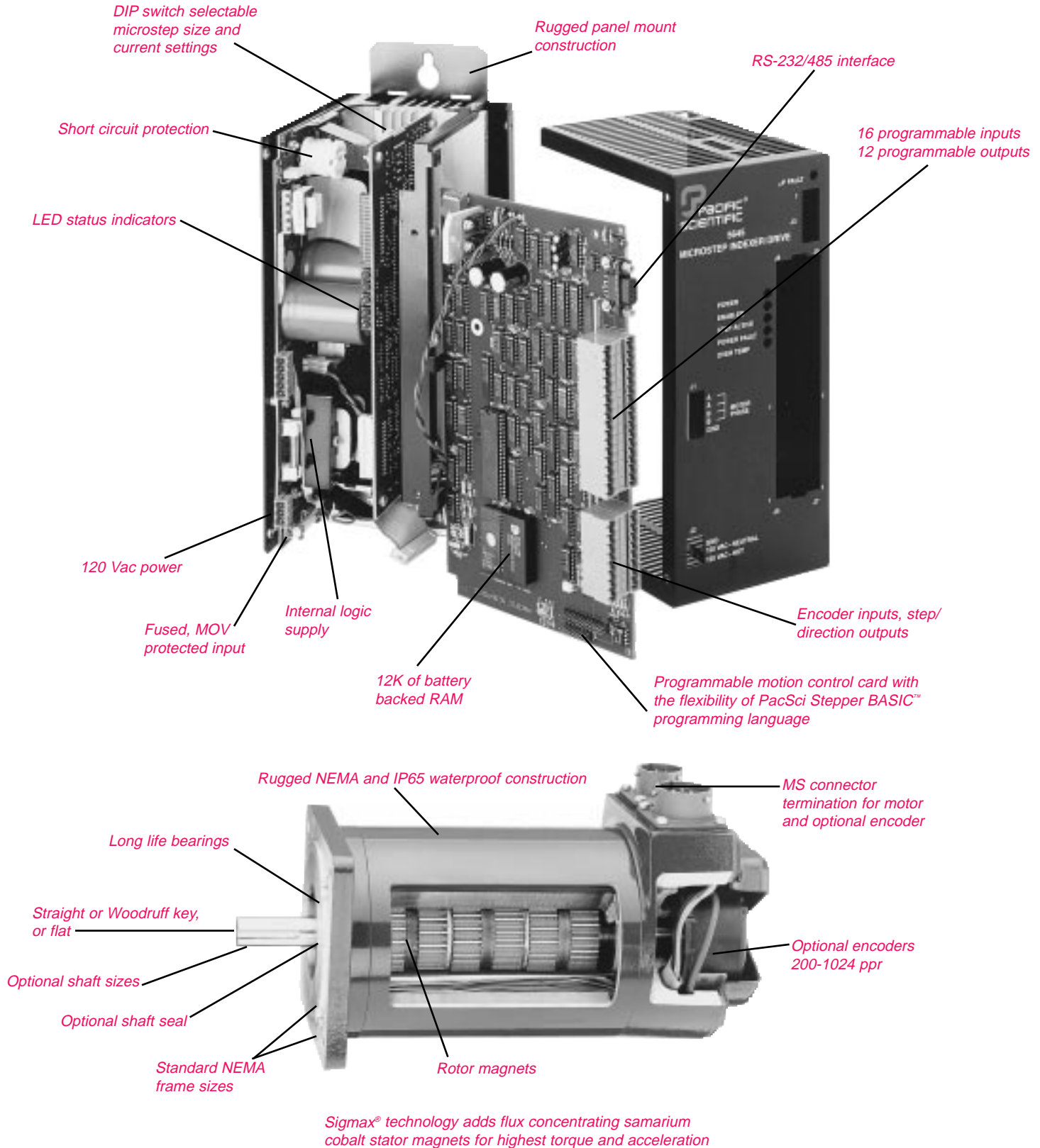
STEP MOTION CONTROL FROM PACSCI

From ready to run intelligent motion systems to economical board level drivers, Pacific Scientific has what you want.

Discover the performance of our patented magnetic and electronic innovations. Find out how easy software control can be with PacSci Stepper BASIC™.

For ultimate reliability, you can count on our integrated approach to design and manufacturing.

For overall value in step motion control, see your local PacSci distributor. You'll receive all the products and technical resources to assure a troublefree startup.



HOW TO ORDER...

MODEL NUMBER CODE:	5	6	45
Drive Type (family) _____			
6 - Stepper Drive (6000) [△]			
5 - Stepper Drive (5000)			
Power Level _____			
6 - 11.3 A peak, 8 A rms, 160 Vdc with integral power supply			
4 - 7.1 A peak, (6000 family only), 5 A rms 65 Vdc with integral power supply			
18 - 75 Vdc with user provided power supply			
3 - 2.5 A rms, 65 Vdc with integral power supply			
18 - 75 Vdc with user provided power supply			
2 - 2.5 A rms, 35 Vdc with integral power supply			
12 - 40 Vdc with user provided power supply			
Functionality & Drive Configuration _____			
45 - Indexer with PacSci Stepper Basic™ programming language			
Integral power supply			
40 - Indexer with mnemonic programming language			
Integral power supply			
30 - Integral power supply			
20 - Indexer with mnemonic programming language			
User provided power supply			
15 - Oscillator board			
User provided power supply			
10 - Driver only			
User provided power supply			

NOTE: Not all configurations are available with all power levels. Refer to Selection Overview on page C-3.

[△] To order options for 6410, see detailed ordering guide on page C-11.





Artisan Technology Group is your source for quality new and certified-used/pre-owned equipment

- FAST SHIPPING AND DELIVERY
- TENS OF THOUSANDS OF IN-STOCK ITEMS
- EQUIPMENT DEMOS
- HUNDREDS OF MANUFACTURERS SUPPORTED
- LEASING/MONTHLY RENTALS
- ITAR CERTIFIED SECURE ASSET SOLUTIONS

SERVICE CENTER REPAIRS

Experienced engineers and technicians on staff at our full-service, in-house repair center

*InstraView*SM REMOTE INSPECTION

Remotely inspect equipment before purchasing with our interactive website at www.instraview.com ↗

WE BUY USED EQUIPMENT

Sell your excess, underutilized, and idle used equipment. We also offer credit for buy-backs and trade-ins. www.artisanng.com/WeBuyEquipment ↗

LOOKING FOR MORE INFORMATION?

Visit us on the web at www.artisanng.com ↗ for more information on price quotations, drivers, technical specifications, manuals, and documentation

Contact us: (888) 88-SOURCE | sales@artisanng.com | www.artisanng.com