



Artisan Technology Group is your source for quality new and certified-used/pre-owned equipment

- FAST SHIPPING AND DELIVERY
- TENS OF THOUSANDS OF IN-STOCK ITEMS
- EQUIPMENT DEMOS
- HUNDREDS OF MANUFACTURERS SUPPORTED
- LEASING/MONTHLY RENTALS
- ITAR CERTIFIED SECURE ASSET SOLUTIONS

SERVICE CENTER REPAIRS

Experienced engineers and technicians on staff at our full-service, in-house repair center

*InstraView*SM REMOTE INSPECTION

Remotely inspect equipment before purchasing with our interactive website at www.instraview.com ↗

WE BUY USED EQUIPMENT

Sell your excess, underutilized, and idle used equipment. We also offer credit for buy-backs and trade-ins. www.artisanng.com/WeBuyEquipment ↗

LOOKING FOR MORE INFORMATION?

Visit us on the web at www.artisanng.com ↗ for more information on price quotations, drivers, technical specifications, manuals, and documentation

Contact us: (888) 88-SOURCE | sales@artisanng.com | www.artisanng.com



Equipped with a Hard-Disk Drive, this high-quality image digital surveillance recorder combines outstanding performance with upgrade capability.

Now Panasonic brings you the WJ-HD500A, the digital surveillance recorder equipped with a hard disk drive. The WJ-HD500A makes surveillance systems easier to use and more effective than ever. Hard disk benefits include high durability, elimination of image degradation caused by repeated recording and reproduction, ultra fast writing and retrieval, and no need to change or file video cassettes. The advanced triplex feature allows



simultaneous live monitoring, recording, and reproduction. The multiple-recording feature allows automatic recording of images from different times and

locations. Image search and retrieval is fast, and optional add-on units allow extended image recording from large surveillance systems. Optional boards also allow the WJ-HD500A to be

incorporated in 100Base-T LANs and WANs. Nothing does a better job combining advanced surveillance functions with the modular flexibility for today's surveillance applications.

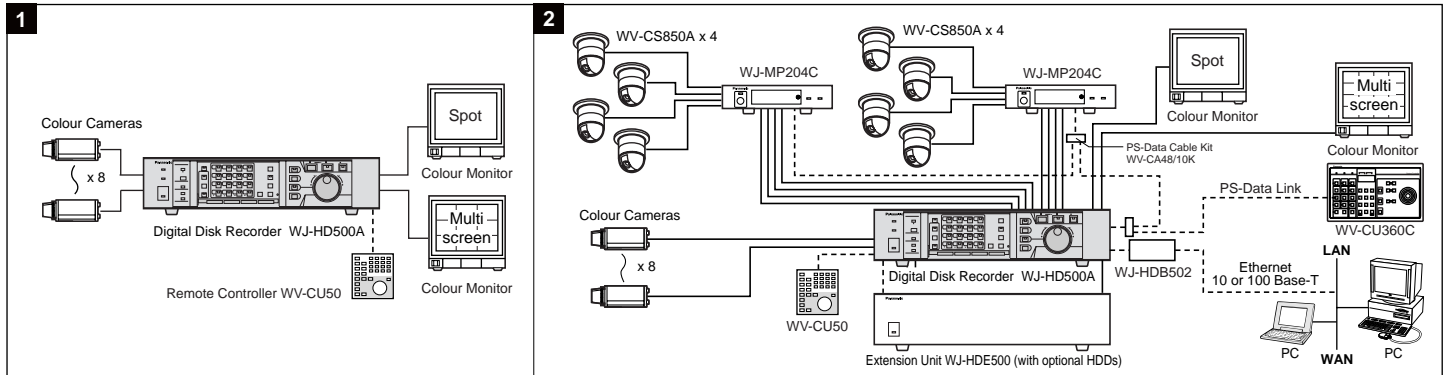
Key Features

- High quality pictures by DIGITAL recording.
- Built-in 80GB HDD, and plus 80GB can be added in one unit (160GB total).
- Up to 2,080GB expansion method with optional component units & HDDs.
- 4 (four) virtual recording system in one HDD for individual location.
- RAID level 1 (Mirroring) for reliability.
- 4 (four) way JPEG compression recording modes selectable.
- 720H x 576V (frame), 720H x 288V (field) pixels selectable.
- Built-in 16ch multiplex recording system.
 - Triplex mode (Live / Recording / Playback)
- 100Base-T Network interface capability by optional network board; WJ-HDB502.
- 3D scan conversion for stable freeze frame picture.
- Four programs / five timer schedules per recorder.
- Recording modes; 1 (one) shot rec, multi-shot rec and time-lapse rec.
- Quick search function (thumbnail, alarm list and direct modes)
- Motion detector function.
- Optional remote controller; WV-CU50 is available for easy operation.

MAJOR OPERATING CONTROLS

Front View			Rear View		
1 Remote LED	8 Camera Select Button (1-16)	15 Jog / Shuttle Dial	23 Lock Button	31 10 / 100 Base-T Connector	38 Control Connector
2 Timer LED	9 Set Up / ESC Button	16 REC Button	24 Spot / Multiscreen Button	(When optional board installed)	39 SCSI Connector (Ext. Storage)
3 Power LED	10 Copy Button	17 Play / Pause Button	25 Alarm LED	32 Serial Connector	40 Audio Out Connector
4 HDD LED	11 EL-Zoom Button	18 Stop Button	26 Alarm Reset Button	33 Video Sync Out Connector	41 Audio In Connector
5 FULL LED	12 Summer Time Indicator	19 Index Button	27 Switch Guard	34 Remote Terminal	42 Spot Out Connector
6 Sequence Button	13 Display Button	20 Group Select Button	28 Power Switch	35 PS-Data Terminal	43 Multi Screen Out Connector
7 Multiscreen Select Button	14 Alarm Search Button	21 Rec Preview Button	29 AC Inlet	36 SCSI Connector (Copy)	44 Camera In Connector (1-16)
		22 Rec Stop Button	30 Fan Unit	37 Alarm Connector	45 Camera Out Connector (1-16)

SYSTEM EXAMPLES



Disk Data Reference Chart Recording Interval : approx.1second (Colour PAL Signal, Audio Signal : Off) ■ more than 2,080GB HDD

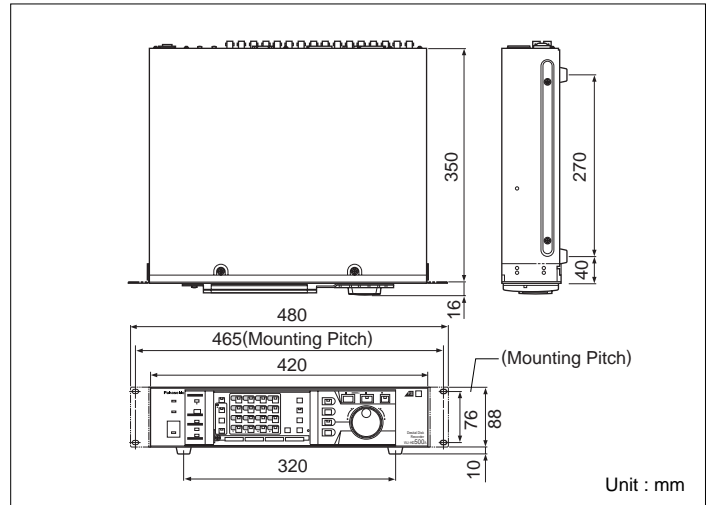
Camera Channel	Recording Time Mode		Hard Disk Drive (GB)					
	(hour)	(second)	24H (1-day)	48H (2-day)	168H (1-week)	720H (1-month)	1,440H (2-month)	
8	720H x 576V	Sampling Pixel Size	86,400s	172,800s	604,800s	2,592,000s	5,184,000s	
		Compression Mode	Super Fine	90	180	630	2700	5400
			Fine	54	108	378	1620	3240
			Normal	46	92	322	1380	2760
		Extended	Super Fine	24	48	168	720	1440
			Fine	46	92	322	1380	2760
	Normal		28	56	196	840	1680	
	720H x 288V	Normal	18	36	126	540	1080	
		Extended	14	28	98	420	840	
		720H x 576V	Super Fine	134	268	938	4020	8040
			Fine	82	164	574	2460	4920
			Normal	54	108	378	1620	3240
Extended		Super Fine	34	68	238	1020	2040	
	Fine	68	136	476	2040	4080		
	Normal	42	84	294	1260	2520		
720H x 288V	Normal	28	56	196	840	1680		
	Extended	20	40	140	600	1200		

Recording Interval : The recording interval is the length of time for which images from the same camera can be reproduced. When multiple cameras are used, the recording sequence and amount of time allocated to each camera can be pre-set to fit the available recording interval.

SPECIFICATIONS PAL

General	
Power Source	220V-240V AC, 50Hz
Power Consumption (approx)	58 W
Ambient Operating Temperature	5°C - 45°C
Standard Hard Disk Drive Unit	80 GB
Drive Bay for Optional HDD Unit	1 bay
Dimensions (W x H x D)	420 x 88 x 350 mm
Weight (approx.)	7.5 kg
Input / Output	
Video Input	16 terminals, 1V [p-p] / 75 Ω, PAL composite video signal with automatic termination / looping through (BNC)
Video Output	16 terminals, 1V [p-p] / 75 Ω, PAL composite video signal with looping through (BNC)
Spot Output	1 terminal, 1V [p-p] / 75 Ω (BNC)
Multi-screen Output	1 terminal, 1V [p-p] / 75 Ω (BNC)
Sync Output	1 VBS, 1V [p-p] / 75 Ω (BNC)
Audio Input	-10dB, unbalanced, monoaural (pin-jack)
Audio Output	-10dB, unbalanced, monoaural (pin-jack)
External Storage	SCSI Interface (D-sub, half pitch 50-pin)
Copy	SCSI Interface (D-sub, half pitch 50-pin)
Control Input / Output	Group 1-4 recording output, manual recording output, Emergency recording output, DVD/HDD level output, external storage unit emergency input, DVD extension unit, emergency input, unit emergency output, power inspection input, power off output, emergency recording input, time adjustment input, time adjustment output, sequence select output (D-sub, 25-pin)
Alarm Connector	1-16ch alarm input, alarm recover input, recording mode external input, alarm recover output, alarm output, sequence select output (D-sub, 25-pin)
Data	RS-485 (RJ-11)
Remote	2 wire system for specific remote controller
Serial Port	RS-232C (D-sub, 9-pin)
Network Interface Function	Option (WJ-HDB502)

DIMENSIONS



OPTIONAL COMPONENTS & ACCESSORIES

Remote Controller WV-CU50 	Extension Unit WJ-HDE500 (4 drive bays for HDD) Extension Unit WJ-HDE505 (4 drive bays for HDD with SCSI driver) 	Extension Unit WJ-HDE510 (2 drive bays for HDD plus DVD 4.7GB drive) 	Network Board WJ-HDB502 (10/100Base-T network interface) 	Viewer Softwares WV-AS50 (for DVD-RAM) WV-AS50A (for DVD-RAM/CD-R/FTP) Upgrade Softwares WJ-SHD500 (upgrade to Ver.1.6 for WJ-HD500) WJ-SHD500A (upgrade to Ver.2.0 for WJ-HD500A) 	System Controller WV-CU360C Data Multiplex Unit WJ-MP204C
--------------------------------------	---	--	--	---	--

• Weights and dimensions are approximate. • Specifications are subject to change without notice. • These products may be subject to export control regulations.

DISTRIBUTED BY:

Panasonic

Panasonic is the brandname of Matsushita Electric.
 Printed in Japan
 WJ-JKHD500T(2N-673D)

Artisan Technology Group - Quality Instrumentation ... Guaranteed | (888) 88-SOURCE | www.artisanTG.com



Artisan Technology Group is your source for quality new and certified-used/pre-owned equipment

- FAST SHIPPING AND DELIVERY
- TENS OF THOUSANDS OF IN-STOCK ITEMS
- EQUIPMENT DEMOS
- HUNDREDS OF MANUFACTURERS SUPPORTED
- LEASING/MONTHLY RENTALS
- ITAR CERTIFIED SECURE ASSET SOLUTIONS

SERVICE CENTER REPAIRS

Experienced engineers and technicians on staff at our full-service, in-house repair center

*InstraView*SM REMOTE INSPECTION

Remotely inspect equipment before purchasing with our interactive website at www.instraview.com ↗

WE BUY USED EQUIPMENT

Sell your excess, underutilized, and idle used equipment. We also offer credit for buy-backs and trade-ins. www.artisanng.com/WeBuyEquipment ↗

LOOKING FOR MORE INFORMATION?

Visit us on the web at www.artisanng.com ↗ for more information on price quotations, drivers, technical specifications, manuals, and documentation

Contact us: (888) 88-SOURCE | sales@artisanng.com | www.artisanng.com