



Artisan Technology Group is your source for quality new and certified-used/pre-owned equipment

- FAST SHIPPING AND DELIVERY
- TENS OF THOUSANDS OF IN-STOCK ITEMS
- EQUIPMENT DEMOS
- HUNDREDS OF MANUFACTURERS SUPPORTED
- LEASING/MONTHLY RENTALS
- ITAR CERTIFIED SECURE ASSET SOLUTIONS

SERVICE CENTER REPAIRS

Experienced engineers and technicians on staff at our full-service, in-house repair center

*InstraView*SM REMOTE INSPECTION

Remotely inspect equipment before purchasing with our interactive website at www.instraview.com ↗

WE BUY USED EQUIPMENT

Sell your excess, underutilized, and idle used equipment. We also offer credit for buy-backs and trade-ins. www.artisanng.com/WeBuyEquipment ↗

LOOKING FOR MORE INFORMATION?

Visit us on the web at www.artisanng.com ↗ for more information on price quotations, drivers, technical specifications, manuals, and documentation

Contact us: (888) 88-SOURCE | sales@artisanng.com | www.artisanng.com



p/n YPM08124

ACRIO Hardware Manual – Reverse Layout

Effective: October 7, 2002

This page intentionally left blank.

CHANGE NOTICE

ACRIO Hardware Manual P/N PM08124 Version Change:

From: Version 1.00, Dated 9/30/1999

To: Version 1.01, Dated 12/8/2001

1. Miscellaneous Added ACR8020 to document.
2. Page 8, Digital Output Sink/Source Select Added output driver IC source.
3. Page 16, Technical Specification Added operating temperature range.

Reverse Layout ACRIO Hardware Manual – Reverse Layout P/N PM08124 Version Change:

Version 1.00, Dated 9/30/1999, Released

TABLE OF CONTENTS

INTRODUCTION.....	1
CHAPTER 1	1
ACRIO MODULE HARDWARE SETUP.....	1
Chapter 1 Overview	2
ACRIO Module Jumpers.....	4
ACRIO Jumper Table List	4
Address Select Jumpers (J1 and J2).....	5
Digital Input Reference Select Jumpers (J3 and J4)	6
Digital Output Sink / Source Select Jumpers (J5 and J6)	8
ACRIO Module Hardware Wiring.....	10
ACRIO Auxiliary Digital Inputs / Outputs (AP3 / AP4)	11
ACRIO Digital I/O Power (PWR1)	13
CHAPTER 2	15
TECHNICAL SPECIFICATIONS	15
ACRIO Technical Specification.....	16
CHAPTER 3	17
ACRIO MECHANICAL DRAWINGS.....	17
ACRIO Module Mechanical Dimensions	18

TABLES

Table 1.1	ACRIO Address Select Jumpers	5
Table 1.2	ACRIO Digital Input Reference Jumpers	6
Table 1.3	ACRIO Digital Output Sink/Source Select Jumpers	8
Table 1.4	ACRIO Auxiliary Digital Output Connector	11
Table 1.5	ACRIO Auxiliary Digital Input Connector.....	12
Table 1.6	ACRIO Isolated Power Connector.....	13
Table 1.7	ACRIO Isolated Power Fuses	13

FIGURES

Figure 1.	Reverse Layout ACRIO Module Outline.....	3
Figure 2.	ACRIO Module Digital Input User Circuit.....	7
Figure 3.	ACRIO Module Digital Output User Circuit.....	9
Figure 4.	Reverse Layout ACRIO Mechanical Dimensions	18

INTRODUCTION

This document provides hardware connection information for the Acroloop Reverse Layout ACRIO Module. This board provides expanded I/O capabilities for the ACR1200, ACR2000, ACR8010 and ACR8020 motion controllers. An additional 32 Digital Inputs and 32 Digital Outputs are provided by this board. Up to four expanded I/O boards can be piggy-backed, for a total of 320 digital I/O.

The Reverse Layout ACRIO Module presents the Auxiliary Digital Input AP4 connector on the left side of the board and the Auxiliary Digital Output AP3 connector on the right side of the board.

WARNING: The Reverse Layout ACRIO Module is the opposite physical P3/P4 connector layout as compared to the ACR8000 I/O Expansion Board and ACR8000/ACR8010/ACR8020 Motherboards.

This page intentionally left blank.

CHAPTER 1

ACRIO MODULE HARDWARE SETUP

CHAPTER 1 OVERVIEW

The ACRIO Plug-In Module provides additional optically-isolated digital I/O capability for the ACR1200, ACR2000, ACR8010, and ACR8020 motherboards. The ACRIO module functions include 32 digital inputs and 32 digital outputs. Up to four ACRIO modules can be stacked to provide a total of 128 digital inputs and 128 digital outputs in addition to the standard 32 digital inputs and 32 digital outputs provided on the ACR8010/ACR8020 motherboard, and 16 digital inputs and 16 digital outputs provided on the ACR1200/ACR2000 motherboards.

This section contains diagrams of the jumpers and switches on the ACRIO module.

Factory default jumper settings for the ACRIO module are highlighted within the following jumper tables.

Isolated voltage (VEXT) refers to +24VDC.

WARNING

Wiring VEXT with the incorrect voltage will permanently damage the Digital I/O circuitry. The isolated voltage (VEXT) is +24VDC.

ACRIO MODULE HARDWARE SETUP

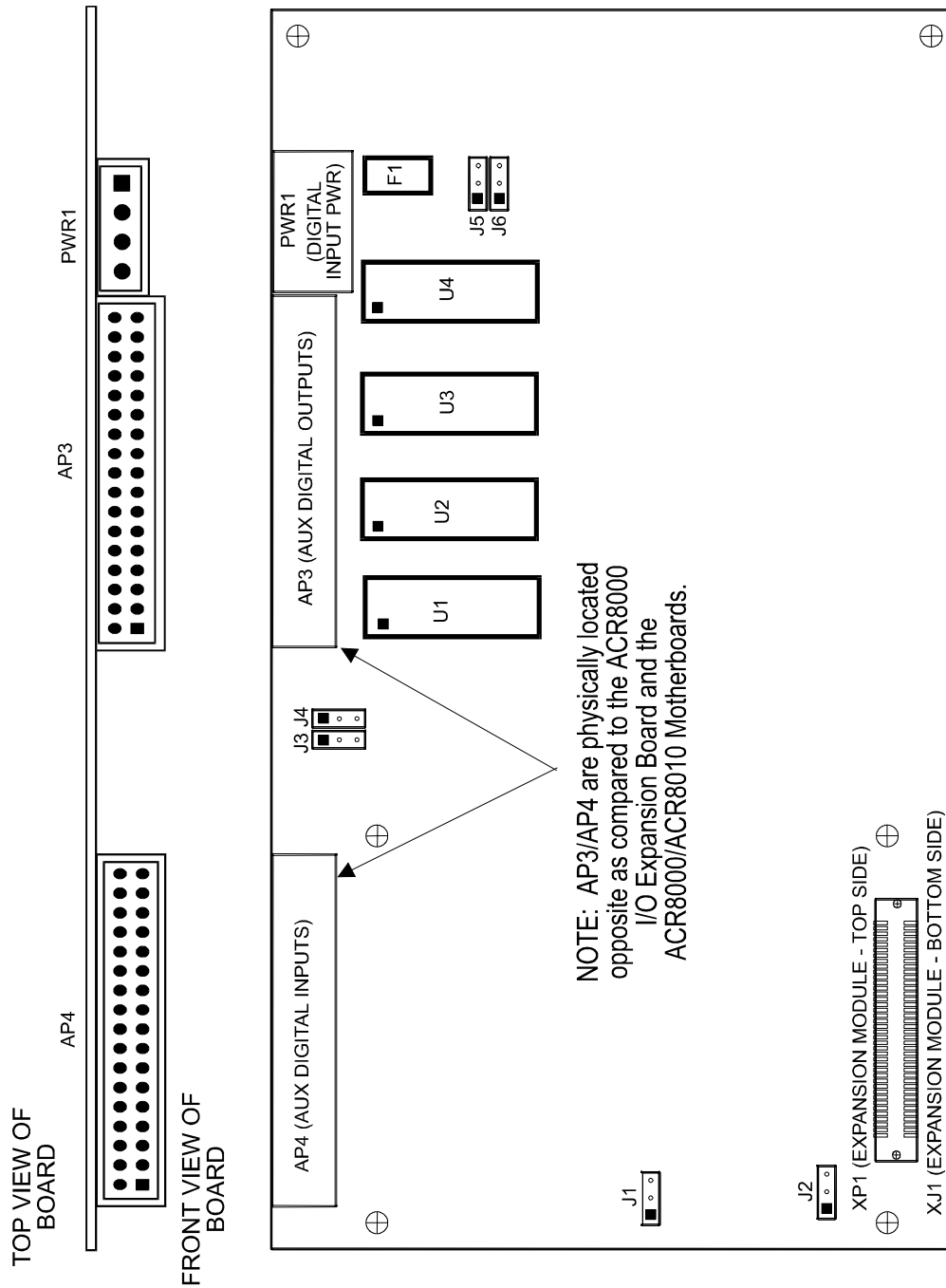


Figure 1. Reverse Layout ACRIO Module Outline

ACRIO MODULE JUMPERS

Jumper Table List

The following is a list of the jumper functions on the ACRIO Module:

JUMPER	JUMPER FUNCTION
J1	ACRIO Module Address Select (Page 5)
J2	ACRIO Module Address Select (Page 5)
J3	Digital Input Sink/Source Select (Page 6)
J4	Digital Input Sink/Source Select (Page 6)
J5	Digital Output Sink/Source Select (Page 8)
J6	Digital Output Sink/Source Select (Page 8)

Refer to Figure 1 for jumper location.

ACRIO MODULE JUMPERS

ACRIO Address Select Jumpers (J1 and J2)

These jumpers provide the address selection for the ACRIO module when one or more ACRIO modules are present. A maximum of four (4) modules can be stacked on an ACR1200/ACR2000/ACR8010/ACR8020 motherboard.

ACRIO Module Address Select		
Board No.	J1	J2
0	1-2	1-2
1	2-3	1-2
2	1-2	2-3
3	2-3	2-3

Table 1.1 ACRIO Address Select Jumpers

There are also four bits (bits 116 thru 119, Reference User's Guide, Miscellaneous Outputs Flags) which act as card enable control bits. The appropriate enable bit must be set for each ACRIO Module board number.

Refer to Figure 1 for jumper location.

ACRIO MODULE JUMPERS

Digital Input Reference Select Jumpers (J3 and J4)

These jumpers select the reference voltage to be used for the optically-isolated inputs. The reference voltage selected applies to all inputs; there are no combinations available.

Refer to Figure 1 for jumper location. Isolated voltage (VEXT) refers to +24VDC.

WARNING

Wiring VEXT with the incorrect voltage will permanently damage the Digital I/O circuitry. The isolated voltage (VEXT) is +24VDC.

Digital Input Reference Jumper				
Input Type	Reference Voltage	J3	J4	User Supplies
Sinking	Reference Inputs to +24VDC Isolated Voltage (VEXT)	1-2	1-2	Path to GEXT
Sourcing	Reference Inputs to Isolated Common (GEXT)	2-3	2-3	Path to VEXT

Table 1.2 ACRIO Digital Input Reference Jumpers

ACRIO MODULE JUMPERS



USER CIRCUIT	JUMPER POSITIONS
<p style="text-align: center;">Sink Input</p> 	<p>J3-1 to J3-2 J4-1 to J4-2</p>
<p style="text-align: center;">Source Input +24VDC Isolated Voltage (VEXT)</p> 	<p>J3-2 to J3-3 J4-2 to J4-3</p>


Figure 2. ACRIO Module Digital Input User Circuit

ACRIO MODULE JUMPERS

Digital Output Sink/Source Select Jumpers (J5 and J6)

These jumpers are set at the factory based on the type of the output drivers, IC's U1 thru U4. The selected type of the output driver applies to all outputs; there are no combinations available.

Isolated voltage (VEXT) refers to +24VDC.

 WARNING

Wiring VEXT with the incorrect voltage will permanently damage the Digital I/O circuitry. The isolated voltage (VEXT) is +24VDC.

Selecting the wrong jumper settings for the type of output drivers installed on the board will permanently damage the output driver IC's (U1 thru U4). The output drivers are installed at the factory, based on the Sinking or Sourcing Option selected when ordering the board.

Refer to Figure 1 for jumper location.

Digital Output Sink/Source Select Jumpers				
Output Type	Output Driver IC Type Installed (U1 thru U4) (See Warning Above)	J5	J6	User Supplies
Sink	Motorola / ST Micro ULN2803	1-2	1-2	Path to +24VDC (VEXT)
Source	Allegro UDN2981A	2-3	2-3	Path to GEXT

Table 1.3 ACRIO Digital Output Sink/Source Select Jumpers

ACRIO MODULE JUMPERS

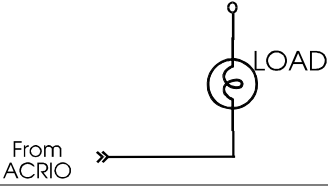
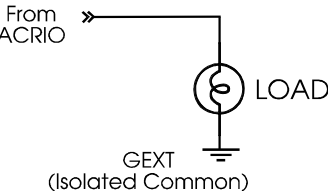
USER CIRCUIT	JUMPER POSITIONS
<p>Sink Output</p> <p>+24VDC Isolated Voltage (VEXT)</p>  <p>From ACRIO</p>	<p>J5-1 to J5-2 J6-1 to J6-2</p>
<p>Source Output</p>  <p>From ACRIO</p> <p>GEXT (Isolated Common)</p>	<p>J5-2 to J5-3 J6-2 to J6-3</p>

Figure 3. ACRIO Module Digital Output User Circuit

ACRIO MODULE HARDWARE WIRING

This section contains diagrams of the connectors on the ACRIO module.

ACRIO MODULE HARDWARE WIRING

Auxiliary Digital Inputs / Outputs (AP3 / AP4)

There are two 34 pin headers provided on the ACRIO expansion board for the auxiliary digital I/O interface. One of the 34 pin headers is used for the auxiliary 32 Digital Inputs and the second is used for the auxiliary 32 Digital Outputs. Refer to Figure 1 for connector location.

WARNING: The Reverse Layout ACRIO Module is the opposite physical P3/P4 connector layout as compared to the ACR8000 Expansion I/O Board and ACR8000/ACR8010/ACR8020 Motherboards.

Note: AP3 and AP4 are 34-pin shrouded male headers.

AP3--Digital Outputs			
Usage	Pin	Usage	Pin
OUT-32	1	OUT-33	2
OUT-34	3	OUT-35	4
OUT-36	5	OUT-37	6
OUT-38	7	OUT-39	8
OUT-40	9	OUT-41	10
OUT-42	11	OUT-43	12
OUT-44	13	OUT-45	14
OUT-46	15	OUT-47	16
OUT-48	17	OUT-49	18
OUT-50	19	OUT-51	20
OUT-52	21	OUT-53	22
OUT-54	23	OUT-55	24
OUT-56	25	OUT-57	26
OUT-58	27	OUT-59	28
OUT-60	29	OUT-61	30
OUT-62	31	OUT-63	32
N/C	33	N/C	34

Table 1.4 ACRIO Auxiliary Digital Output Connector

ACRIO MODULE HARDWARE WIRING

Digital Inputs / Outputs, Continued

AP4 -- Digital Inputs			
Usage	Pin	Usage	Pin
INP-00	1	INP-01	2
INP-02	3	INP-03	4
INP-04	5	INP-05	6
INP-06	7	INP-07	8
INP-08	9	INP-09	10
INP-10	11	INP-11	12
INP-12	13	INP-13	14
INP-14	15	INP-15	16
INP-16	17	INP-17	18
INP-18	19	INP-19	20
INP-20	21	INP-21	22
INP-22	23	INP-23	24
INP-24	25	INP-25	26
INP-26	27	INP-27	28
INP-28	29	INP-29	30
INP-30	31	INP-31	32
N/C	33	N/C	34


Table 1.5 ACRIO Auxiliary Digital Input Connector

ACRIO MODULE HARDWARE WIRING

Digital I/O Power (PWR1)

PWR1 is the connection on the ACRIO expansion board for the user supplied voltage for the Auxiliary Digital Inputs and Digital Outputs and should be wired to the isolated voltage (VEXT) as shown in the table below. Refer to Figure 1 for connector location.

Isolated voltage (VEXT) refers to +24VDC.

 WARNING
<p>Wiring VEXT with the incorrect voltage will permanently damage the Digital I/O circuitry. The isolated voltage (VEXT) is +24VDC.</p>

Note: PWR1 is a 4-pin male Weidmuller plug.

PWR1 Isolated Power Connector	
Usage	Pin
Isolated Common (GEXT)	1
Isolated Common (GEXT)	2
+24VDC Isolated Voltage (VEXT)	3
+24VDC Isolated Voltage (VEXT)	4

Table 1.6 ACRIO Isolated Power Connector

Isolated Power Fuse			
Fuse	Circuit	Amps	Littelfuse Part No.
F1	VEXT	4	154.004

Table 1.7 ACRIO Isolated Power Fuses

This page intentionally left blank.

CHAPTER 2

TECHNICAL SPECIFICATIONS

ACRIO TECHNICAL SPECIFICATION

ITEM	SPECIFICATION
External I/O Power Supply Requirements:	+24 VDC (+3/-6VDC) @ 4A
Operating Temperature:	0°C to 50°C (32°F to 122°F)
Humidity:	0 to 95%, Non-Condensing
Digital Inputs:	32 Optically Isolated (standard) @ External Voltage Sinking or Sourcing Available Activates on 10mA per input
Digital Outputs:	32 Optically Isolated (standard) Open-Collector Sinking or Sourcing Type Available Output Loads: 32 Outputs @ 50 mA continuously, each or Up to 12 Outputs @ 125mA continuously, each, distributed across the four (4) output drivers, as follows: up to 3 between OUT32 and OUT39 up to 3 between OUT40 and OUT47 up to 3 between OUT48 and OUT55 up to 3 between OUT56 and OUT63

CHAPTER 3

ACRIO MECHANICAL DRAWINGS

ACRIO MODULE MECHANICAL DIMENSIONS

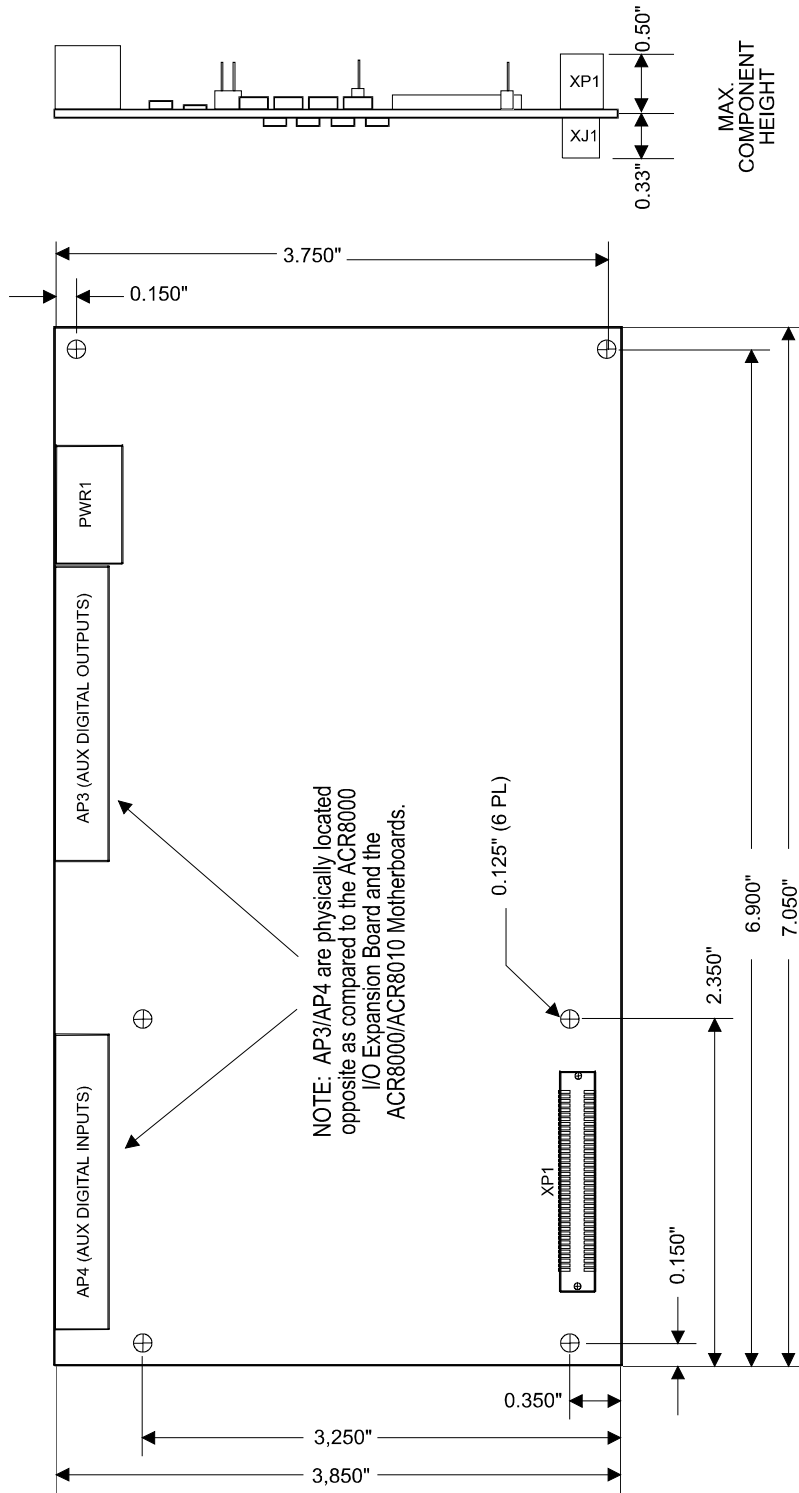


Figure 4. Reverse Layout ACRIO Mechanical Dimensions



Artisan Technology Group is your source for quality new and certified-used/pre-owned equipment

- FAST SHIPPING AND DELIVERY
- TENS OF THOUSANDS OF IN-STOCK ITEMS
- EQUIPMENT DEMOS
- HUNDREDS OF MANUFACTURERS SUPPORTED
- LEASING/MONTHLY RENTALS
- ITAR CERTIFIED SECURE ASSET SOLUTIONS

SERVICE CENTER REPAIRS

Experienced engineers and technicians on staff at our full-service, in-house repair center

*InstraView*SM REMOTE INSPECTION

Remotely inspect equipment before purchasing with our interactive website at www.instraview.com ↗

WE BUY USED EQUIPMENT

Sell your excess, underutilized, and idle used equipment. We also offer credit for buy-backs and trade-ins. www.artisanng.com/WeBuyEquipment ↗

LOOKING FOR MORE INFORMATION?

Visit us on the web at www.artisanng.com ↗ for more information on price quotations, drivers, technical specifications, manuals, and documentation

Contact us: (888) 88-SOURCE | sales@artisanng.com | www.artisanng.com