



## Artisan Technology Group is your source for quality new and certified-used/pre-owned equipment

- FAST SHIPPING AND DELIVERY
- TENS OF THOUSANDS OF IN-STOCK ITEMS
- EQUIPMENT DEMOS
- HUNDREDS OF MANUFACTURERS SUPPORTED
- LEASING/MONTHLY RENTALS
- ITAR CERTIFIED SECURE ASSET SOLUTIONS

### SERVICE CENTER REPAIRS

Experienced engineers and technicians on staff at our full-service, in-house repair center

### *InstraView*<sup>SM</sup> REMOTE INSPECTION

Remotely inspect equipment before purchasing with our interactive website at [www.instraview.com](http://www.instraview.com) ↗

### WE BUY USED EQUIPMENT

Sell your excess, underutilized, and idle used equipment. We also offer credit for buy-backs and trade-ins. [www.artisanng.com/WeBuyEquipment](http://www.artisanng.com/WeBuyEquipment) ↗

### LOOKING FOR MORE INFORMATION?

Visit us on the web at [www.artisanng.com](http://www.artisanng.com) ↗ for more information on price quotations, drivers, technical specifications, manuals, and documentation

**Contact us:** (888) 88-SOURCE | [sales@artisanng.com](mailto:sales@artisanng.com) | [www.artisanng.com](http://www.artisanng.com)

## Compax S servo controller with integral power supply

The Compax S is a packaged version of the Compax M unit integrated with a direct-on-line power supply in a rugged industrial housing. There are three models in the Compax S series, rated at 2.5kVA, 4.5kVA and 8.5kVA. Each model is functionally identical to the Compax M, and with the exception of the details listed below, the specification of the Compax M applies also to the Compax S. Motor performance is identical to the corresponding SV2500S, SV4500S or SV8500S drive

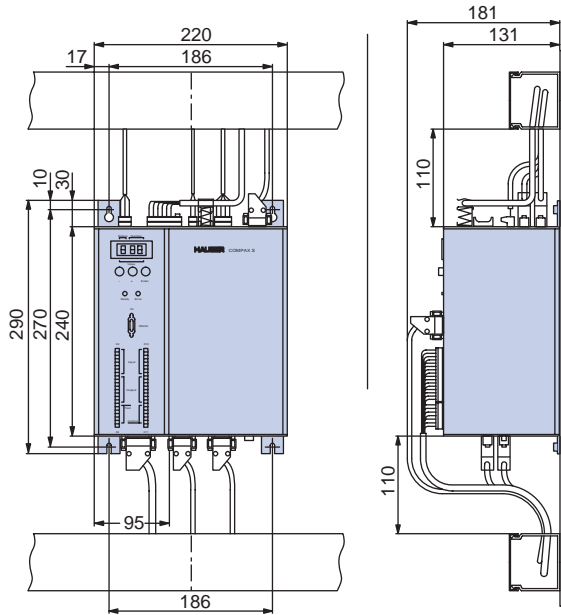
The power supply in the two larger drives is designed to operate directly from standard three-phase supplies in the 400V range, and it incorporates an internal dynamic braking resistor. The 2.5kVA unit may be powered from either single or three-phase supplies in the 100 to 230V range and has an optional external braking resistor. The front panel of the Compax 2500S may be re-orientated to change from a wide to a narrow mounting aspect (see dimension drawings).



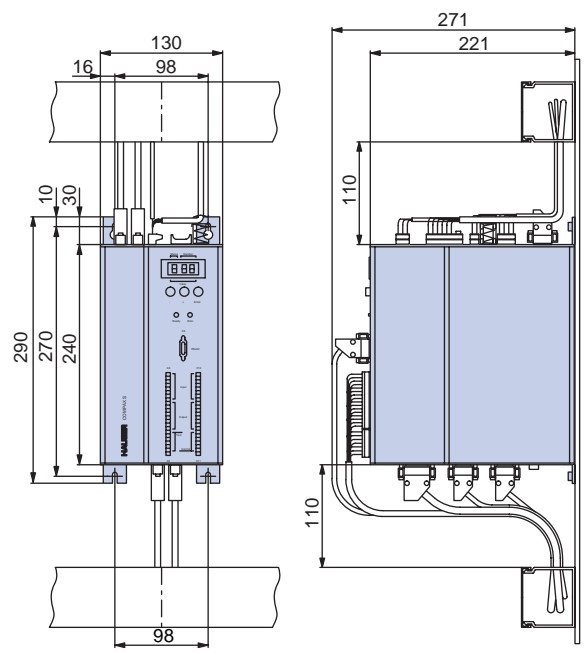
### Main drive ratings

	<i>Compax 2500S</i>	<i>Compax 4500S</i>	<i>Compax 8500S</i>
Continuous output current, Arms	6.3	6.5	12.5
Peak output current (<5s), Arms	12.6	13	25
Continuous power kVA	2.5	4.5	8.5
AC supply voltage range, V	100-230 (1 or 3 $\phi$ )	380 - 480 (3 $\phi$ )	380-480 (3 $\phi$ )
Supply voltage tolerance	+10% -15%	+5% -10%	+5% -10%
AC supply frequency, Hz	45-65	45-65	45-65
DC Control voltage, V	+24, external only	+24, built-in or external	+24, built-in or external
DC Brake supply	External	2A at 24V built-in	2A at 24V built-in
Dynamic braking resistor	56 $\Omega$ 1kW, external	300W, internal	300W, internal
DC bus capacitance, $\mu$ F	1000	330	500
Storable energy at nom. AC in, Ws	27	52	80
Max. power dissipation, W	80	170	170
Cooling	Convection	Fan	Fan
Weight, kg	4.7	5.2	5.2

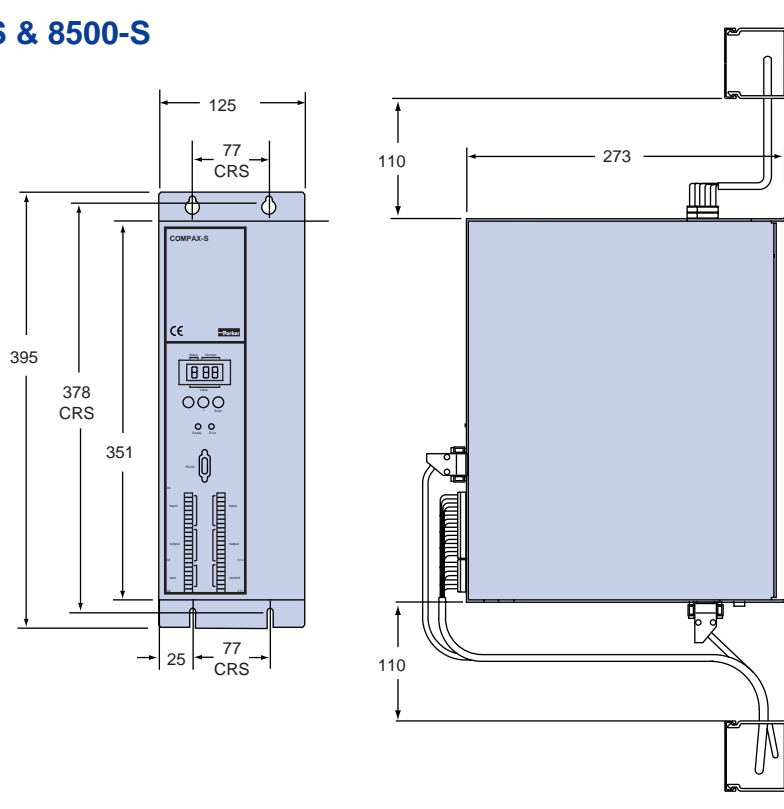
Compax 2500-S dimensions wide aspect



Compax 2500-S dimensions narrow aspect



Compax 4500-S & 8500-S





## Artisan Technology Group is your source for quality new and certified-used/pre-owned equipment

- FAST SHIPPING AND DELIVERY
- TENS OF THOUSANDS OF IN-STOCK ITEMS
- EQUIPMENT DEMOS
- HUNDREDS OF MANUFACTURERS SUPPORTED
- LEASING/MONTHLY RENTALS
- ITAR CERTIFIED SECURE ASSET SOLUTIONS

### SERVICE CENTER REPAIRS

Experienced engineers and technicians on staff at our full-service, in-house repair center

### *InstraView*<sup>SM</sup> REMOTE INSPECTION

Remotely inspect equipment before purchasing with our interactive website at [www.instraview.com](http://www.instraview.com) ↗

### WE BUY USED EQUIPMENT

Sell your excess, underutilized, and idle used equipment. We also offer credit for buy-backs and trade-ins. [www.artisanng.com/WeBuyEquipment](http://www.artisanng.com/WeBuyEquipment) ↗

### LOOKING FOR MORE INFORMATION?

Visit us on the web at [www.artisanng.com](http://www.artisanng.com) ↗ for more information on price quotations, drivers, technical specifications, manuals, and documentation

**Contact us:** (888) 88-SOURCE | [sales@artisanng.com](mailto:sales@artisanng.com) | [www.artisanng.com](http://www.artisanng.com)